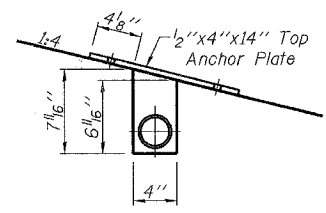
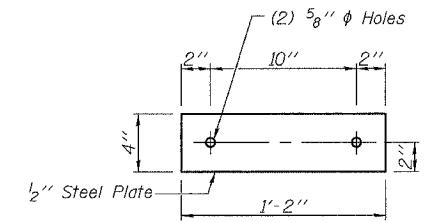
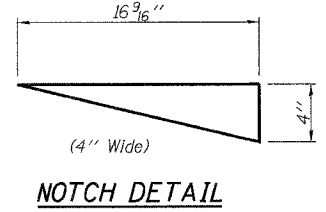
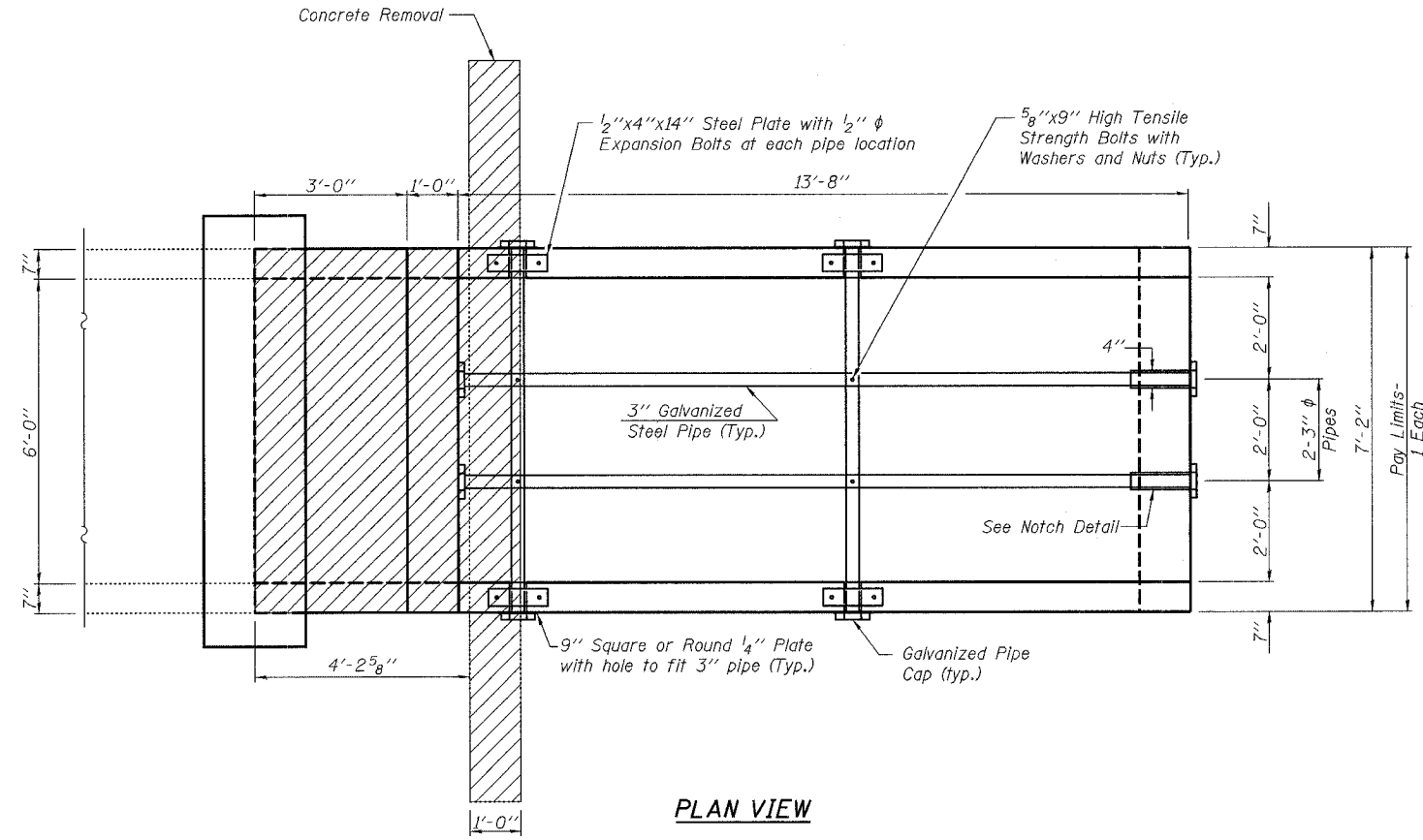


F.A.P. RTE.	SECTION	COUNTY	TOTAL SHEETS	SHEET NO.
•	**	STEPHENSON	174	75
STA.		TO STA.		
FED. ROAD DIST. NO. ILLINOIS FED. AID PROJECT				
*FAP 505 (IL 75) CONTRACT NO. 64C32				
**110RS-1, 111RS-3				



**BILL OF MATERIAL**

DESCRIPTION	UNIT	QTY.
Box Culvert End Section, Culvert No. 2	Each	1
Precast Concrete Box Culvert 6x2	Foot	3
Concrete Removal	Cu. Yd.	3.2

**GENERAL NOTES:**

Bolts, Nuts, and Washers shall be in accordance with Article 1006.08 of the standard specification and shall be galvanized.

The contract unit price "Each" for Box Culvert End Section, Culvert No. 2 shall include the Galvanized Pipe, Bolts, Nuts, Washers, and Steel Plates, and all applicable work according to Section 540 of the Standard Specifications.

Steel Pipes shall conform to A.S.T.M. A-53 (Type E or S) Grade B, Schedule 40. Contractor shall field verify pipe length.

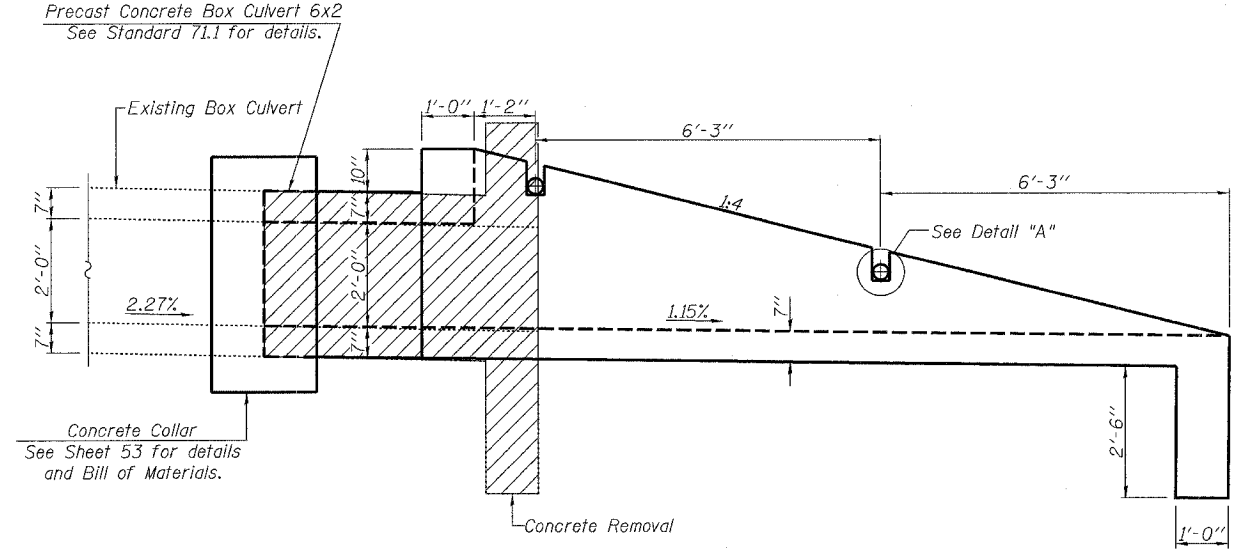
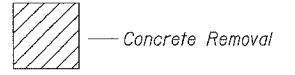
Steel Plates shall conform to AASHTO M 270 and shall be galvanized conforming to AASHTO M-111.

See Plan and Profile Sheet 27 of 174 for more information.

The Contractor shall submit four copies of the required shop drawings for review and approval to the Bureau of Bridges and Structures, 2300 South Dirksen Parkway, Springfield, IL. 62764. After approval of initial submittal, the contractor shall submit one set of shop drawings to the Engineer of Materials, 126 East Ash Street, Springfield, IL. 62706, and eight (8) sets of shop drawings, to be distributed to:

- District 2 District Engineer (1)
- Fabricator (1)
- Contractor (1)
- Resident Engineer (2)
- District Bureau of Materials (2)

**LEGEND:**



BOX CULVERT END SECTIONS ARE TO BE PRECAST. CONTRACTOR HAS THE OPTION OF USING CAST-IN-PLACE END SECTIONS. FOR EITHER TYPE OF END SECTION, THE CONTRACTOR IS REQUIRED TO SUBMIT DESIGN CALCULATIONS TO BE APPROVED BY THE ENGINEER. THE DESIGN CALCULATIONS SHALL BE PREPARED AND SEALED BY AN ILLINOIS LICENSED STRUCTURAL ENGINEER. IF THE CONTRACTOR ELECTS TO USE CAST-IN-PLACE END SECTIONS, NO ADJUSTMENTS IN COSTS OF THE END SECTIONS WILL BE ALLOWED.

<p>Excellence through Ownership</p> <p>200 West Front Street Wheaton, IL 60187</p>	<p>ILLINOIS DEPARTMENT OF TRANSPORTATION</p> <p>F.A.P. ROUTE 505 (IL 75) ILLINOIS ROUTE 75 BOX CULVERT END SECTION, CULVERT NO. 2 RT. STA. 10225+53.42</p>
	<p>DATE: 12/6/06</p> <p>DRAWN BY JMT CHECKED BY WJV</p>