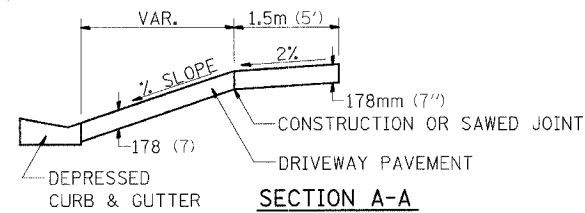
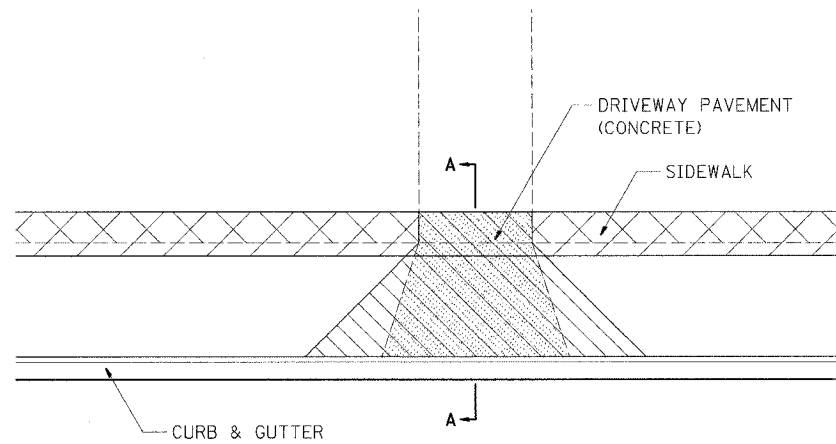


F.A.P. RTE.	SECTION	COUNTY	TOTAL SHEETS	SHEET NO.
505	110RS-1, 111RS-3	STEPHENSON	174	82
STA.	TO STA.			
FED. ROAD DIST. NO.	ILLINOIS	FED. AID PROJECT		

SIDEWALK AND DRIVEWAY PAVEMENT PAY AREAS

- PAY FOR AS**
- SIDEWALK REMOVAL
 - DRIVEWAY PAVEMENT REMOVAL
 - PCC SIDEWALK 127 (5)
 - PCC DRIVEWAY PAVEMENT 178 (7)

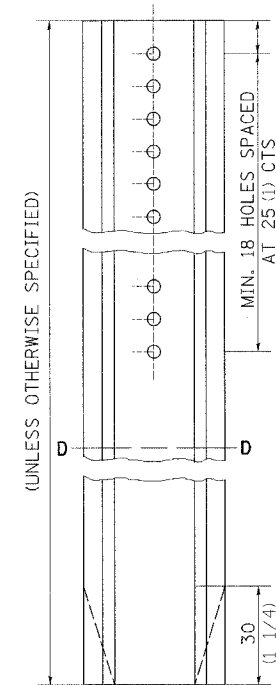
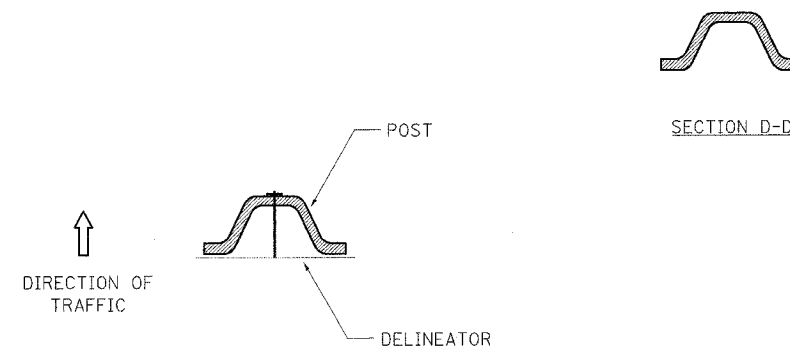


FOR DETAILS ON DIMENSIONS AND GRADES, SEE DISTRICT STANDARD 25.1 OR PLANS.
ALL DIMENSIONS ARE IN MILLIMETERS (INCHES) UNLESS OTHERWISE NOTED.

SIDEWALK AND DRIVEWAY PAVEMENT PAY AREAS 35.4

REVISED 10-15-04

DELINEATOR AND POST ORIENTATION



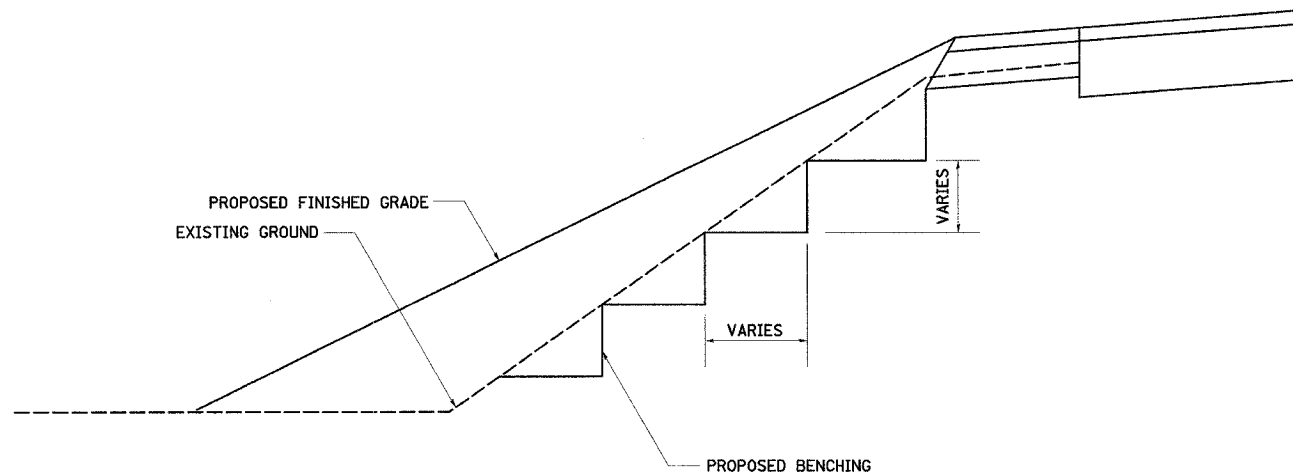
DELINEATORS SHALL BE INSTALLED ACCORDING TO STANDARD 635001 EXCEPT THAT THE POST SHALL BE ROTATED 180°. THE POST WILL HAVE THE WIDE SIDE FACING TRAFFIC AND THE DELINEATOR ATTACHED AS SHOWN ABOVE.

ALL DIMENSIONS ARE IN MILLIMETERS (INCHES) UNLESS OTHERWISE NOTED.

DELINEATOR AND POST ORIENTATION 37.4

REVISED 1-31-00

TYPICAL BENCHING ON EXISTING EMBANKMENT

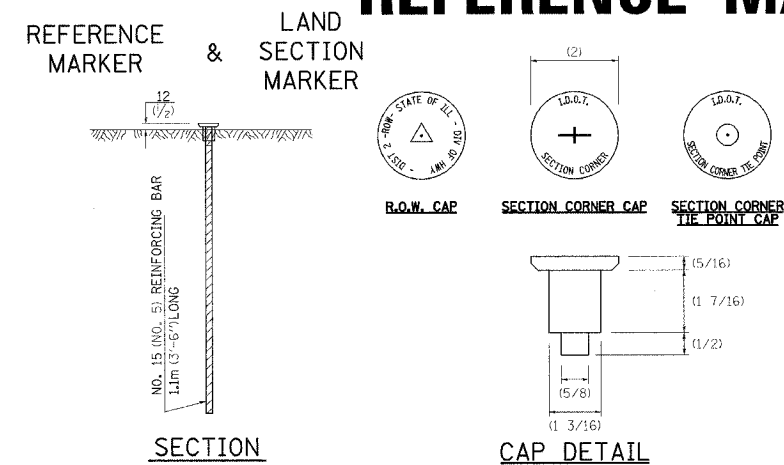


TYPICAL BENCHING ON EXISTING EMBANKMENT 50.4

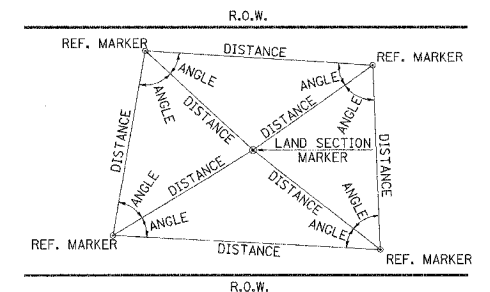
REVISED 2-22-06

PLOT DATE = 12/14/2006
FILE NAME = REFLEL1
PLOT SCALE = 1:500
REFERENCE = REF#9

LAND SECTION & REFERENCE MARKERS



METHOD OF REFERENCING MARKERS



METHOD OF REFERENCING POINTS

REFERENCE MARKERS SHALL BE USED TO TIE IN PERMANENT LAND SECTION AND 1/4 SECTION CORNERS. WHERE LAND SECTION MARKERS FALL IN THE SHOULDERS OR GRAVEL SURFACES, THE TOP OF THE BAR SHALL BE KEPT 75 (3) BELOW THE SURFACE. LAND SECTION MARKERS LOCATED IN TRAFFIC LANES SHALL NOT BE REPLACED.

METAL CAPS SHALL BE PLACED ON TOP OF THE REINFORCEMENT BAR. THERE ARE 3 TYPES OF CAPS, ONE FOR THE RIGHT-OF-WAY CORNERS, ONE FOR THE SECTION CORNERS AND ONE FOR THE SECTION CORNER TIE POINTS. THE CAPS WILL BE SUPPLIED BY IDOT, CALL CHIP CORDELL (815) 284-5370 A MINIMUM OF ONE WEEK BEFORE THE CAPS ARE NEEDED

- USE INSTRUMENT TIES TO NEARBY LAND-MARKS (STEEPLES, TOWERS, SILOS, ETC...)
- IN CULTIVATED FIELDS, SET 600(2') OR MORE BELOW GROUND SURFACE.
- IN FENCE LINE OR PROTECTED AREA SET TOP AT GROUND LEVEL.

ALL DIMENSIONS ARE IN MILLIMETERS (INCHES) UNLESS OTHERWISE NOTED.

LAND SECTION & REFERENCE MARKERS 63.4

REVISED 4-22-05