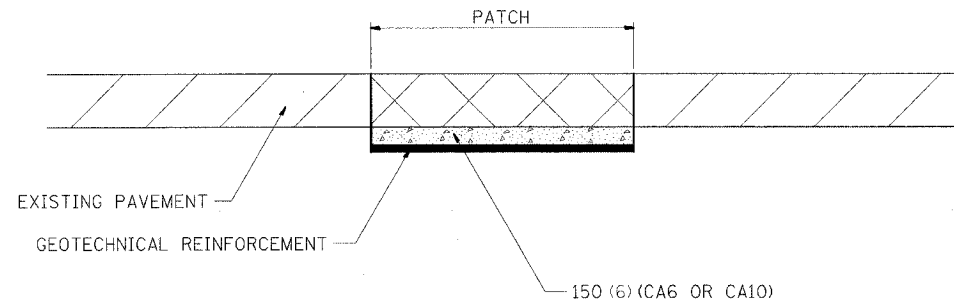


F.A.P. RTE.	SECTION	COUNTY	TOTAL SHEETS	SHEET NO.
505	110RS-1, 111RS-3	STEPHENSON	174	83
STA.		TO STA.		
FED. ROAD DIST. NO.		ILLINOIS FED. AID PROJECT		

SUBGRADE REPLACEMENT



NOTES:

The Engineer will determine which patches will require Subgrade Replacement, generally when the C_u of the Subgrade $< 0.3T_{SF}$ or if patch density is questionable.

UNSTABLE SUBGRADE MATERIAL SHALL BE REMOVED AND DISPOSED OF BY THE CONTRACTOR.

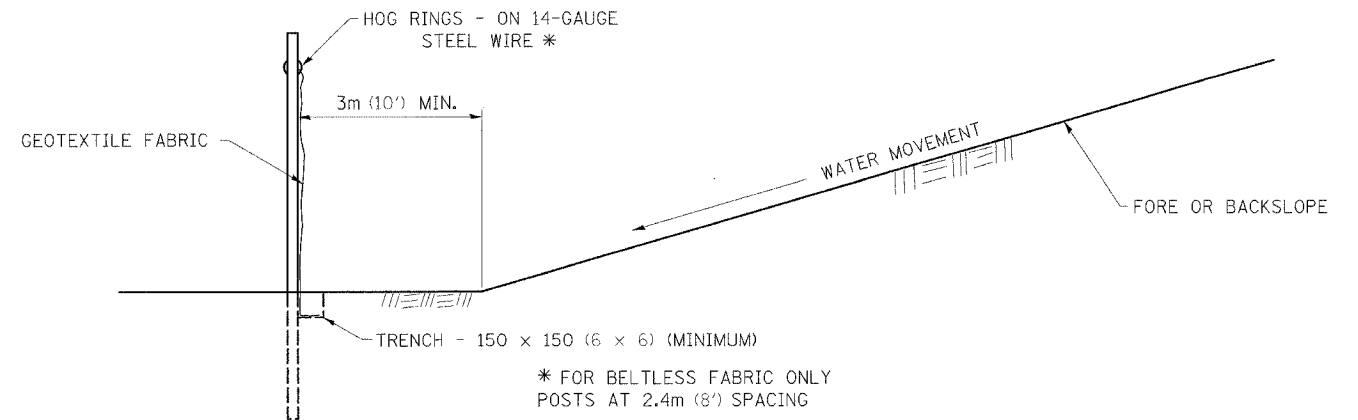
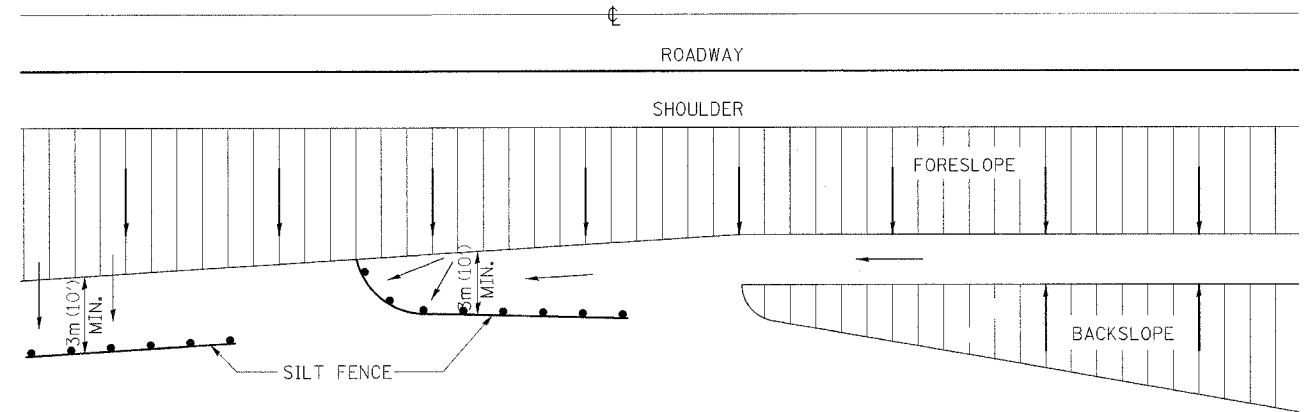
This work will be paid for at the contract unit price per m^3 (CU. YD.) for GRANULAR SUBGRADE REPLACEMENT and per m^2 (SQ. YD.) for GEOTECHNICAL REINFORCEMENT.

ALL DIMENSIONS ARE IN MILLIMETERS (INCHES) UNLESS OTHERWISE NOTED.

SUBGRADE REPLACEMENT 97.4

REVISED 4-23-93

EROSION CONTROL DETAILS FOR SILT FENCE

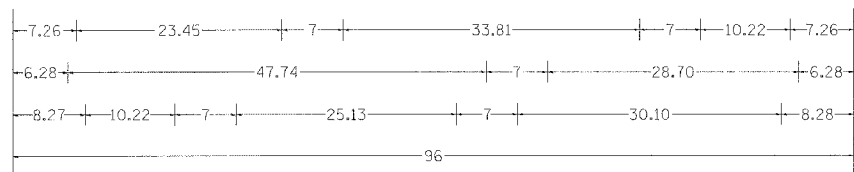


DETAILS OF SILT FENCE

ALL DIMENSIONS ARE IN MILLIMETERS (INCHES) UNLESS OTHERWISE NOTED.

EROSION CONTROL DETAILS FOR SILT FENCE 29.2

REVISED 10-22-01



3.00" Radius, 1.25" Border, 0.75" Indent, Black on White;
"ROAD" D 2K; "CLOSED" D 2K; "TO" D 2K; "OVERSIZED LOADS" D 2K; "XX MILES AHEAD" D 2K;
Table of letter and object lefts.

R	O	A	D	C	L	O	S	E	D	T	O		
7.26	13.07	18.95	25.95	37.71	44.01	49.26	55.28	61.23	66.76	78.52	83.77		
O	V	E	R	S	I	Z	E	D	L	O	A	D	S
6.28	12.16	18.53	24.06	29.52	35.47	37.78	43.73	49.26	61.02	66.27	72.15	79.15	84.96
X	M	I	L	E	S	A	H	E	A	D			
8.27	13.73	25.49	32.63	35.43	40.82	45.86	57.62	64.62	71.06	75.96	82.96		

PLOT DATE = 12/7/2006
FILE NAME = FILEL9
PLOT SCALE = 1/80
REFERENCE = REF9