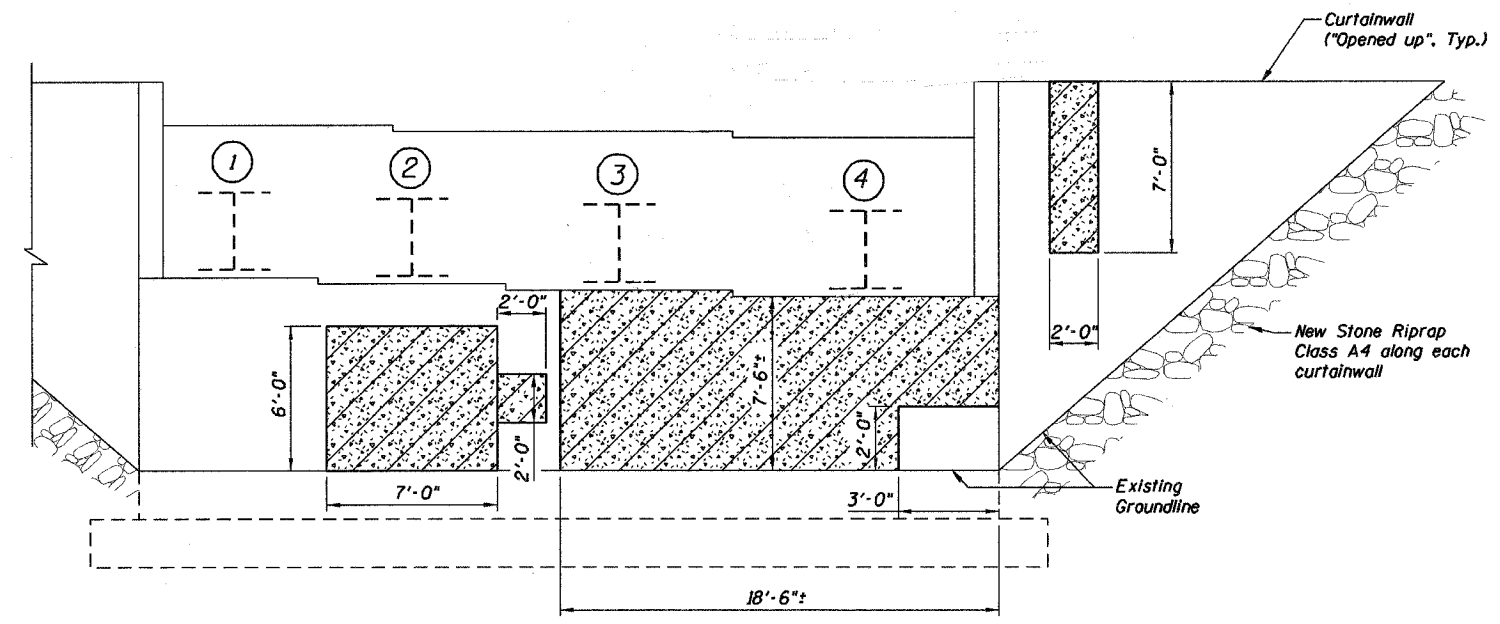
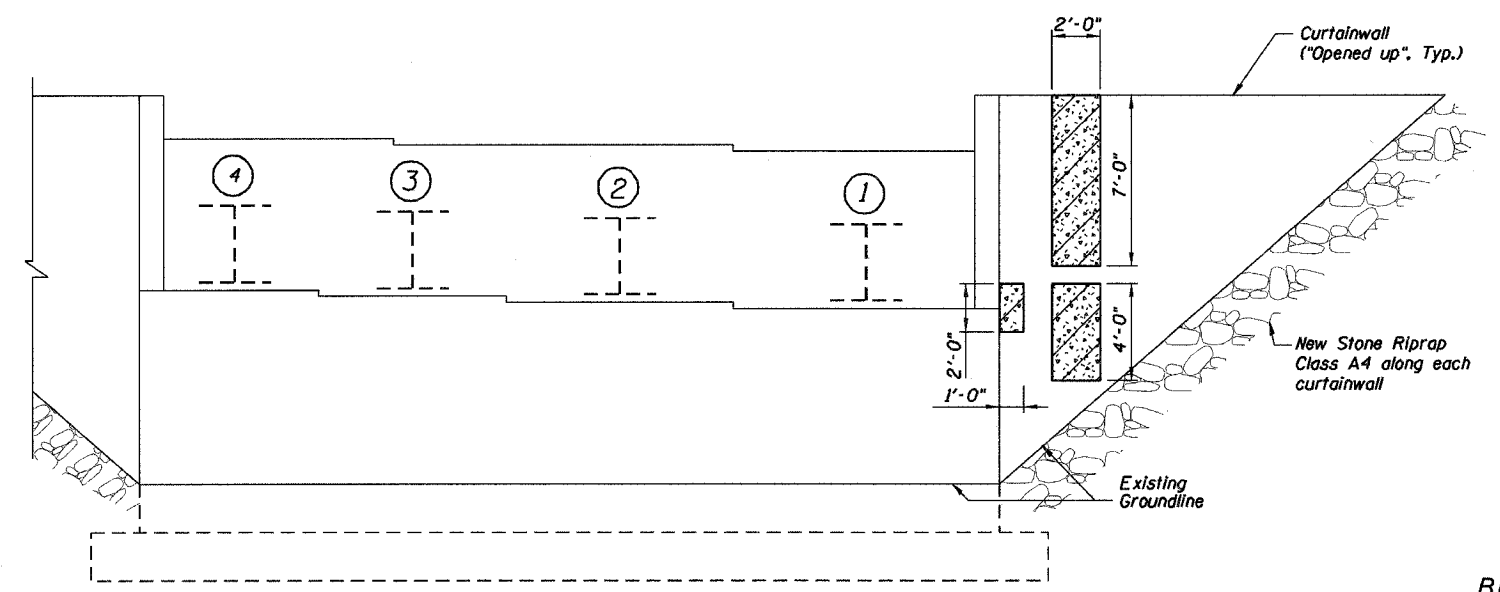


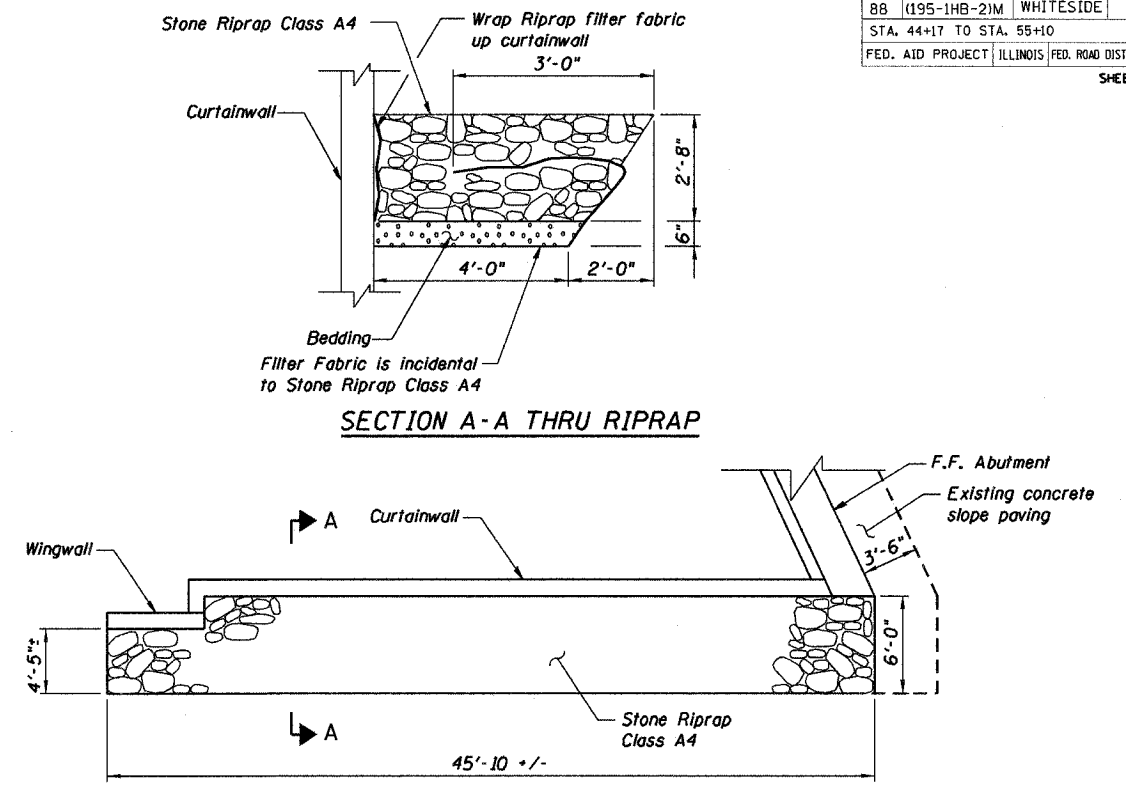
F.A.I. RTE.	SECTION	COUNTY	TOTAL SHEETS	SHEET NO.
88	(195-1HB-2)M	WHITESIDE	17	9
STA. 44+17 TO STA. 55+10				
FED. AID PROJECT ILLINOIS FED. ROAD DIST. NO.				



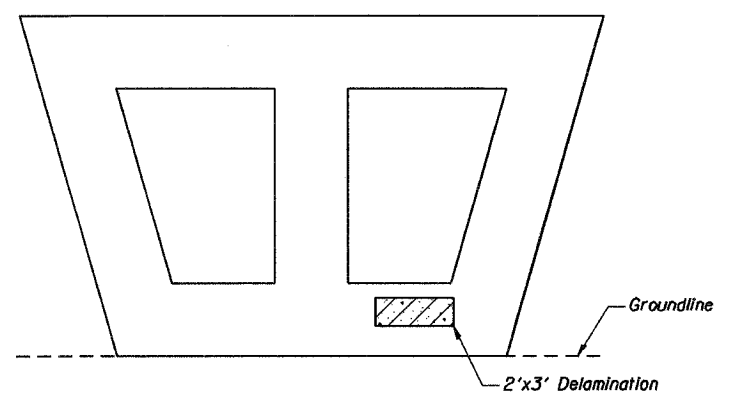
EXIST. SOUTH ABUTMENT ELEVATION
(Looking South)



EXIST. NORTH ABUTMENT ELEVATION
(Looking North)



RIPRAP PLAN AT ABUTMENTS
(North Abutment, West side shown. Other locations similar)



Existing North Pier
(Looking South)

BILL OF MATERIAL

ITEM	UNIT	QUANTITY		
		N. Abutment & Wingwalls	S. Abutment & Wingwalls	North Pier
Structural Repair of Concrete (Depth Equal to or Less than 5")	Sq. Ft.	24	193	6
Stone Riprap Class A4	Sq.Yd.	60	60	0

LEGEND

Structural Repair of Concrete (Depth Equal to or Less than 5")

Girder Number

REVISIONS	
NAME	DATE

ILLINOIS DEPARTMENT OF TRANSPORTATION
CH21 (SAND ROAD) BRIDGE OVER I-88
STRUCTURE NO: 098-0056
SECTION: (195-1HB-2)M
BRIDGE REHABILITATION

SUBSTRUCTURE REPAIR & RIPRAP DETAILS

SCALE: NTS
DATE: 2-07-2007

DRAWN BY: M.J.M.
CHECKED BY: K.G.W.