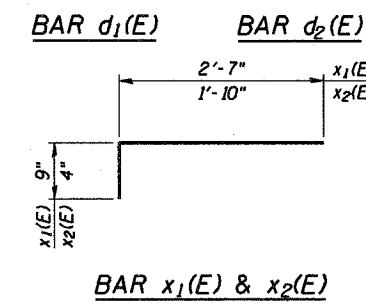
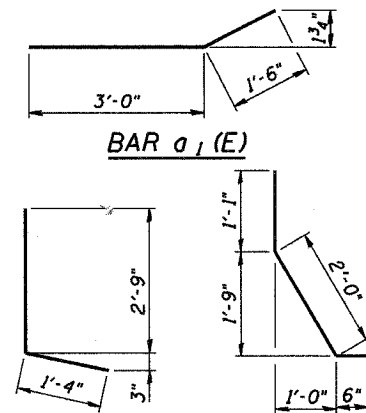


F.A.I. RTE.	SECTION	COUNTY	TOTAL SHEETS	SHEET NO.
88	(195-1HB-2)M	WHITESIDE	17	11
STA. 44+17 TO STA. 55+10				
FED. AID PROJECT ILLINOIS FED. ROAD DIST. NO.				
SHEET 5 OF 11				

**BILL OF MATERIAL**

Bar	No.	Size	Length	Shape
$a_1(E)$	8	#6	4'-6"	—
$a_2(E)$	22	#6	22'-3"	—
$a_3(E)$	8	#6	5'-3"	—
$d_1(E)$	15	#4	4'-1"	└
$d_2(E)$	15	#5	3'-7"	└
$x_1(E)$	25	#5	3'-4"	└
$x_2(E)$	38	#5	2'-2"	└
Reinforcement Bars, Epoxy Coated		Pound	1,120	
Protective Coat		Sq. Yd.	14	
Concrete Removal		Cu. Yd.	4.7	
Concrete Superstructure		Cu. Yd.	5.2	
Silicone Joint Sealer		Foot	12	

Reinforcement Bars designated (E) shall



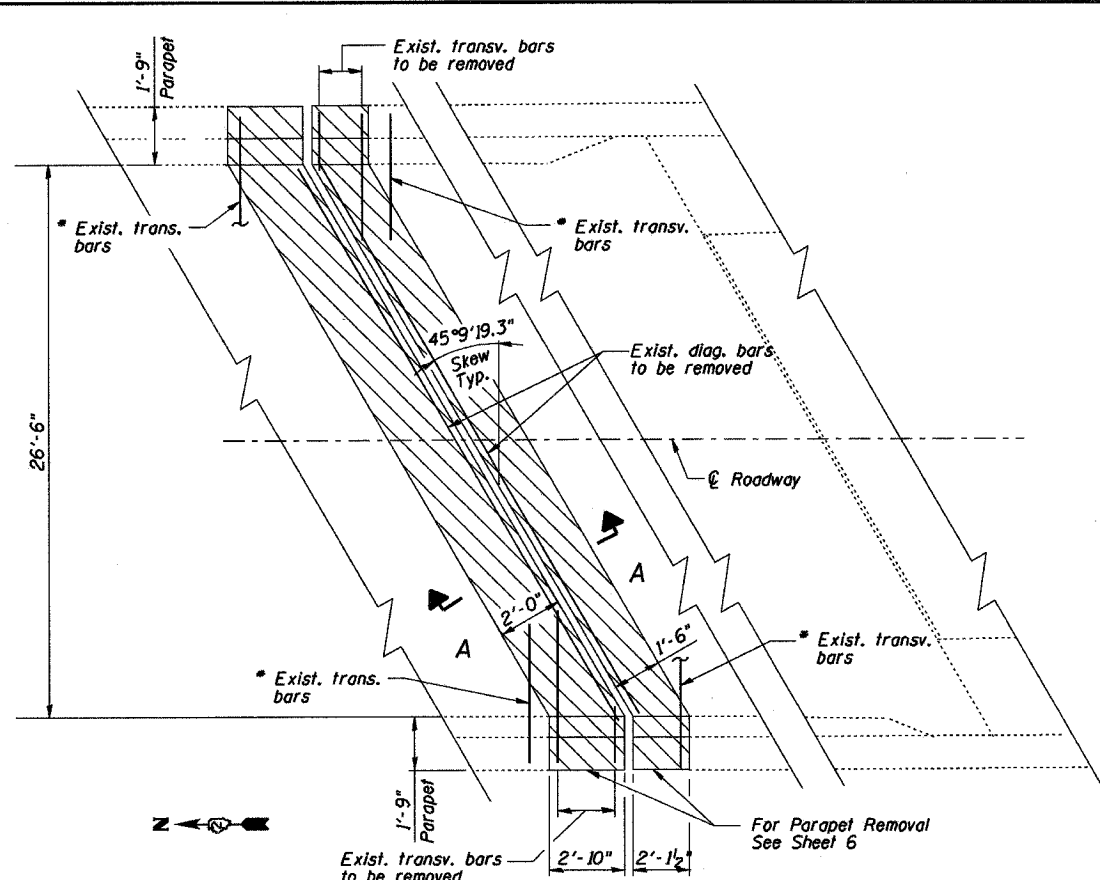
\*\* Dimensions are based on the Rolled Rail Strip Seal Joint. If the contractor elects to use the Welded Rail Strip Seal Joint, deck dimensions may require adjustments to satisfy the details of base sheet EJ-SSJ.

REVISIONS	
NAME	DATE

ILLINOIS DEPARTMENT OF TRANSPORTATION  
CH21 (SAND ROAD) BRIDGE OVER I-88  
STRUCTURE NO. 098-0056  
SECTION: (195-1HB-2)M  
BRIDGE REHABILITATION

JOINT DETAILS AT SOUTH ABUTMENT

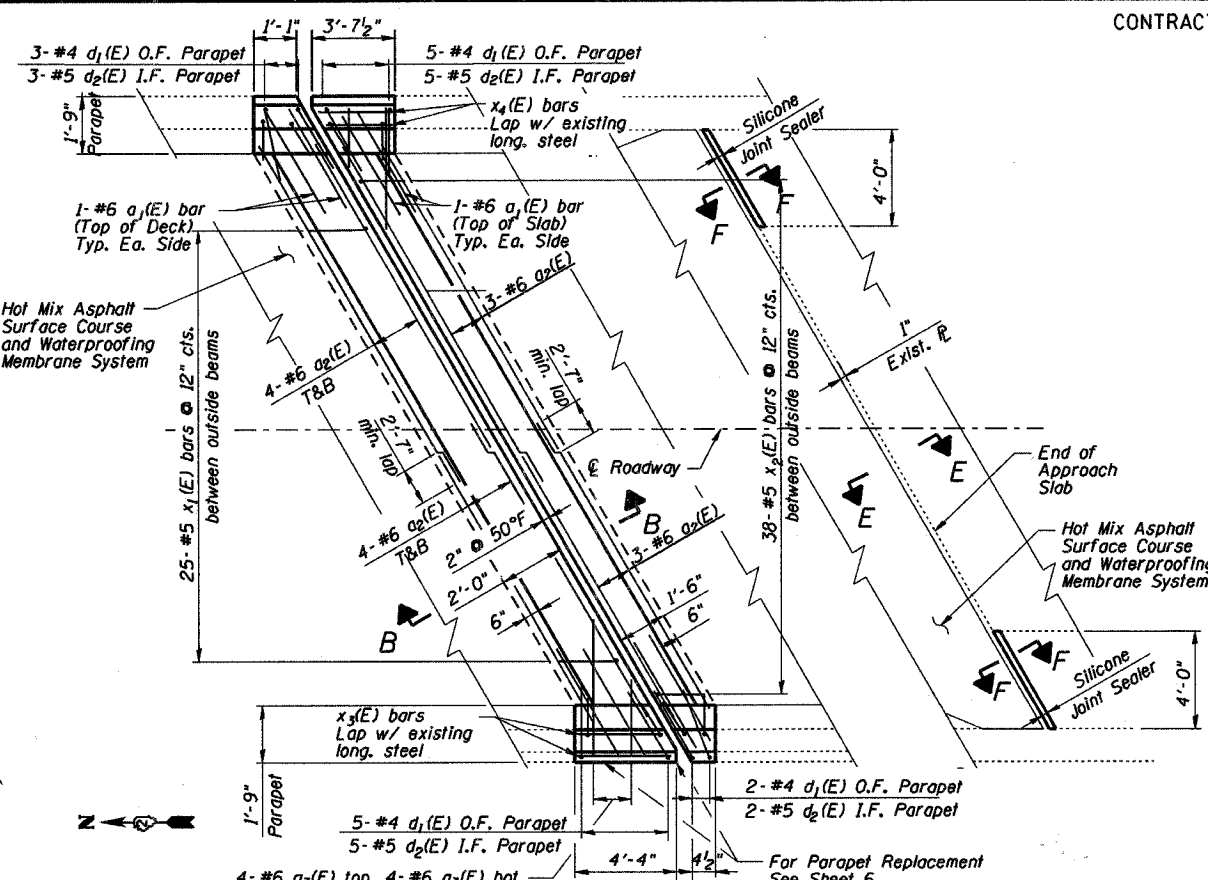
SCALE: NTS  
DATE: 2-07-2007  
DRAWN BY: M.M.  
CHECKED BY: K.G.W.



**CONCRETE REMOVAL @ SOUTH ABUTMENT EXP. JOINT PLAN**

**LEGEND**

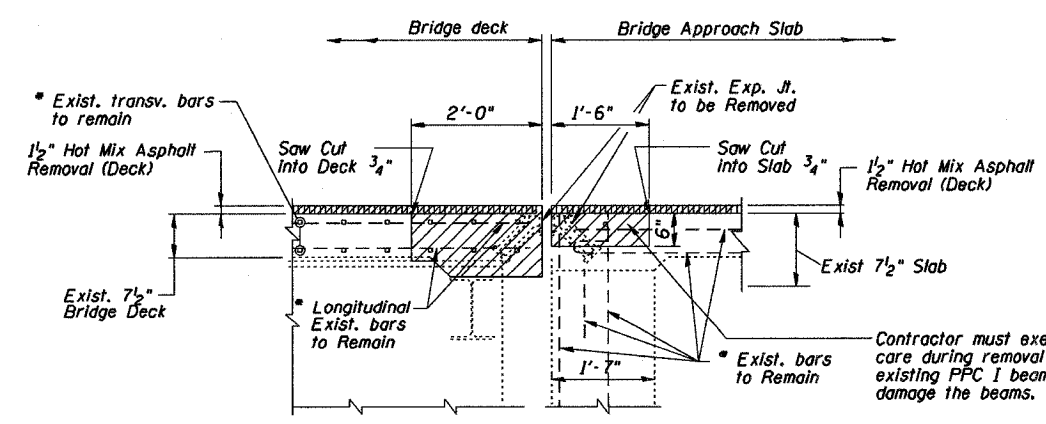
- Concrete Removal
- Concrete Superstructure



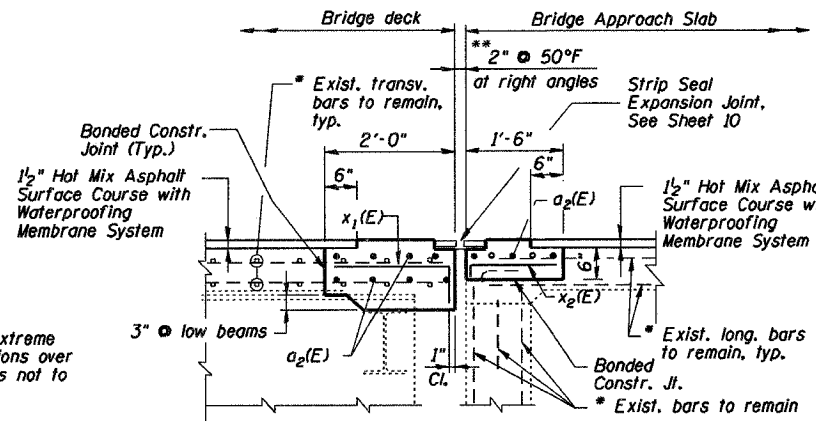
**CONCRETE REPLACEMENT @ SOUTH ABUTMENT EXP. JOINT PLAN**

**NOTES:**

- \* Exist. reinforcement bars extending into the removal areas shall be cleaned, straightened and incorporated into the new construction. Any reinforcement bars that are damaged during concrete removal shall be replaced with approved bar splicer or anchorage system. Cost included with Concrete Removal. Longitudinal bars at the northeast and southwest corners shall be field cut to fit skew as is required.
- For Sections E-E & F-F see Sheet 6.
- Protective Coat shall be applied to the concrete deck and slab, and to the inside and top faces of the curb and parapet. Do not apply Protective Coat to surfaces that will have Waterproofing Membrane System applied.



**SECTION A-A**



**SECTION B-B**