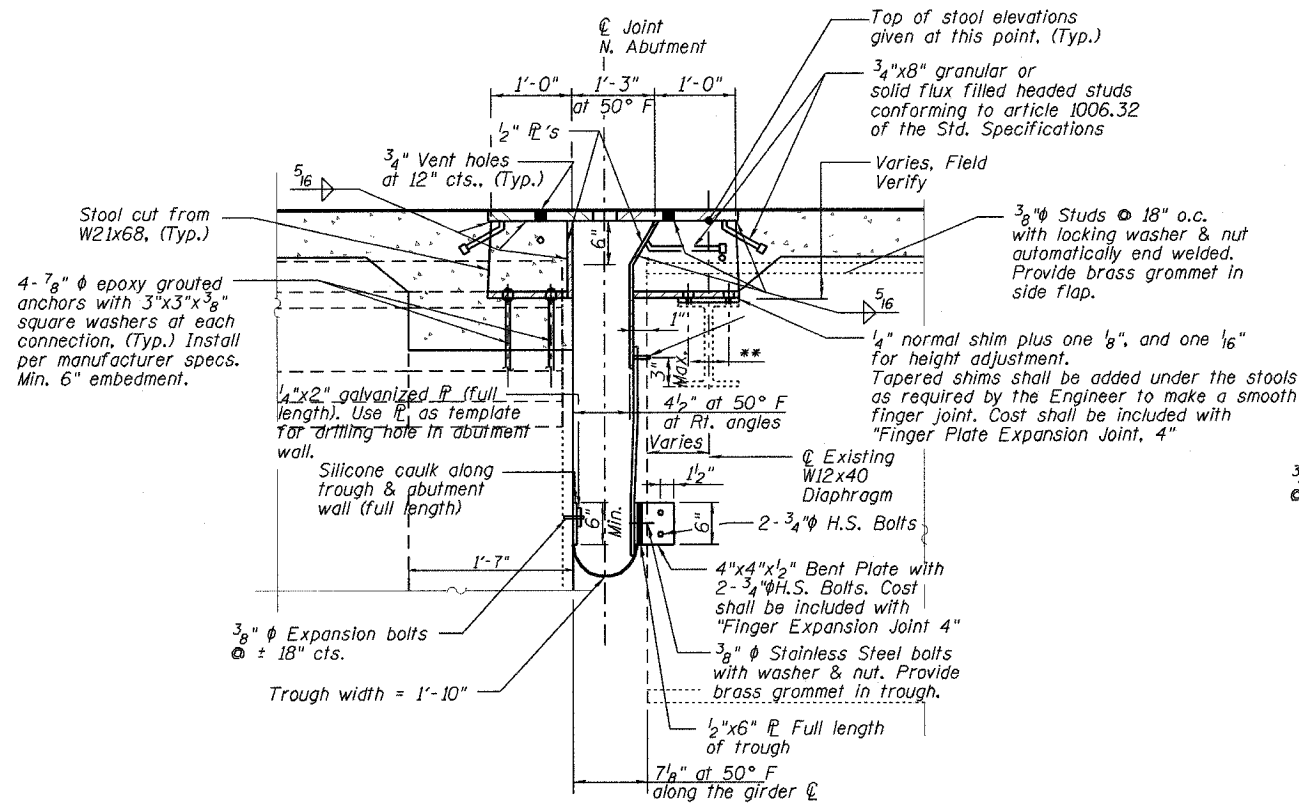
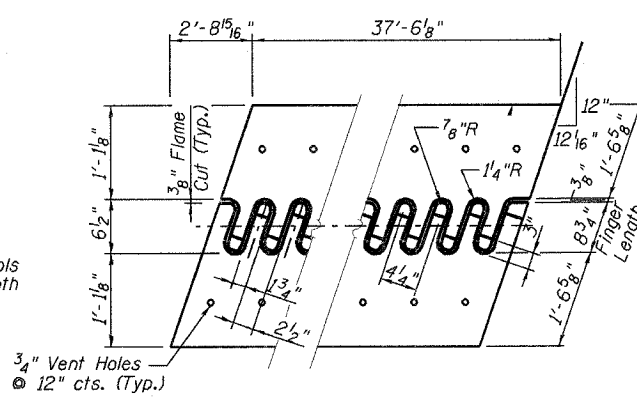


F.A.I. RTE.	SECTION	COUNTY	TOTAL SHEETS	SHEET NO.
88	(195-1HB-2)M	WHITESIDE	17	14
STA. 44+17 TO STA. 55+10				
FED. AID PROJECT ILLINOIS FED. ROAD DIST. NO. _____				

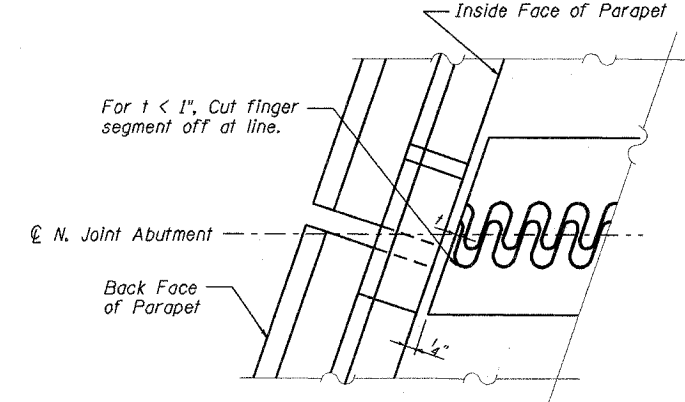


SECTION E-E

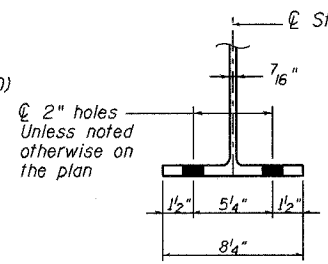
\*\* Field drill holes in existing diaphragm top flange. 4-3/4" high strength bolts each connection. Provide nut and 3"x3"x3/8" sq. washers @ each bolt measured at right angle to abutment



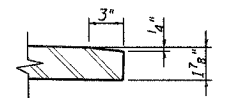
FINGER PLATE DETAIL  
Cut from P 1 1/8"x2'-8 3/4"x40'-3 1/16" (M270, GR 50)



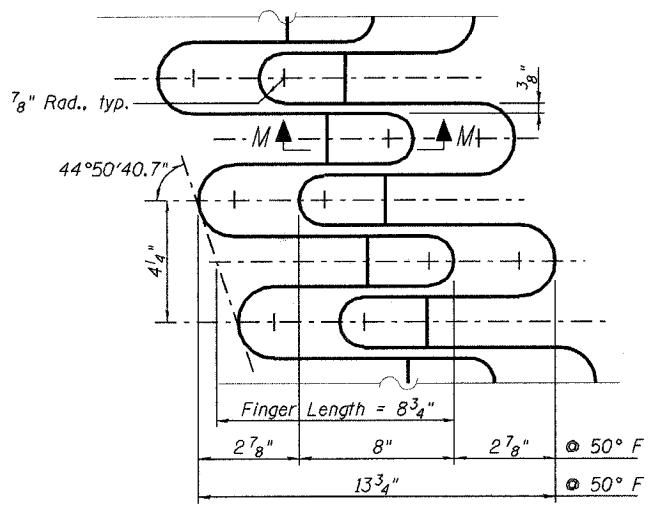
DETAIL J



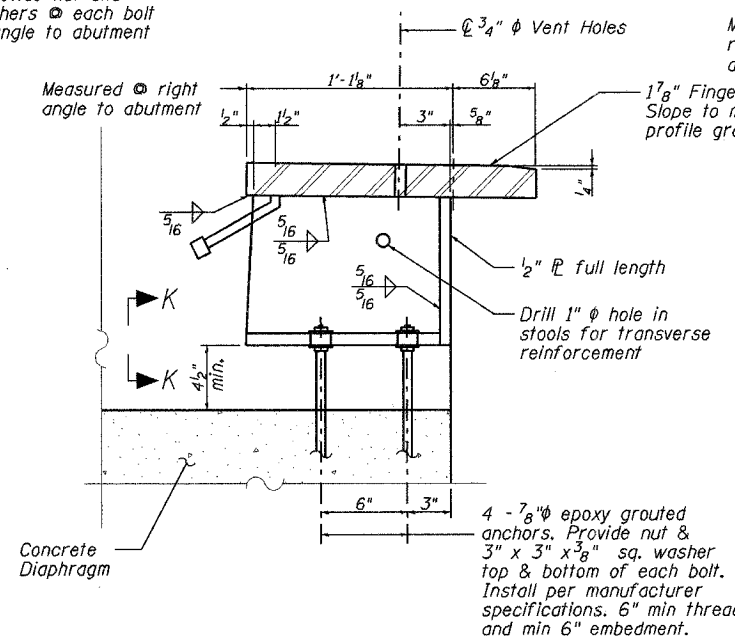
VIEW K-K



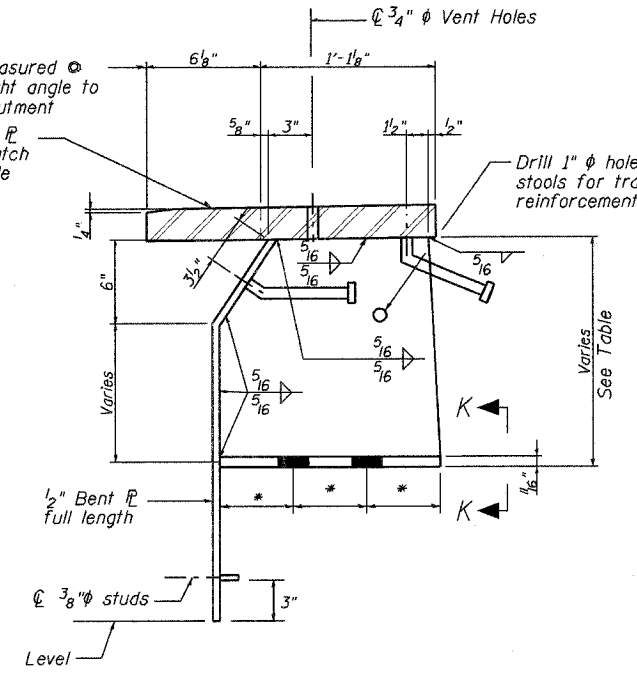
SECTION M-M



DETAIL L



STOOL DETAIL @ NORTH SIDE



STOOL DETAIL @ SOUTH SIDE

Horizontal dimensions are measured normal to back of finger plate.

\* Contractor shall verify dimensions with from diaphragm shop drawings and field measurements.

Holes to be spaced to miss stiffeners on girder mounted stools.

North Side of Joint			South Side of Joint		
Stool Designation	Top of Stool Elev.	Stool Height (Inches)	Stool Designation	Top of Stool Elev.	Stool Height (Inches)
N1	606.624	9	S1	606.769	7.375
N2	606.596	9	S2	606.729	12.750
N3	606.551	9	S3	606.683	13.000
N4	606.489	9	S4	606.634	13.250
N5	606.426	9	S5	606.585	13.375
N6	606.392	9	S6	606.536	13.625
N7	606.348	9	S7	606.502	7.375
N8	606.303	9	S8	606.455	14.000
N9	606.256	9	S9	606.406	14.125
N10	606.163	9	S10	606.351	14.375
N11	606.100	9	S11	606.258	14.000
N12	606.014	9	S12	606.165	13.625
N13	605.929	9	S13	606.100	7.375
N14	605.839	9	S14	606.010	13.125
N15	605.719	9	S15	605.917	12.875
N16	605.655	9	S16	605.824	12.625
N17	605.562	9	S17	605.731	12.375
N18	605.435	9	S18	605.633	12.125
			S19	605.563	7.375

REVISIONS	
NAME	DATE

ILLINOIS DEPARTMENT OF TRANSPORTATION

CH21 (SAND ROAD) BRIDGE OVER I-88

STRUCTURE NO: 098-0056

SECTION: (195-1HB-2)M

BRIDGE REHABILITATION

FINGER PLATE JOINT DETAILS

SCALE: NTS DRAWN BY: M.M.

DATE: 2-07-2007 CHECKED BY: K.G.W.