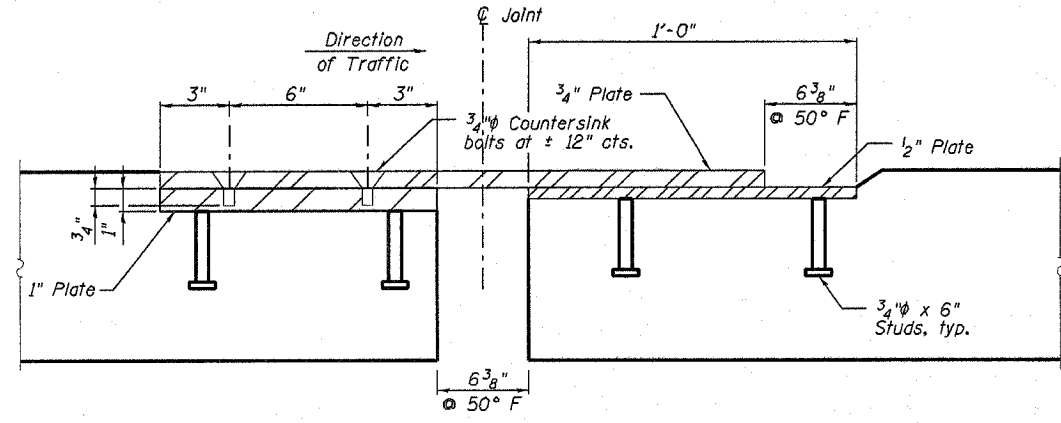


CONTRACT NO. 64D02

F.A.J. RTE.	SECTION	COUNTY	TOTAL SHEETS	SHEET NO.
88	(195-1HB-2)M	WHITESIDE	17	15
STA. 44+17 TO STA. 55+10				
FED. AID PROJECT ILLINOIS FED. ROAD DIST. NO. .				

SHEET 9 OF 11



SECTION H-H

REVISIONS	
NAME	DATE

ILLINOIS DEPARTMENT OF TRANSPORTATION
 CH21 (SAND ROAD) BRIDGE OVER I-88
 STRUCTURE NO: 098-0056
 SECTION: (195-1HB-2)M
 BRIDGE REHABILITATION
 MISCELLANEOUS DETAILS
 SCALE: NTS DRAWN BY: M.M.
 DATE: 2-07-2007 CHECKED BY: K.G.W.