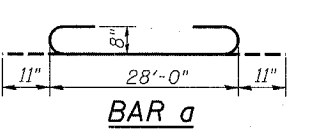
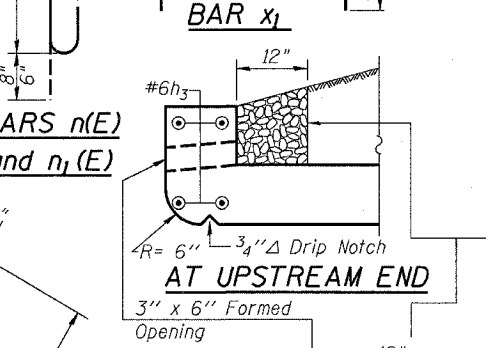


HALF LONG. SECTION
Showing bars in Center Wall

HALF ELEVATION
Showing bars in Outside Wall

Dimensions are at Right Angles to \bar{C} Roadway

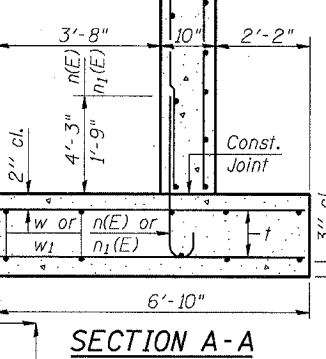
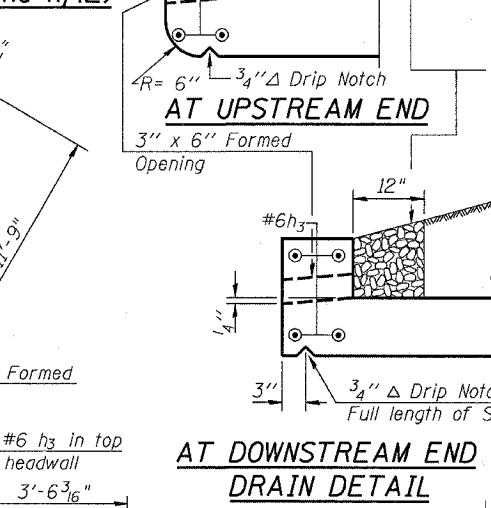
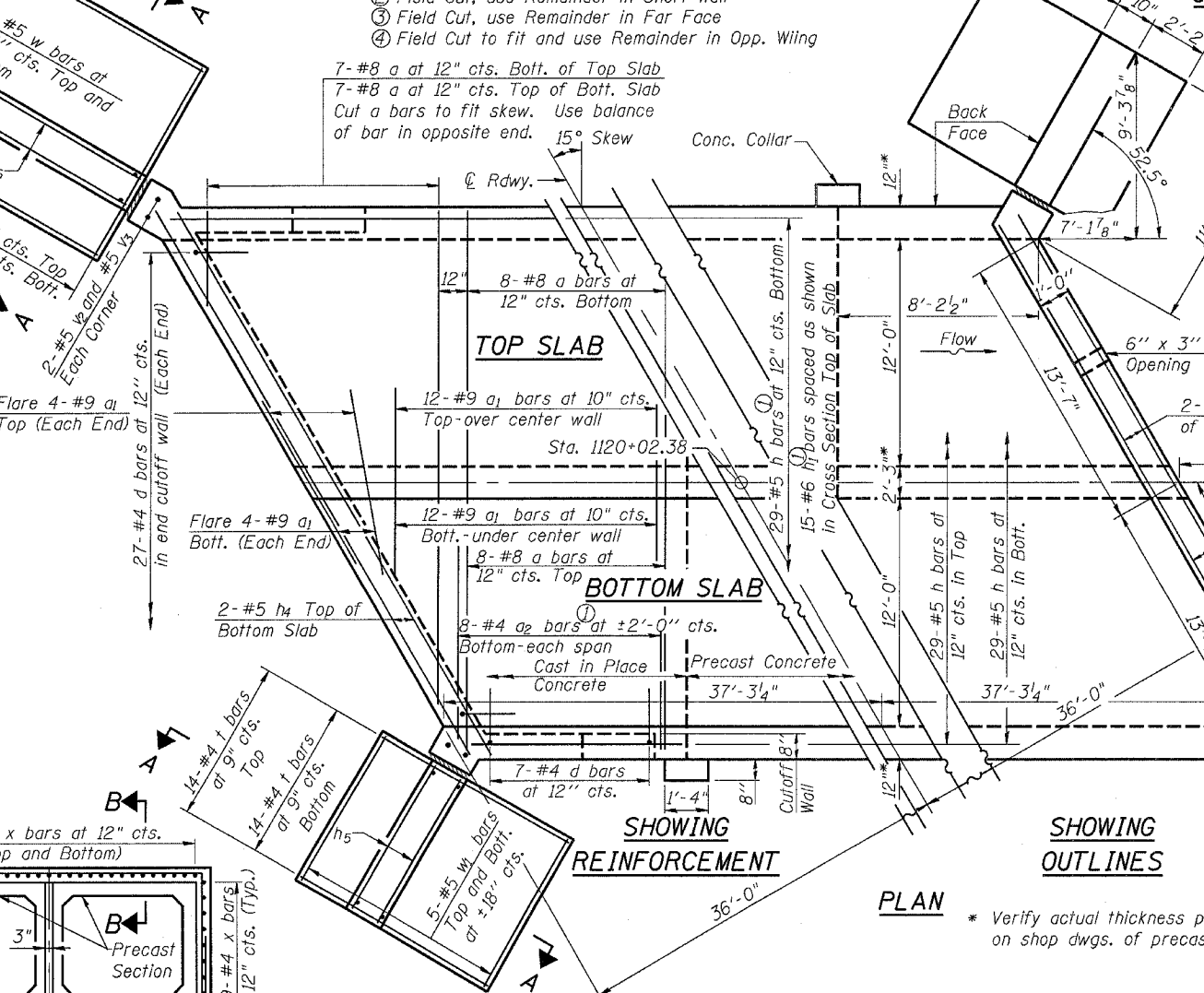
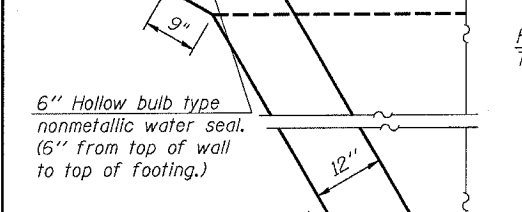
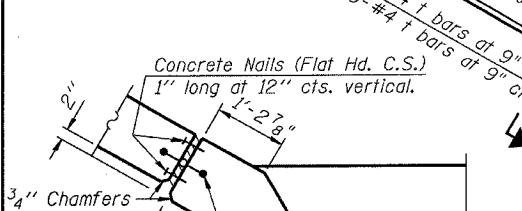
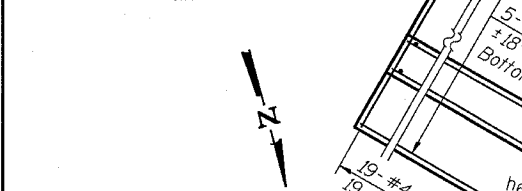
REINFORCEMENT FRONT FACE



BILL OF MATERIAL

Bar	No.	Size	Length	Shape
a	46	#8	29'-10"	
a1	52	#9	14'-6"	
a2	32	#4	8'-0"	
d	82	#4	5'-6"	
h	174	#5	15'-6"	
h1	30	#6	15'-7"	
h2	32	#5	23'-8"	
h3	8	#6	29'-0"	
h4	10	#5	29'-0"	
h5	36	#4	10'-8"	
h6	36	#4	14'-1"	
n(E)	22	#6	6'-1"	
n1(E)	24	#4	3'-5"	
f	132	#4	6'-5"	
v	72	#5	8'-3"	
v1	72	#5	3'-6"	
v2	8	#5	8'-8"	
v3	8	#5	6'-0"	
v4	14	#4	11'-0"	
v5	11	#4	19'-9"	
w	20	#5	14'-1"	
w1	20	#5	10'-8"	
x	152	#4	1'-1"	
x1	12	#4	42'-3"	

Concrete Box Culverts Cu. Yd. 128.5
Reinforcement Bars, Epoxy Coated Pound 260
Reinforcement Bars Pound 15,040



CAST-IN-PLACE BOX CULVERT END SECTION DETAILS
IL ROUTE 178 OVER UNNAMED TRIBUTARY
FAS 1279 SECTION 1071
LaSALLE COUNTY
STATION 1120+02.38
STRUCTURE NO. 050-2040

ESCA CONSULTANTS, INC.

DESIGNED BY: RDP 11/05
DRAWN BY: DWH/JDK 11/05
CHECKED BY: MTD 12/05
APPROVED BY: RDP 05/06

DB-T-L

SECTION THRU BOX AT COLLAR

Item	Unit	Quantity
Box Culvert End Section, Culvert No. 2	Each	2