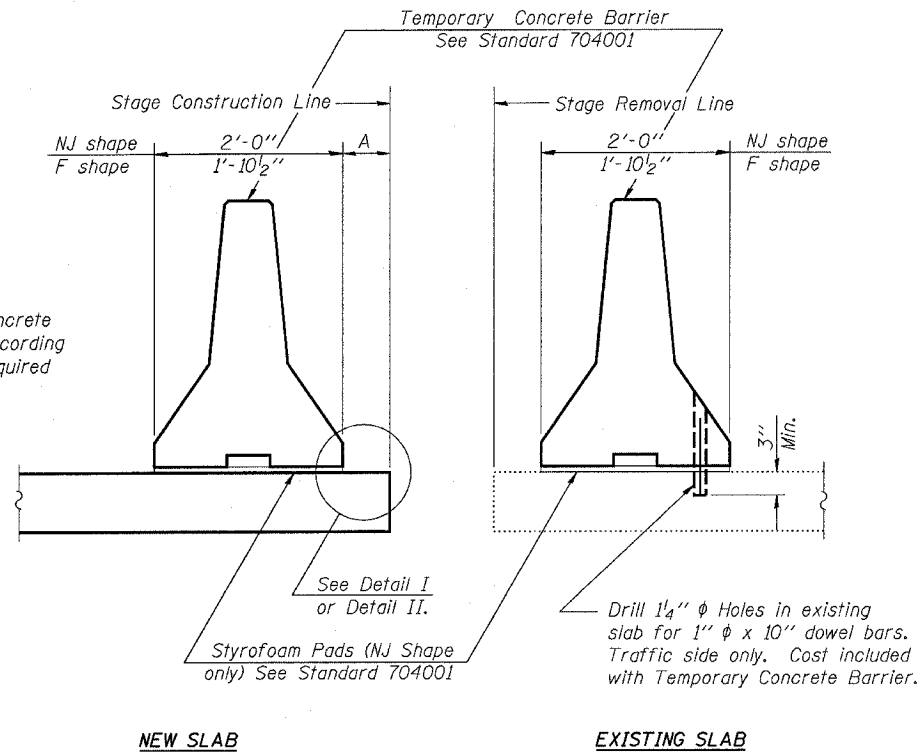


STATE OF ILLINOIS
DEPARTMENT OF TRANSPORTATION

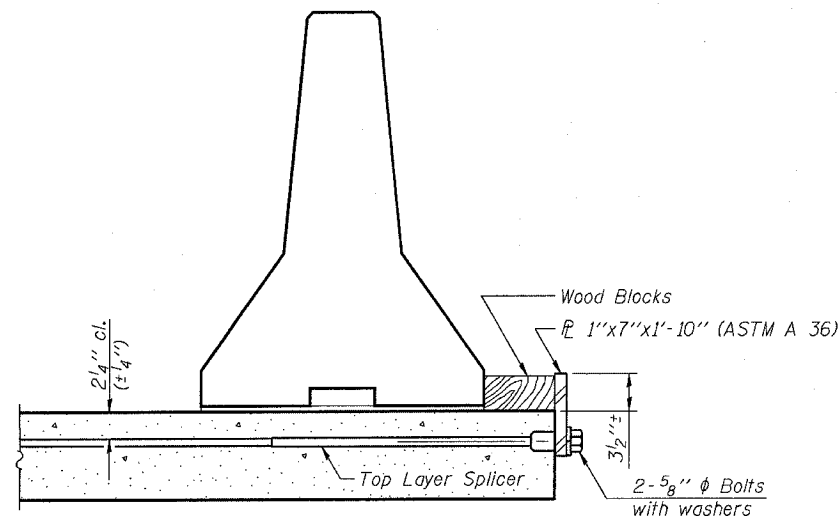
ROUTE NO.	SECTION	COUNTY	TOTAL SHEETS	SHEET	SHEET NO.
FAS 1279	1071	LaSALLE	43	30	5
FED. ROAD DIST. NO.		ILLINOIS	FED. AID PROJECT		
CTR# 66400					



SECTIONS THRU SLAB

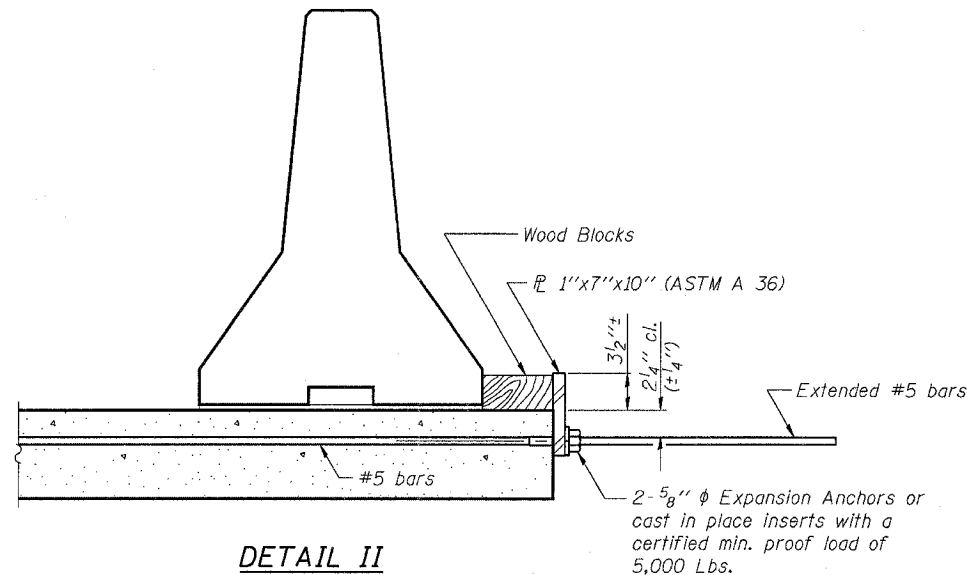
NOTES

- Detail I - With Bar Splicer or Couplers:
Connect one (1) 1"x7"x1'-10" steel \bar{P} to the top layer of couplers with 2-5/8" ϕ bolts screwed to coupler at approximate \bar{C} of each barrier panel.
- Detail II - With Extended Reinforcement Bars:
Connect one (1) 1"x7"x10" steel \bar{P} to the concrete slab with 2-5/8" ϕ Expansion Anchors or cast in place inserts spaced between the top layer of reinforcement at approximate \bar{C} of each barrier panel.
- Cost of anchorage is included with Temporary Concrete Barrier.



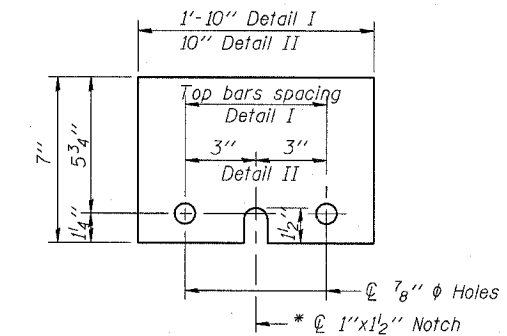
DETAIL I

The 1"x7"x1'-10" Plate shall not be removed until Stage II Construction forms and reinforcement bars are in place.



DETAIL II

The 1"x7"x10" Plate shall not be removed until Stage II Construction forms and all reinforcement bars are in place and the concrete is ready to be placed.



\bar{P} 1"x7"

* Required only with Detail II

TEMPORARY CONCRETE BARRIER

FOR STAGE CONSTRUCTION

IL ROUTE 178 OVER

UNNAMED TRIBUTARY

FAS 1279 SECTION 1071

LaSALLE COUNTY

STATION 1120+02.38

STRUCTURE NO. 050-2040

ESCA
CONSULTANTS, INC.

DESIGNED BY:	RDP	11/05
DRAWN BY:	DWH	11/05
CHECKED BY:	MTD	12/05
APPROVED BY:	RDP	05/06