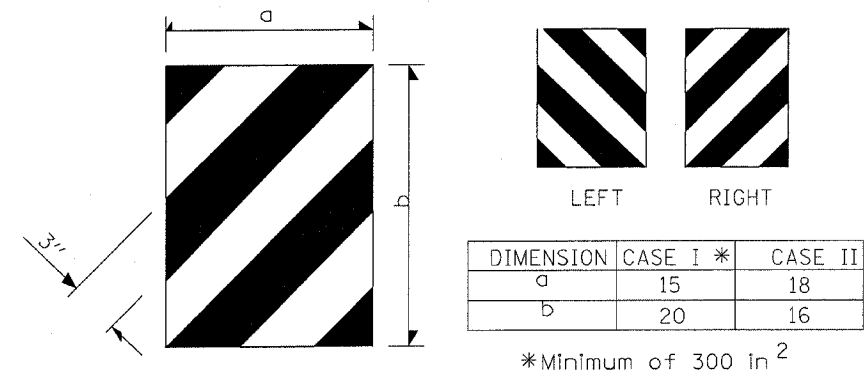
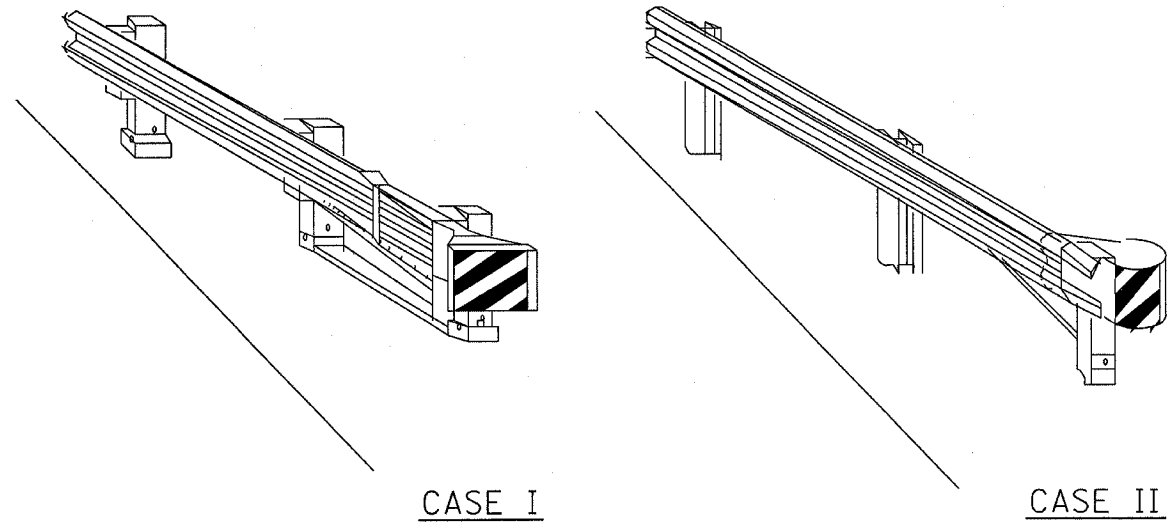
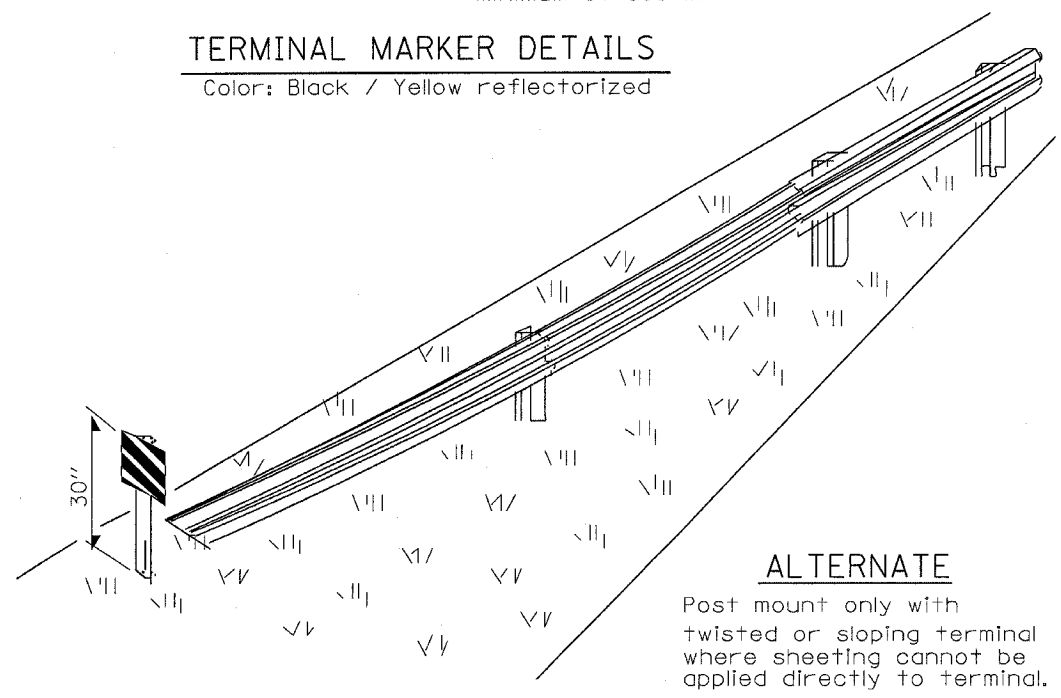


F.A.S. RTE.	SECTION	COUNTY	TOTAL SHEETS	SHEET NO.
1279	*	LASALLE	43	36
STA.	TO STA.			
FED. ROAD DIST. NO.	ILLINOIS	FED. AID PROJECT		
*1-RS, (106,107)RS-2, 108 RS-1 & I				

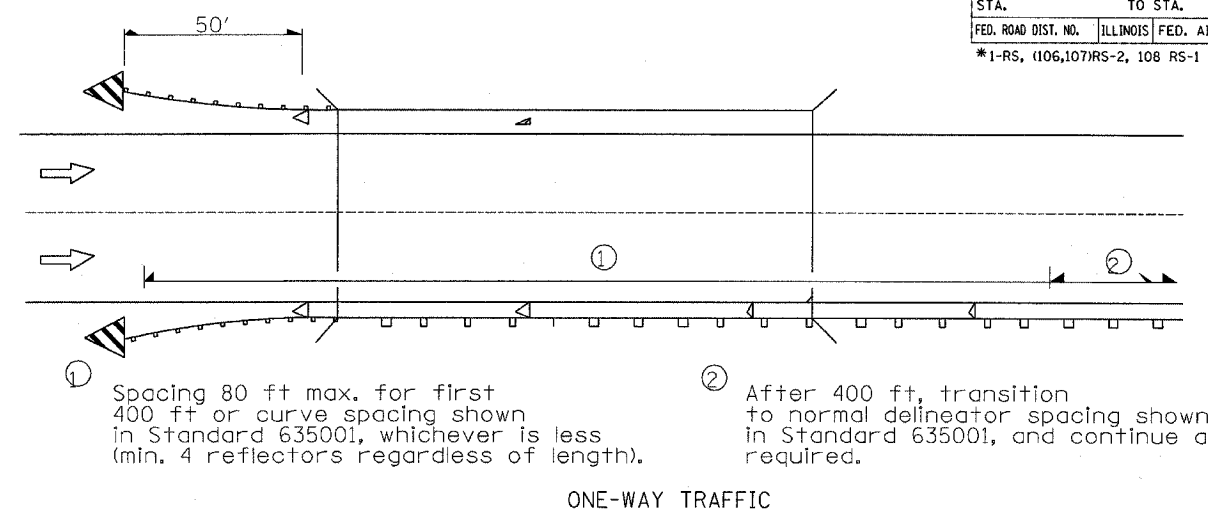


**TERMINAL MARKER DETAILS**  
Color: Black / Yellow reflectorized

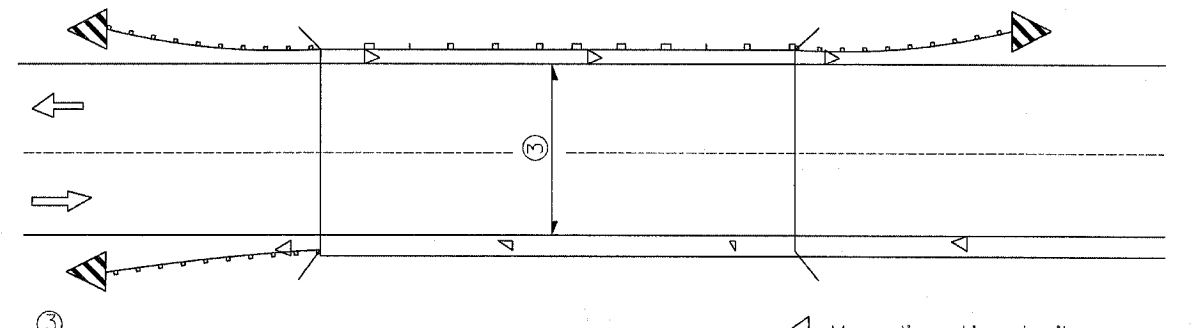


**ALTERNATE**

Post mount only with twisted or sloping terminal where sheeting cannot be applied directly to terminal.



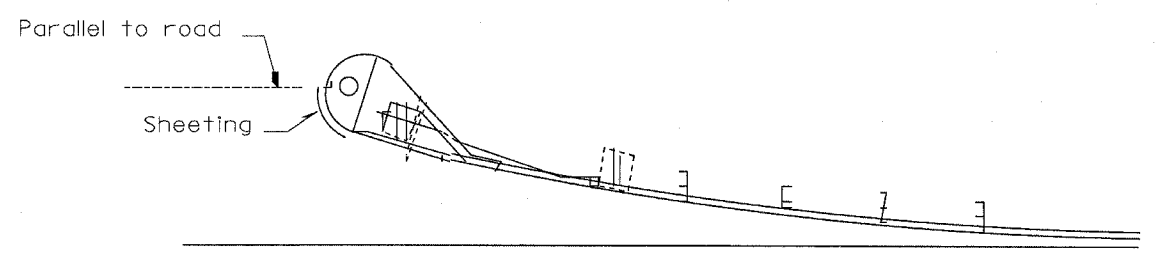
ONE-WAY TRAFFIC



TWO-WAY TRAFFIC

- ◁ Monodirectional silver
- ◁ Monodirectional amber
- ◁ Terminal Marker - Black/Yellow Left or Right as appropriate

**GUARDRAIL / BARRIER WALL / BRIDGE RAIL REFLECTORS**



SHEETING POSITION: CASE II

REVISIONS	
NAME	DATE

ILLINOIS DEPARTMENT OF TRANSPORTATION

**REFLECTOR AND TERMINAL MARKER PLACEMENT**

SCALE: VERT. HORIZ. DATE

DRAWN BY CHECKED BY