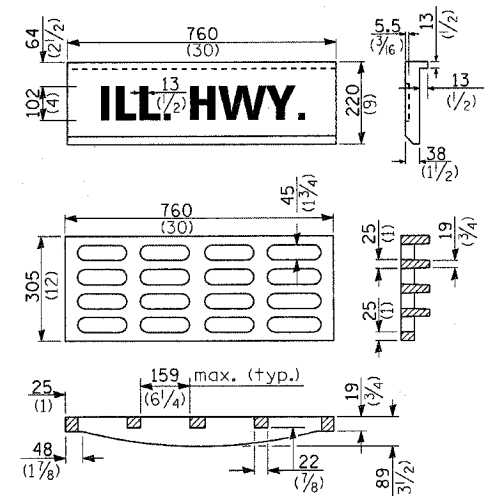
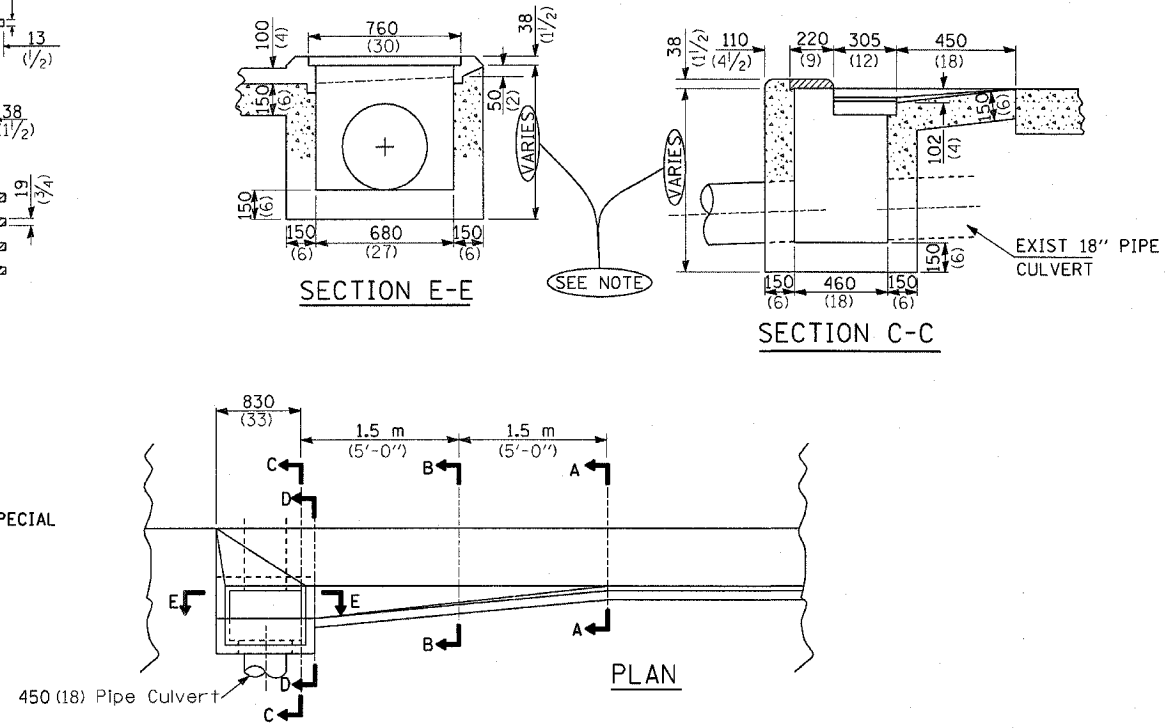


F.A.U. RTE.	SECTION	COUNTY	TOTAL SHEETS	SHEET NO.
5952	0-BR	GRUNDY	86	35A
STA.		TO STA.		
FED. ROAD DIST. NO.		ILLINOIS FED. AID PROJECT		



GRATE AND COVER TYPE 2B  
INCLUDED IN THE COST OF CLASS SI (OUTLET), SPECIAL



CLASS SI CONCRETE (OUTLET), SPECIAL  
AT BARRINGTON ROAD

QUANTITY

Estimated concrete for outlet = 1.50 cu. yds.

All dimensions are in millimeters (inches) unless otherwise shown.

NOTE: Depth to be determined in the field to match existing culvert elevation and proposed ditch grades.

REVISIONS	
NAME	DATE

ILLINOIS DEPARTMENT OF TRANSPORTATION  
**US ROUTE 6  
DETAILS**  
SCALE: VERT. \_\_\_\_\_  
HORIZ. \_\_\_\_\_  
DATE \_\_\_\_\_  
DRAWN BY \_\_\_\_\_  
CHECKED BY \_\_\_\_\_

PLOT DATE = 5/1/2007  
FILE NAME = s:\projects\66594\66594.dgn  
USER NAME = sbrooks