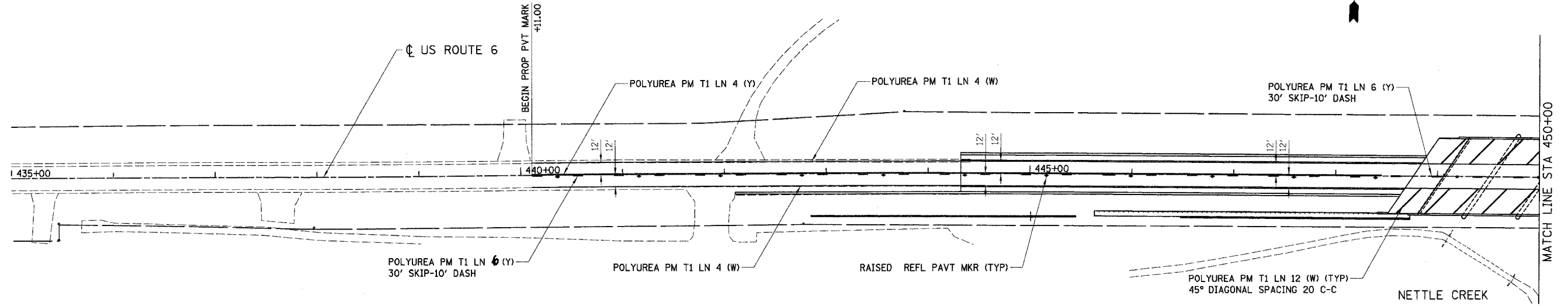
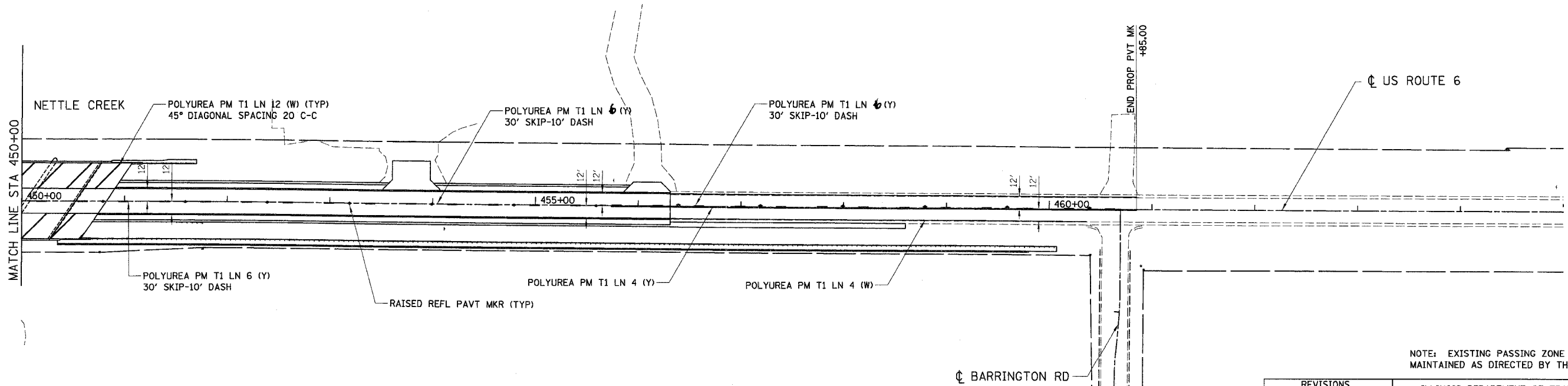


F.A.U. RTE.	SECTION	COUNTY	TOTAL SHEETS	SHEET NO.
5952	0-BR	GRUNDY	86	36
STA.		TO STA.		
FED. ROAD DIST. NO. 7		ILLINOIS FED. AID PROJECT		



NOTE: EXISTING PASSING ZONE LIMITS TO BE MAINTAINED AS DIRECTED BY THE ENGINEER



NOTE: EXISTING PASSING ZONE LIMITS TO BE MAINTAINED AS DIRECTED BY THE ENGINEER



REVISIONS	
NAME	DATE

ILLINOIS DEPARTMENT OF TRANSPORTATION

U.S. ROUTE 6
PAVEMENT MARKINGS
& SIGNING PLAN

SCALE: VERT. 1"=50'
HORIZ. 1"=50'
DATE 3/19/07

DRAWN BY JAM
CHECKED BY DM

BOWMAN, BARRETT
& ASSOCIATES INC.
CONSULTING ENGINEERS
130 E. RANDOLPH STREET
CHICAGO, ILLINOIS 60601
JOB NO. 54



M:\541\road\ch\66594\Nettle Creek\Sign02.dwg 3/19/07 5:03:33 PM

default