

STATE OF ILLINOIS
DEPARTMENT OF TRANSPORTATION

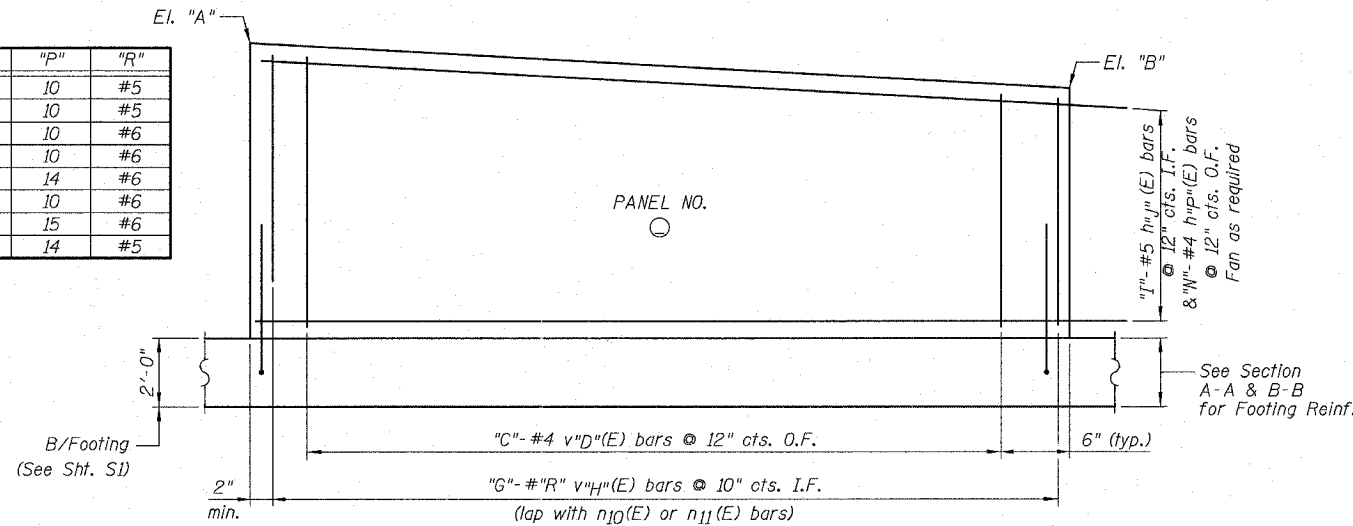
ROUTE NO.	SECTION	COUNTY	TOTAL SHEETS	SHEET NO.
S. D. I.	①	GRUNDY	86	71
F. A. ILL. 0982				OF 84 SHEETS
FED. ROAD DIST. NO. 7	ILLINOIS	FED. AID PROJECT		

TABLE OF PANEL DIMENSIONS

PANEL NO.	"A"	"B"	"C"	"D"	"G"	"H"	"I"	"J"	"N"	"P"	"R"
Ⓐ	541.40	541.02	30	10	37	14	12	12	12	10	#5
Ⓑ	541.02	540.66	30	10	37	14	12	11	12	10	#5
Ⓒ	540.66	540.45	30	11	37	15	13	12	13	10	#6
Ⓓ	540.45	540.23	30	11	37	15	13	12	13	10	#6
Ⓔ	540.23	540.14	30	12	37	15	13	11	13	14	#6
Ⓕ	540.14	540.05	30	12	37	15	13	12	13	10	#6
Ⓖ	540.05	540.00	15	12	18	15	13	13	13	15	#6
Ⓗ	540.00	539.91	30	13	37	16	11	11	11	14	#5

TABLE OF FOOTING DIMENSIONS

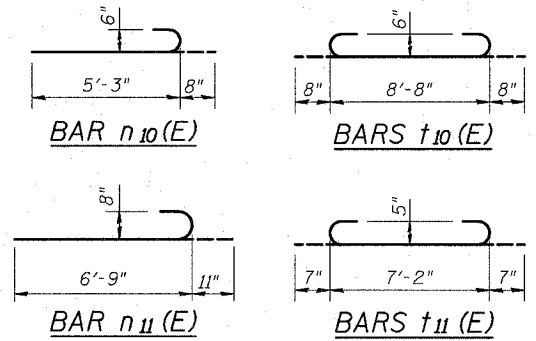
FOOTING NO.	"E"	"K"	"L"	"M"
Ⓜ	73	2	10	61
Ⓝ	163	5	12	142
Ⓚ	37	1	11	31



REINFORCEMENT DETAILS

MIN. BAR LAP

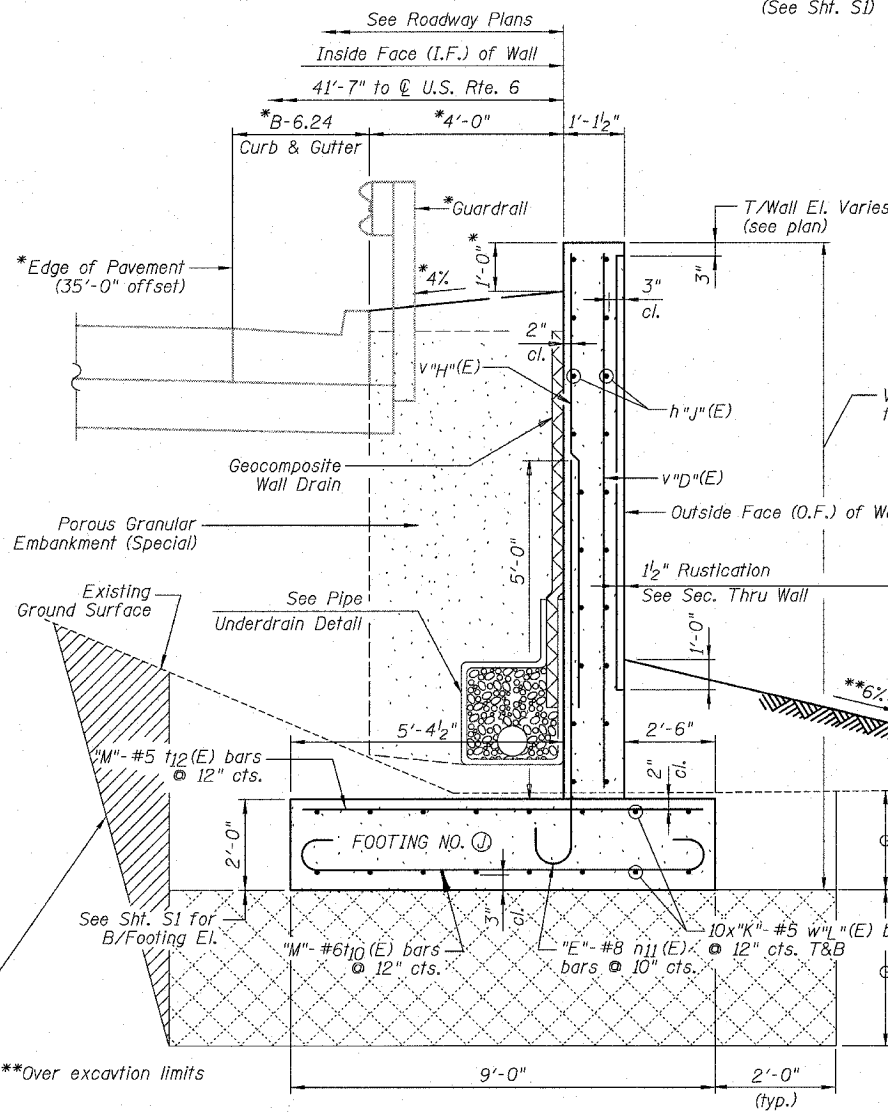
#5 2'-2"
#6 2'-7"



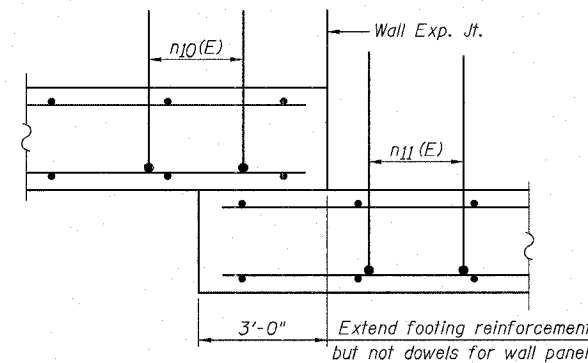
BILL OF BARS

Bar	No.	Size	Length	Shape
h10(E)	51	#4	31'-8"	—
h11(E)	36	#5	29'-8"	—
h12(E)	51	#5	32'-2"	—
h13(E)	13	#5	14'-8"	—
h14(E)	36	#4	29'-8"	—
h15(E)	13	#4	14'-8"	—
n10(E)	110	#6	5'-11"	U
n11(E)	163	#8	7'-8"	U
t10(E)	142	#6	10'-0"	U
t11(E)	92	#5	8'-4"	U
t12(E)	142	#5	8'-8"	—
t13(E)	92	#5	7'-2"	—
v10(E)	60	#4	10'-6"	—
v11(E)	60	#4	11'-8"	—
v12(E)	75	#4	11'-4"	—
v13(E)	30	#4	9'-2"	—
v14(E)	74	#6	9'-10"	—
v15(E)	166	#6	9'-7"	—
v16(E)	37	#6	8'-5"	—
w10(E)	32	#5	31'-0"	—
w11(E)	16	#5	29'-8"	—
w12(E)	100	#5	29'-11"	—

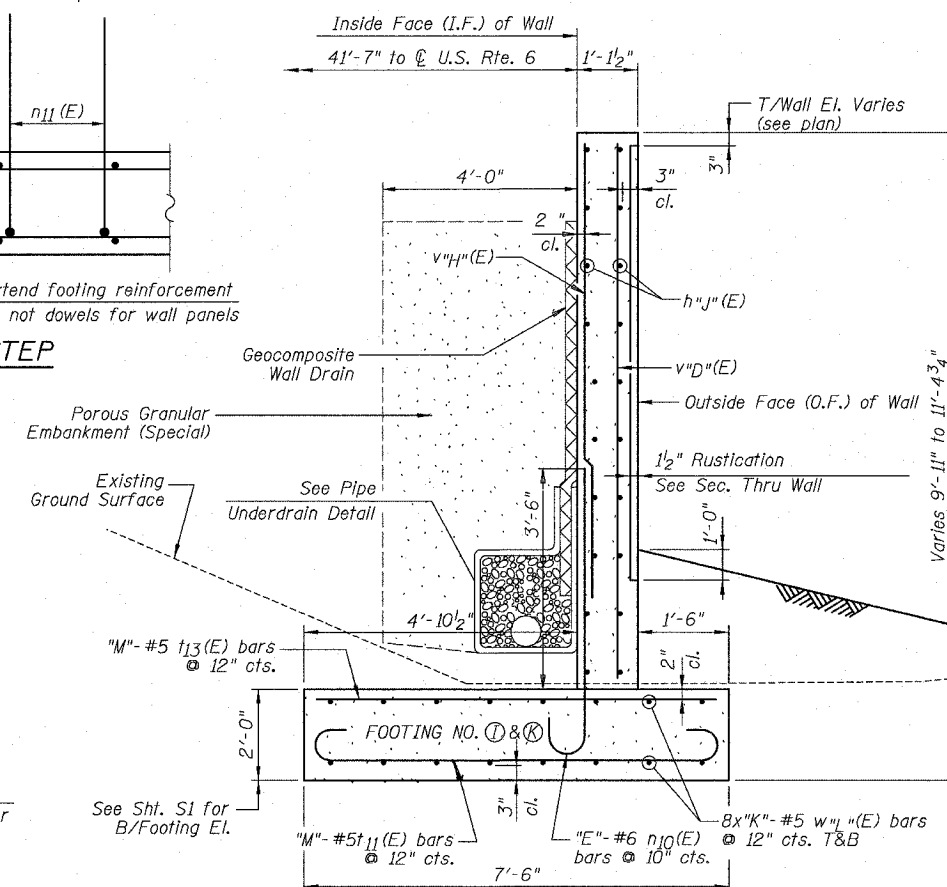
Notes:
Reinforcement bars designated (E) shall be epoxy coated.
Bars indicated thus 29 x 3-#5 etc, indicate 29 lines of bars with 3 lengths per line.
See Sheet S3 for Pipe Underdrain Details, Top of Wall Detail and Section Thru Wall.
Cut vertical bars to fit in field as necessary.



SECTION A-A



DETAIL AT STEP



SECTION B-B

See Section A-A for notes and details not shown

WALL DETAILS 1
RETAINING WALL #2
STA. 446+48 TO STA. 448+73

U.S. ROUTE 6
FAU 5952-SEC. Q-BR
GRUNDY COUNTY
S.N. 032-8802

BOWMAN, BARRETT & ASSOCIATES INC.
CONSULTING ENGINEERS
130 E. RANDOLPH STREET
CHICAGO, ILLINOIS 60601
JOB NO. 541



DESIGNED	BLU
CHECKED	MRR
DRAWN	MRR
CHECKED	BLU

DATE: 3/19/07