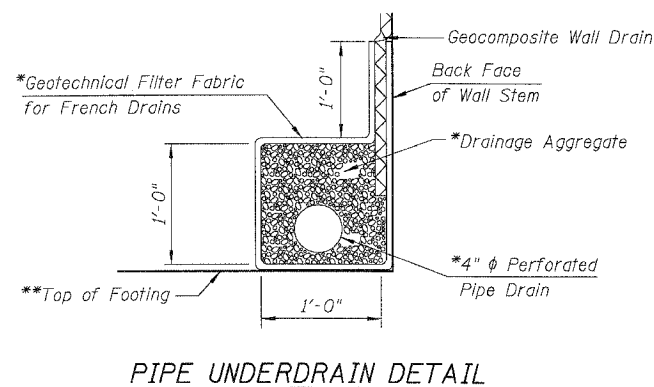
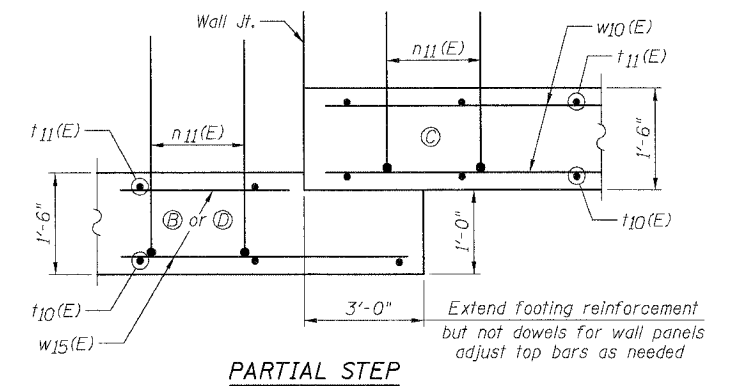
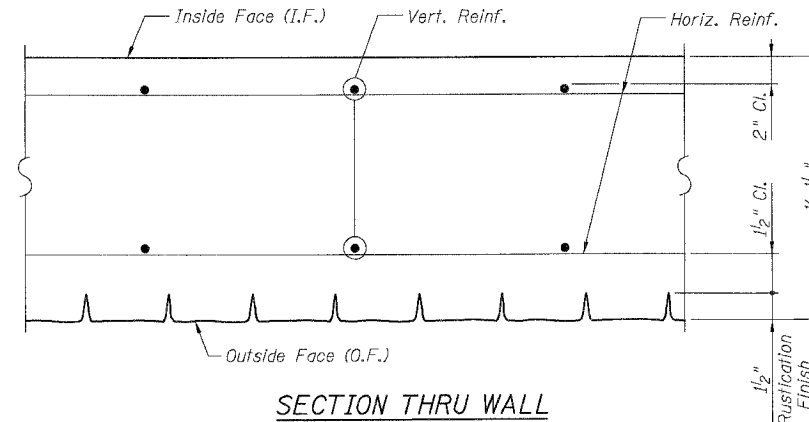
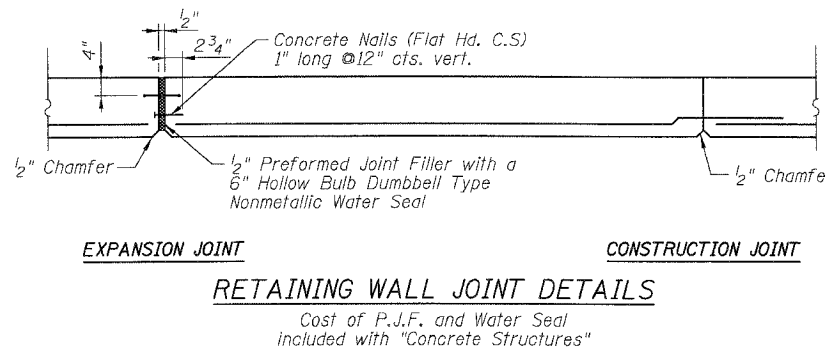
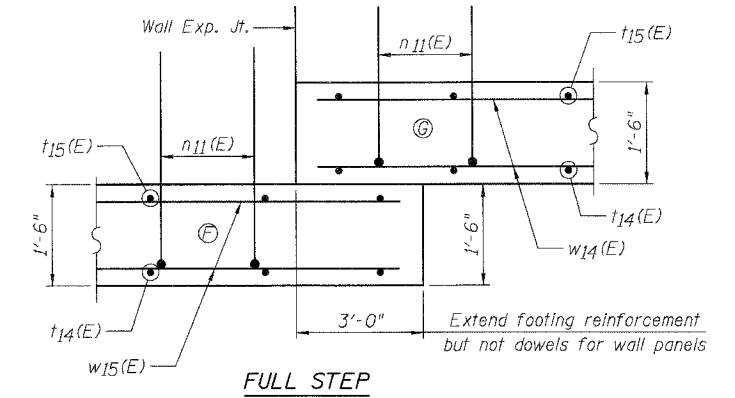
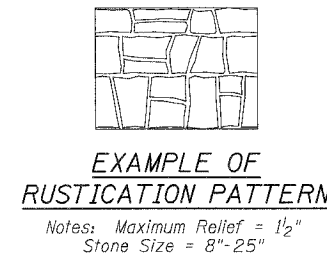
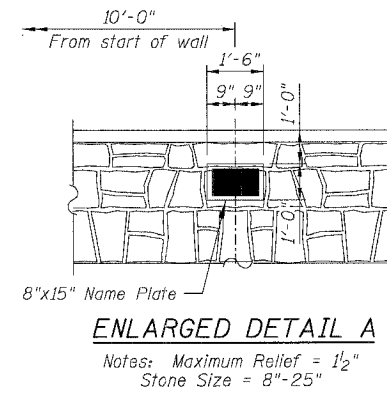
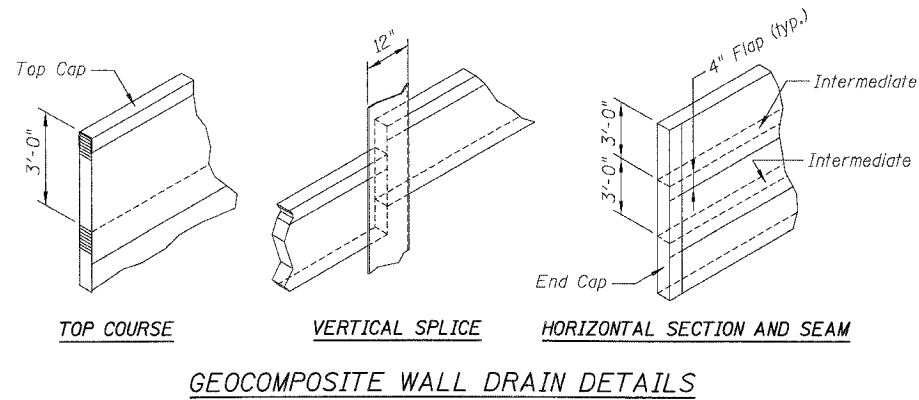


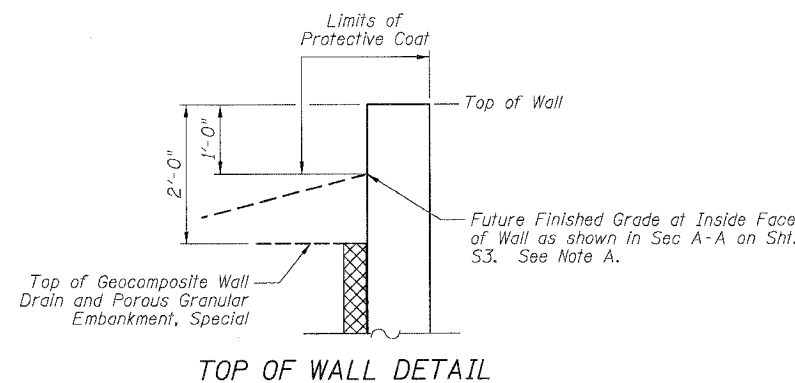
STATE OF ILLINOIS  
DEPARTMENT OF TRANSPORTATION

ROUTE NO.	SECTION	COUNTY	TOTAL SHEETS	SHEET	SHEET NO. S4
S. R. I.	Q	GRUNDY	86	77	OF 57 SHEETS
F.A.U. SHEET					
FED. ROAD DIST. NO. 7	ILLINOIS	FED. AID PROJECT-			

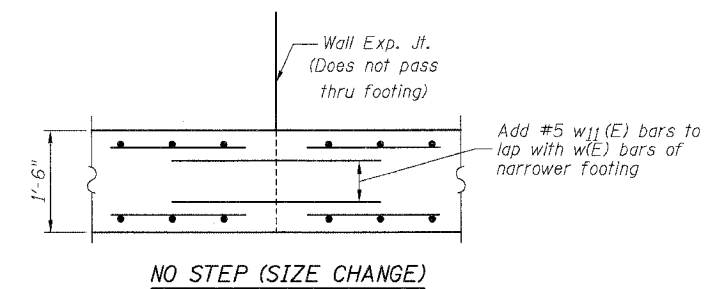
Q-BR



\*Included in the cost of Pipe Underdrains for Structures 4"  
\*\*Provide Impervious back fill on top of footing to maintain pipe underdrain invert as shown on Sheets S1 and S2. Cost included with Structure Excavation.



Note A: See Roadway Plans and cross sections for finish grade for interim stages and completion of this contract. Contractor shall protect geocomposite wall drain during construction as directed by Engineer.



**DETAILS AT FOOTINGS**  
Refer to Shts. S1 and S2 for locations

**WALL DETAILS 2**  
**RETAINING WALL #3**  
**STA. 450+35 TO STA. 459+80**  
**U.S. ROUTE 6**  
**FAU 5952-SEC. Q-BR**  
**GRUNDY COUNTY**  
**S.N. 032-8803**

BOWMAN, BARRETT & ASSOCIATES INC.  
CONSULTING ENGINEERS  
130 E. RANDOLPH STREET  
CHICAGO, ILLINOIS 60601  
JOB NO. 541



DESIGNED	BLU
CHECKED	MRM
DRAWN	LAM
CHECKED	BLU

DATE: 3/19/07