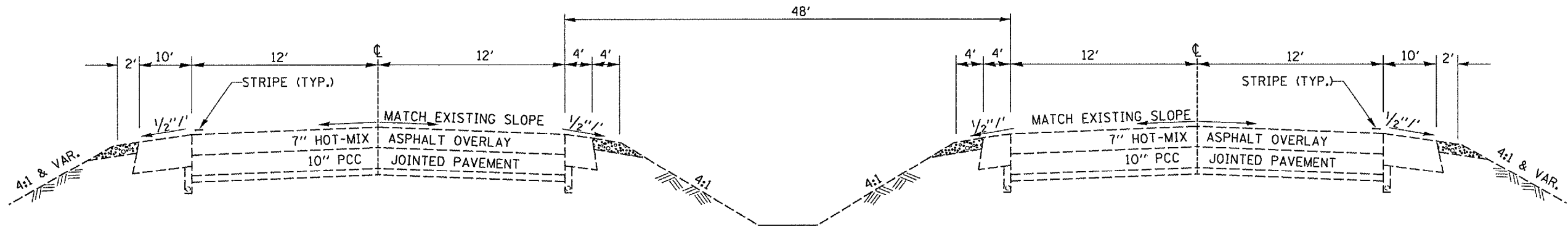


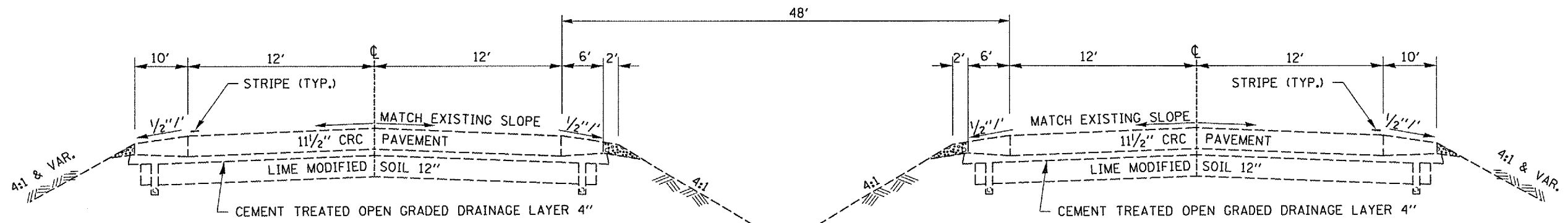
F.A.I. RTE.	SECTION	COUNTY	TOTAL SHEETS	SHEET NO.
80	(50-2)PATCHING	LASALLE	10	4



**MAINLINE
TYPICAL SECTION
M.P. 102.99 TO M.P. 105.41
WEST BOUND**

**MAINLINE
TYPICAL SECTION
M.P. 102.99 TO M.P. 105.41
EAST BOUND**

TYPICAL NO. 1



**MAINLINE
TYPICAL SECTION
M.P. 105.41 TO M.P. 112.12
WEST BOUND**

**MAINLINE
TYPICAL SECTION
M.P. 105.41 TO M.P. 112.12
EAST BOUND**

TYPICAL NO. 2

REVISIONS	
NAME	DATE

ILLINOIS DEPARTMENT OF TRANSPORTATION
TYPICAL SECTIONS
FAI ROUTE 80 (I-80)
SECTION (50-2)PATCHING
LASALLE COUNTY

Date: February 23, 2007
c:/projects/cmain08/cm303/details.dgn