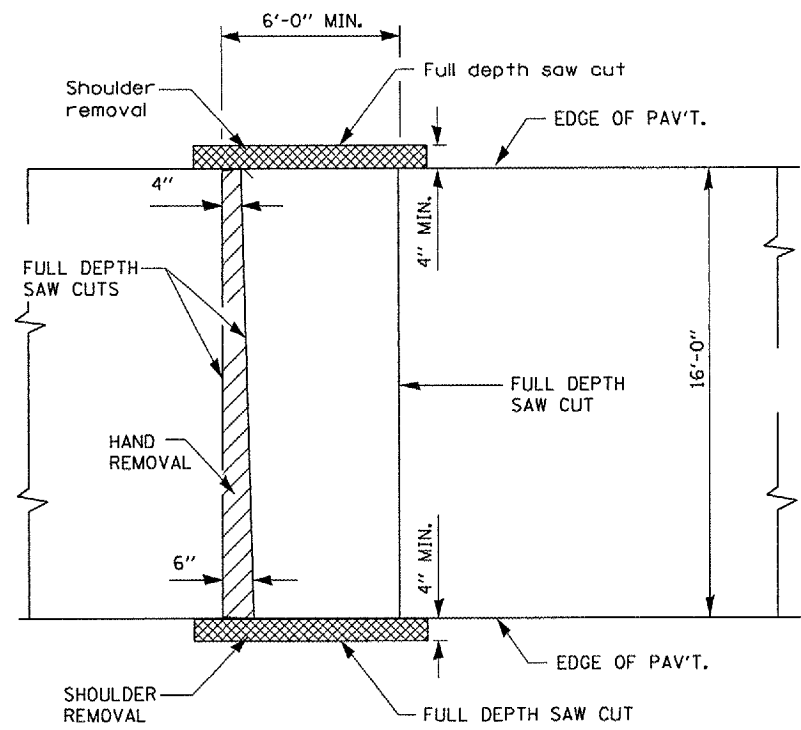


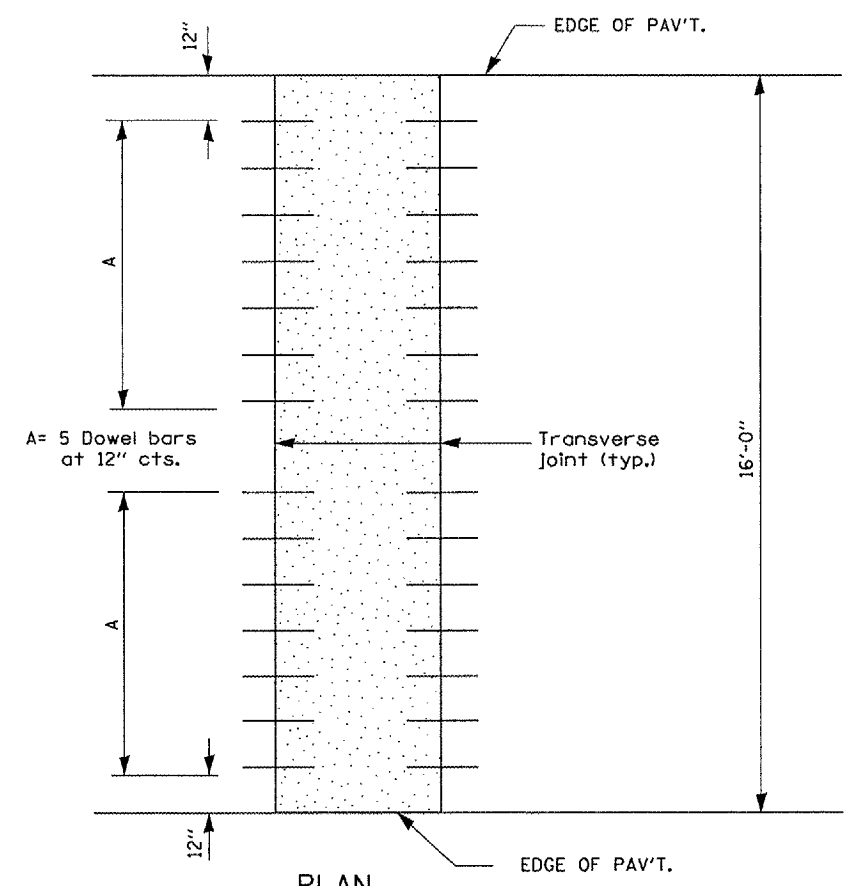
F.A.I. RTE.	SECTION	COUNTY	TOTAL SHEETS	SHEET NO.
39		LASALLE	16	13

*50(1,2,3,4,5,6,7,8)PATCHING

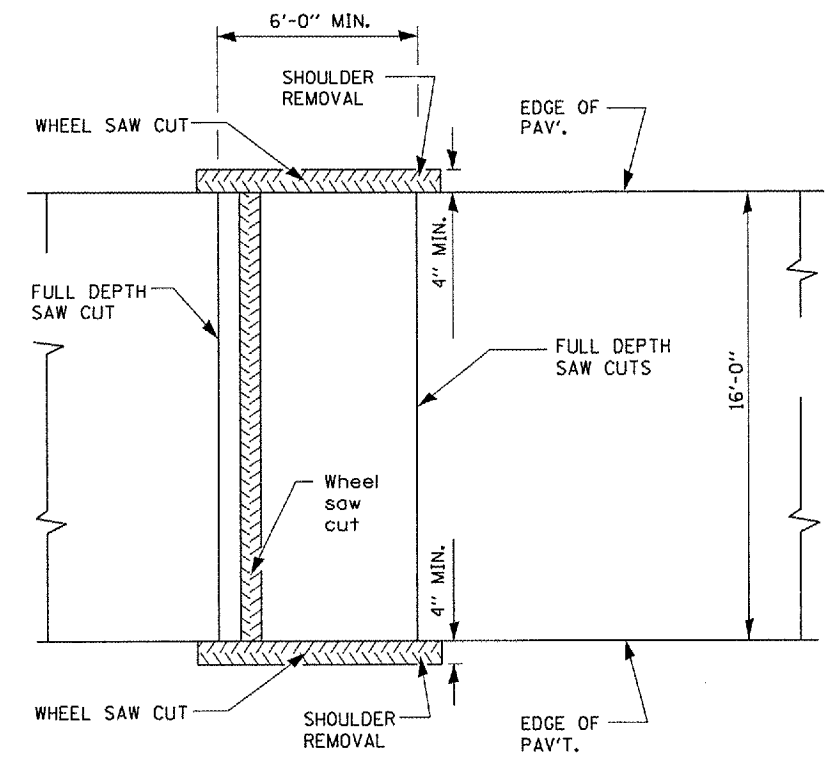


PAVEMENT SAWING DETAIL
(HMA SHOULDER)

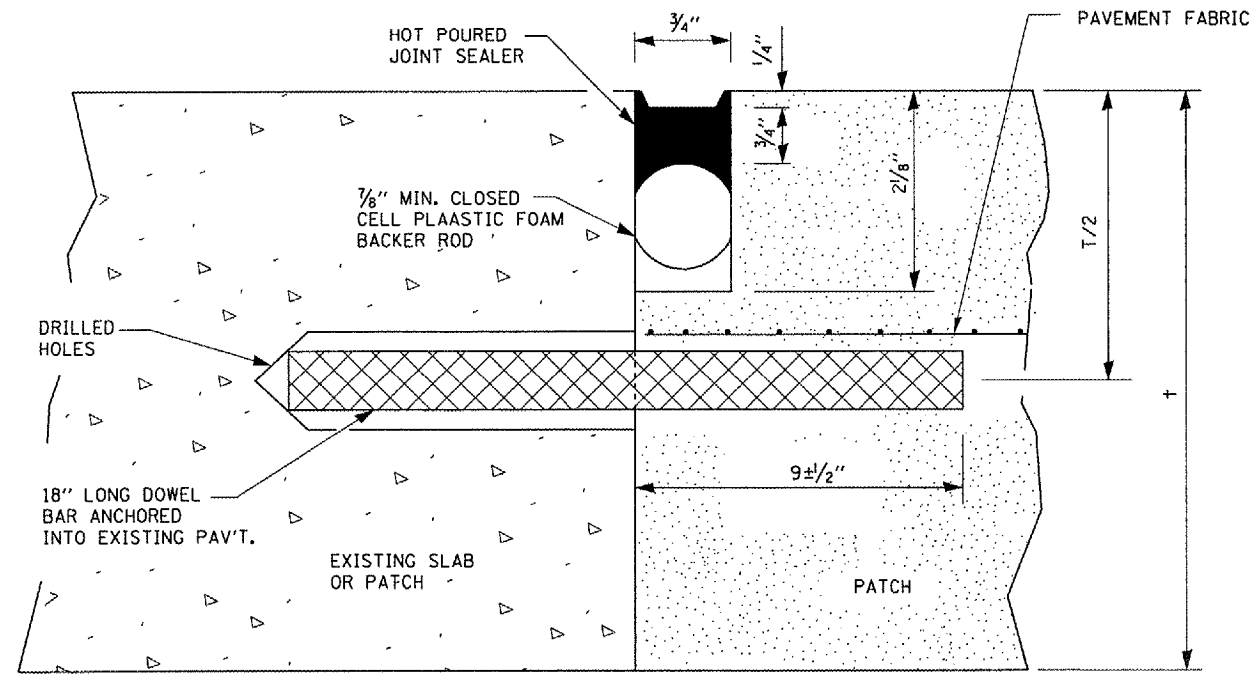
PAVEMENT THICKNESS	DOWEL BAR DIAMETER	HOLE DIAMETER
8" OR GREATER	1 1/2"	1 5/8"



PLAN JOINT DETAIL



ALTERNATE SAWING DETAIL
(HMA SHOULDER)



ELEVATION JOINT DETAIL

GENERAL NOTES

The transverse joints for Class B patches shall align with joints or cracks in the adjacent lane whenever possible.
See Standard 420701 for details of pavement fabric.

REVISIONS	
NAME	DATE

ILLINOIS DEPARTMENT OF TRANSPORTATION
CLASS B PATCHING DETAILS
FAI ROUTE 39 (I-39)
SECTION 50(1,2,3,4,5,6,7,8)PATCHING
LASALLE COUNTY

Date: February 27, 2007
c:/projects/cm304/details.dgn