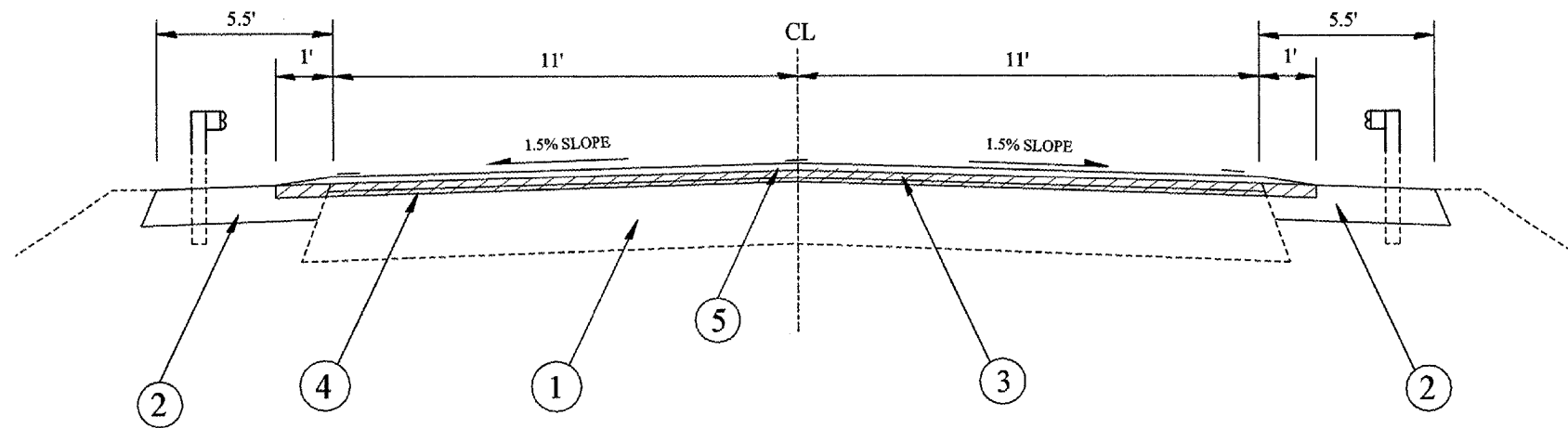
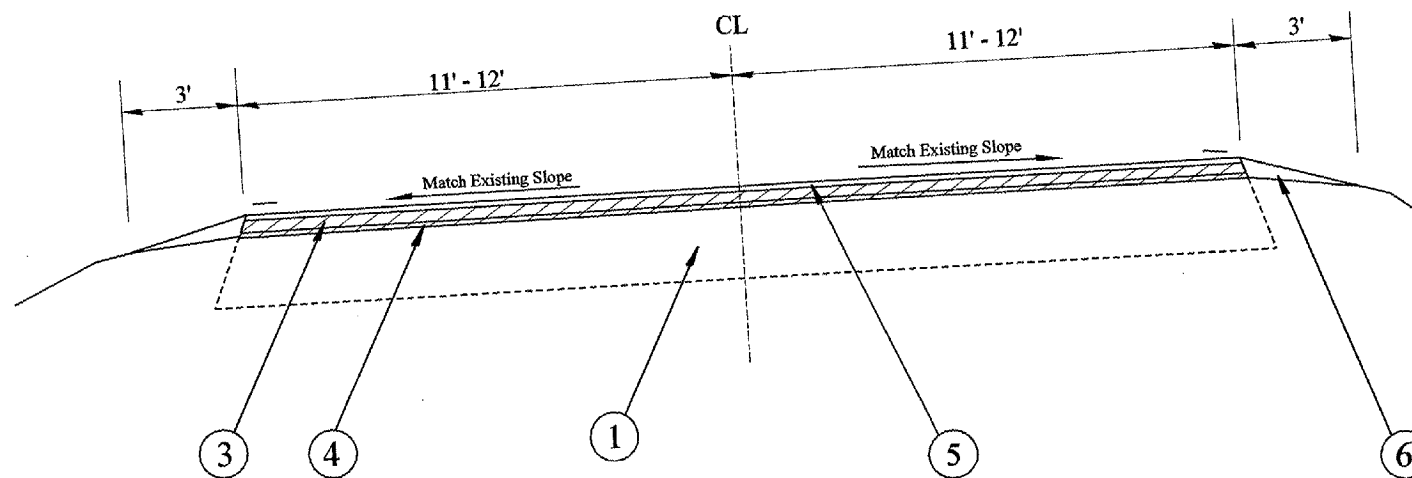


F.A.S. RTE.	SECTION	COUNTY	TOTAL SHEETS	SHEET NO.
2466	(11)RS-3	WOODFORD	23	8

FED. ROAD DIST. NO. - ILLINOIS FED. AID PROJECT



Sta. 267+18.6 to 272+46.6



Thru Superelevated Sections
Sta. 189+43.44 to 197+35.44

LEGEND

- 1. EXISTING PAVEMENT
- 2. EXISTING BITUMINOUS SHOULDER
- 3. PROPOSED HMA SURFACE REMOVAL, 1 1/2"
- 4. PROPOSED POLYMERIZED LEVELING BINDER, N50, 3/4"
- 5. PROPOSED HMA SURFACE CSE, MIX D, N50, 1 1/2"
- 6. PROPOSED AGGREGATE SHOULDER TY B, WEDGE
- 7. EXISTING CONCRETE GUTTER

REVISIONS	
NAME	DATE

ILLINOIS DEPARTMENT OF TRANSPORTATION

TYPICAL SECTIONS
US 150 (FAS 2466)

DRAWN BY
CHECKED BY
DATE