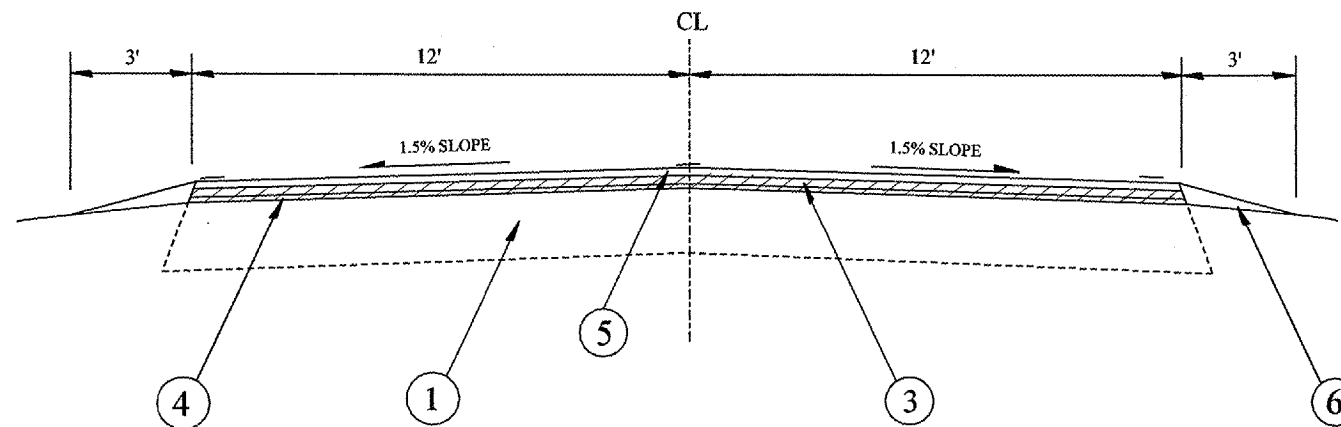
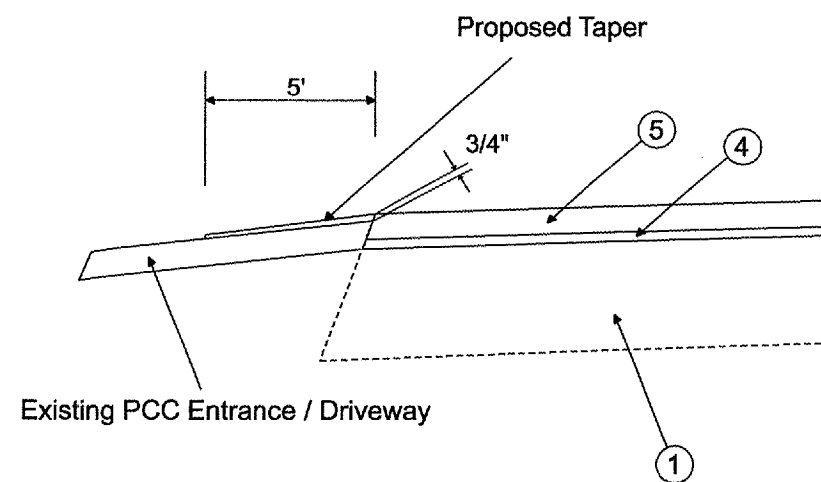


F.A.S. RTE.	SECTION	COUNTY	TOTAL SHEETS	SHEET NO.
2466	(11)RS-3	WOODFORD	23	9
FED. ROAD DIST. NO.		ILLINOIS	FED. AID PROJECT	



Sta. 205+80.24 to 244+62



## LEGEND

1. EXISTING PAVEMENT
2. EXISTING BITUMINOUS SHOULDER
3. PROPOSED HMA SURFACE REMOVAL, 1 1/2"
4. PROPOSED POLYMERIZED LEVELING BINDER, N50, 3/4"
5. PROPOSED HMA SURFACE CSE, MIX D, N50, 1 1/2"
6. PROPOSED AGGREGATE SHOULDER TY B, WEDGE
7. EXISTING CONCRETE GUTTER

### PCC ENTRANCE/DRIVEWAY DETAIL

REVISIONS	
NAME	DATE

ILLINOIS DEPARTMENT OF TRANSPORTATION

TYPICAL SECTIONS  
US 150 (FAS 2466)

DATE \_\_\_\_\_ DRAWN BY \_\_\_\_\_  
CHECKED BY \_\_\_\_\_