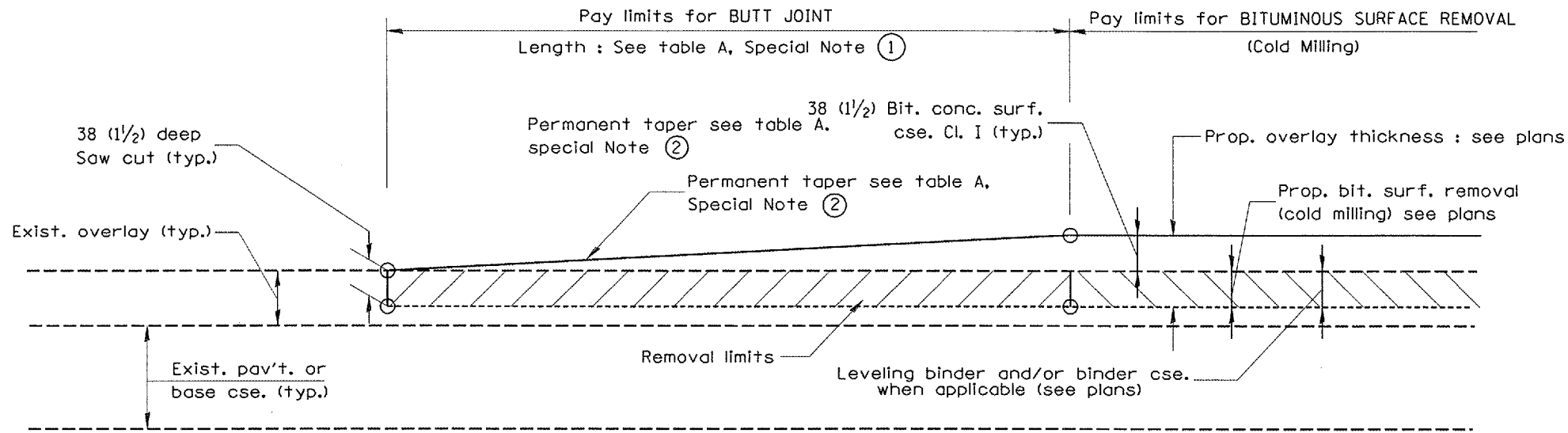


F.A.S. RTE.	SECTION	COUNTY	TOTAL SHEETS	SHEET NO.
2466	(1)RS-1	WOODFORD	23	19



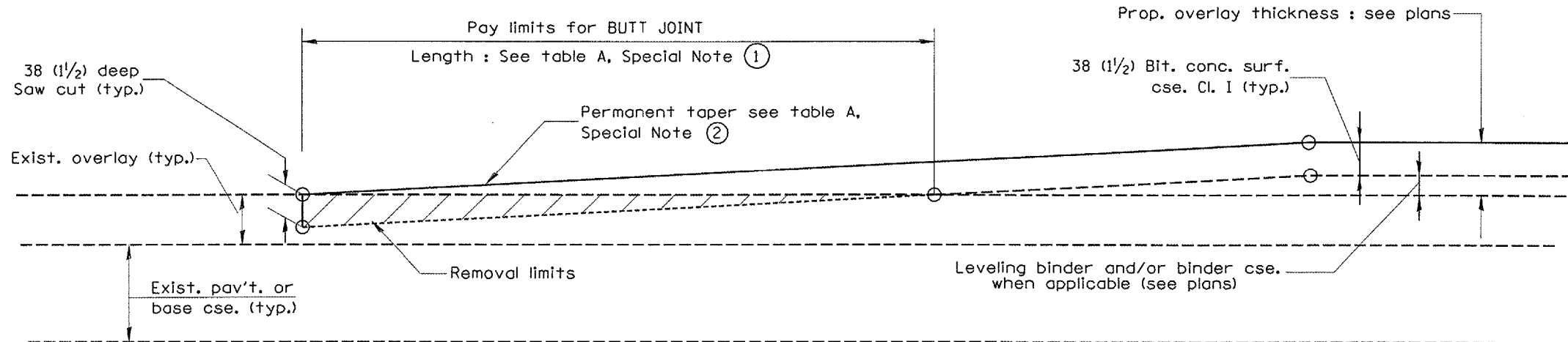
**CASE 1 : WITH BITUMINOUS SURFACE REMOVAL (COLD MILLING)**

**TABLE A**  
(LENGTHS AND TAPER RATES)

SPECIAL NOTE NUMBER	ELEMENT	MAINLINE INTERSTATES & 4-LANE EXPRESSWAYS	ALL OTHERS
①	LENGTH OF BUTT JOINT	18.0 m(60')	9.0 m(30')
②	PERMANENT TAPER RATE	1:480	1:240
③	TEMPORARY RAMP TAPER RATE	1:80	1:40
④	TEMPORARY RAMP LENGTH	3.0 m(10')	1.5 m(5')
⑤	LENGTH OF BUTT JOINT	3.0 m(10')	3.0 m(10')

**GENERAL NOTES**

- The work shall be done in accordance with Article 406.18 and the Special Provision for Butt Joints.
- The pavement surface to be removed may be either bituminous or P.C. concrete. The work shall be performed in accordance with Article 440.03 and the Special Provisions for Butt Joints.
- The saw cut joints shall be primed just prior to the placing of bituminous material. The work will be in accordance with the applicable portions of Article 406.06.



**CASE 2 : NO BITUMINOUS SURFACE REMOVAL (COLD MILLING)**

All dimensions are in millimeters (inches) unless otherwise noted.

ILLINOIS DEPARTMENT OF TRANSPORTATION  
DISTRICT CADD STANDARD

DATE	REVISIONS	BY
1-1-97	RENUM. C-23.01, NEW REVISION BOX	T.P.
4-1-97	CORRECTION TO DEPTH	J.A.
9-15-05	REVISED DESIGNER NOTE	M.M.A.

**BUTT JOINTS**  
CADD STD NO. 406101-D4 SHEET 1 OF 3  
SCALE: NOT DRAWN TO SCALE DRAWN BY CADD  
DATE \*\*DATE\*\* CHECKED BY

DESIGNER NOTES:  
1. Include District Special Provision for Butt Joints & for Bituminous Surface Removal (Cold Milling).  
2. The butt joints pay item includes the saw cut & temporary ramp. Payment for the Butt Joint applies whether or not the project features Bituminous Surface Removal (Cold Milling).

\*\*DATE\*\*