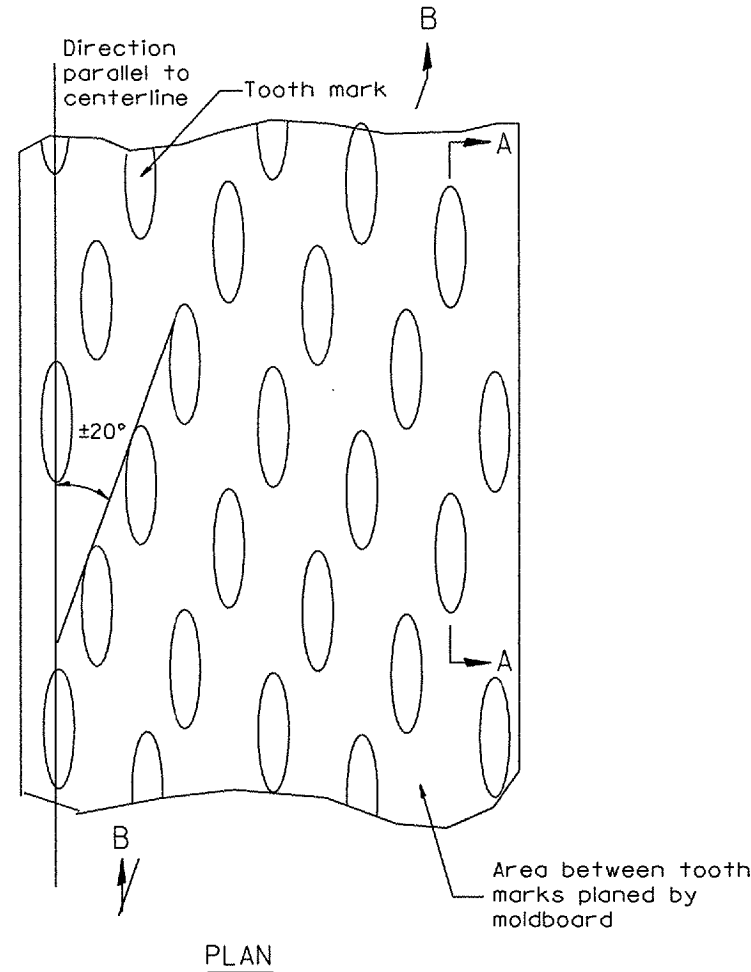
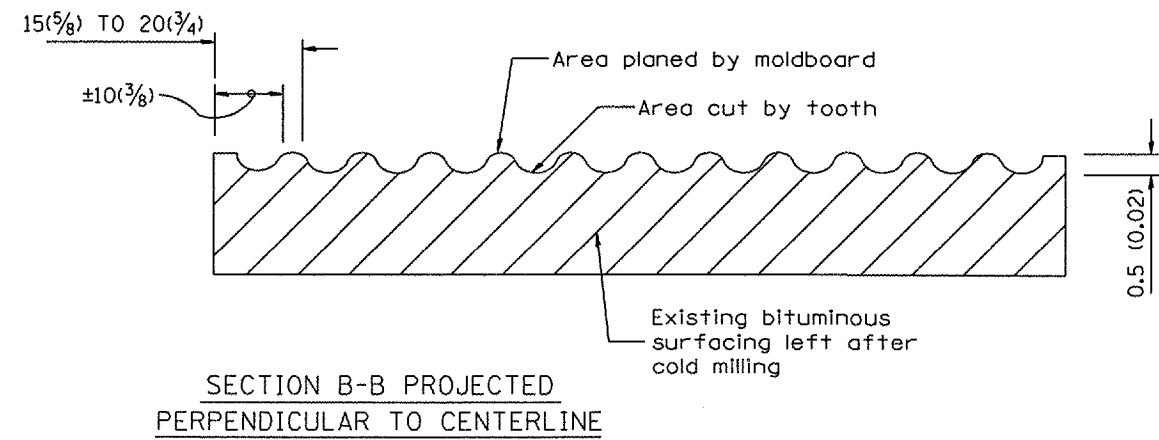
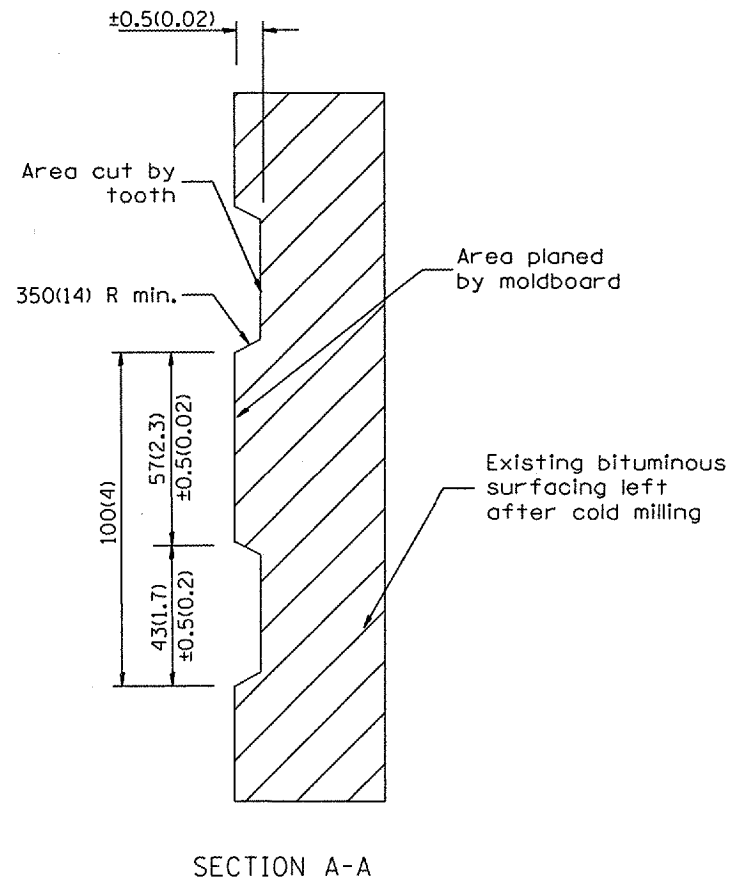


F.A.S. RTE.	SECTION	COUNTY	TOTAL SHEETS	SHEET NO.
2466	01RS-1	WOODFORD	23	22



General notes:

1. Coldmilling shall consist of two processes: Cutting with carbide teeth mounted on a rotating drum, and planing with a moldboard mounted immediately behind the cutting drum.
2. Other similar patterns will be acceptable if they consist of a smooth, flat, planed surface interspersed with a pattern of discontinuous longitudinal striations.



DESIGNER NOTE
1. INCLUDE DISTRICT SPECIAL PROVISION, IF APPLICABLE.

DATE

All dimensions are in millimeters (inches) unless otherwise noted.

ILLINOIS DEPARTMENT OF TRANSPORTATION
DISTRICT CADD STANDARD

BITUMINOUS SURFACE REMOVAL (COLD MILLING)

CADD STD NO. 440001-D4
SCALE: NOT DRAWN TO SCALE
DRAWN BY CADD
CHECKED BY

DATE	REVISIONS	BY
1-1-97	RENUM. C-104.01, NEW REVISION BOX	T. P.
4-20-98	REMOVED MILLING DETAIL FROM STD.	J. A.
9-08-98	CORRECT NOTE LEADER PLACEMENT	R. W.