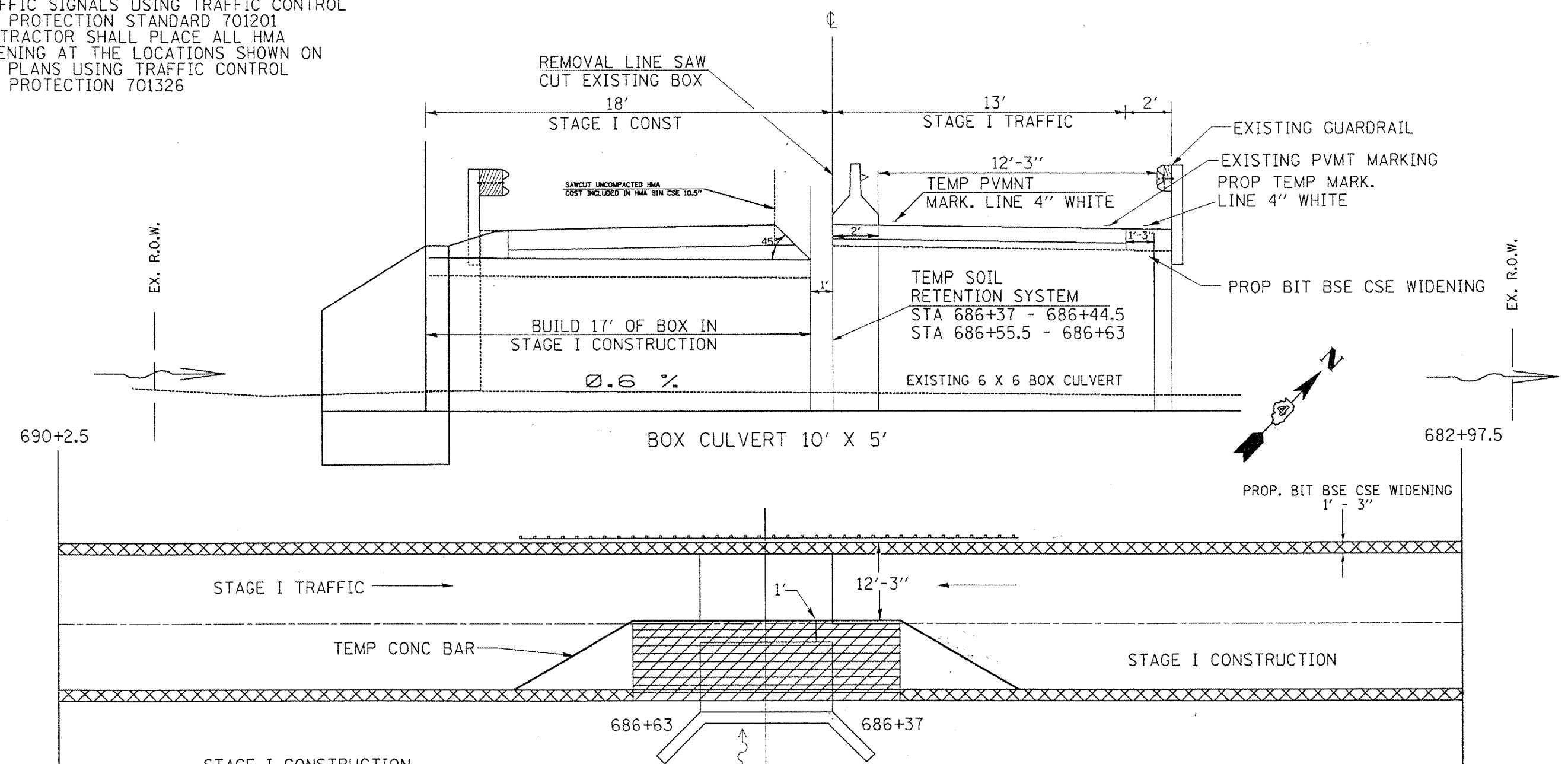


| F.A.P. RTE. | SECTION | COUNTY | TOTAL SHEETS | SHEET NO. |
|---------------------|----------|------------------|--------------|-----------|
| 685 | | McDONOUGH | 30 | 8 |
| STA. | | TO STA. | | |
| FED. ROAD DIST. NO. | ILLINOIS | FED. AID PROJECT | | |

PRE-STAGE I CONST

CONTRACTOR SHALL INSTALL TEMPORARY TRAFFIC SIGNALS USING TRAFFIC CONTROL AND PROTECTION STANDARD 701201
 CONTRACTOR SHALL PLACE ALL HMA WIDENING AT THE LOCATIONS SHOWN ON THE PLANS USING TRAFFIC CONTROL AND PROTECTION 701326

STAGE I CONSTRUCTION
 (Looking South)



STAGE I CONSTRUCTION

INSTALL TEMPORARY BARRICADES, SIGNS, AND TEMPORARY PAVEMENT MARKINGS AS DETAILED ON TRAFFIC CONTROL AND PROTECTION STANDARD 701301.

EXISTING GUARDRAIL ON WEST SIDE IS TO REMAIN IN PLACE DURING STAGE I CONSTRUCTION AND NEW GUARDRAIL MUST BE ERECTED BEFORE OPENING LANE TO TRAFFIC.

INSTALL TEMPORARY EARTH RETAINING SYSTEM.

PERFORM WORK SUCH AS; PAV. REM., GUARDRAIL REM., STRUCTURE REM., REM. OF UNSUITABLE, CAST IN PLACE BOX CULVERT, BACKFILL, HMA BIN. CSE., AND ALL COLLATERAL WORK FOR THE EAST SIDE OF THE ROAD.

- ▨ HMA BSE CSE WID
- ▨ CONSTRUCTION ZONE
- ▨ HMA BIN CSE

| REVISIONS | |
|-----------|------|
| NAME | DATE |
| | |
| | |
| | |
| | |
| | |
| | |
| | |
| | |
| | |
| | |

ILLINOIS DEPARTMENT OF TRANSPORTATION
STAGING PLAN
 SCALE: VERT. DATE
 HORIZ. DRAWN BY
 CHECKED BY

PLOT DATE = 4/28/2007
 FILE NAME = #FILE#\GEN\DRAP\STDFLANS\BOUND\jacob\jacob\staplans\staplans.dgn
 PLOT SCALE = 1/8"=1'-0"
 USER NAME = bruceb