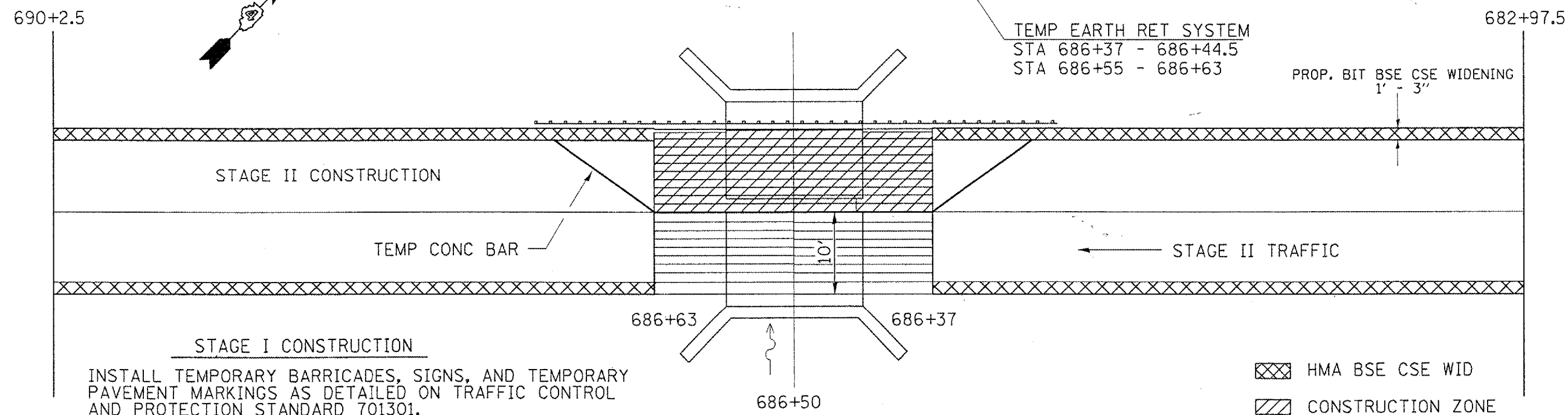
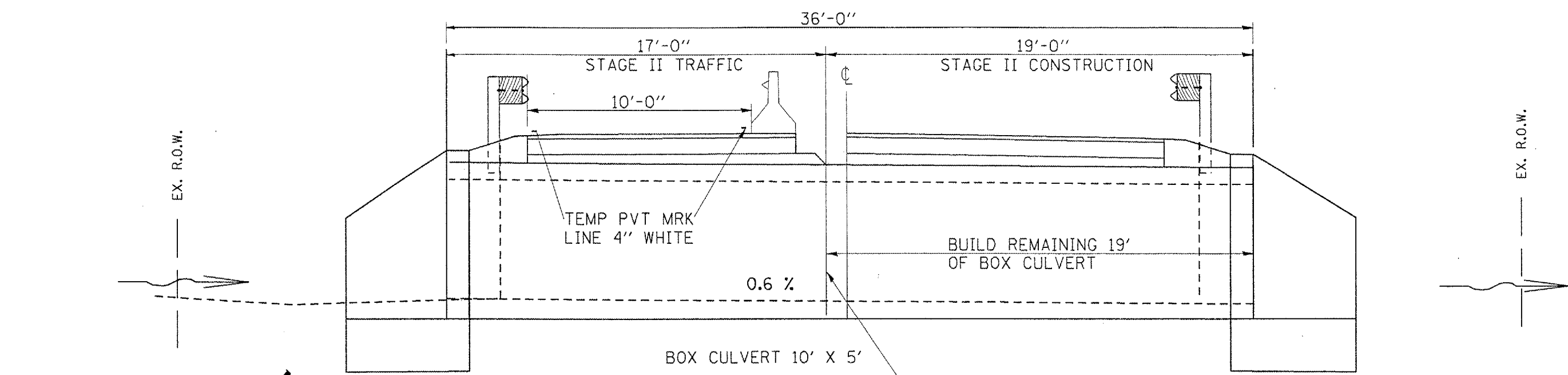


F.A.P. RTE.	SECTION	COUNTY	TOTAL SHEETS	SHEET NO.
685		MCDONOUGH	30	9
STA.		TO STA.		
FED. ROAD DIST. NO.		ILLINOIS	FED. AID PROJECT	

STAGE II CONSTRUCTION

(Looking South)



- HMA BSE CSE WID
- CONSTRUCTION ZONE
- HMA BIN CSE

STAGE I CONSTRUCTION
 INSTALL TEMPORARY BARRICADES, SIGNS, AND TEMPORARY PAVEMENT MARKINGS AS DETAILED ON TRAFFIC CONTROL AND PROTECTION STANDARD 701301.

EXISTING GUARDRAIL ON WEST SIDE IS TO REMAIN IN PLACE DURING STAGE I CONSTRUCTION AND NEW GUARDRAIL MUST BE ERECTED BEFORE OPENING LANE TO TRAFFIC.

INSTALL TEMPORARY EARTH RETAINING SYSTEM.

PERFORM WORK SUCH AS; PAV. REM., GUARDRAIL REM., STRUCTURE REM., REM. OF UNSUITABLE, CAST IN PLACE BOX CULVERT, BACKFILL, HMA BIN. CSE., AND ALL COLLATERAL WORK FOR THE EAST SIDE OF THE ROAD.

STAGE III
 CONTRACTOR SHALL COMPLETE MILLING, PAVING, STRIPING OPERATIONS ACCORDING TO THE PLANS. USING TRAFFIC CONTROL AND PROTECTION STANDARD 701306, 701311.

REVISIONS	
NAME	DATE

ILLINOIS DEPARTMENT OF TRANSPORTATION

STAGING PLAN

SCALE: VERT. _____
 DATE _____

DRAWN BY _____
 CHECKED BY _____

LOT DATE = 4/28/2007
 FILE NAME = I:\PROJECTS\GEN\GEN\ST02\PLANS\3004014\jacob\jacob\st02\plan\st02\staging\staging.dgn
 USER = jacob
 PLOT DATE = 07/28/06 at 7:14
 PLOT BY = jacob