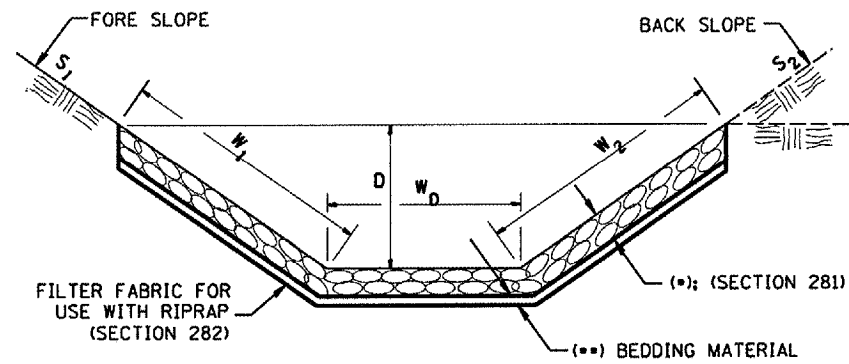


F.A.P. RTE.	SECTION	COUNTY	TOTAL SHEETS	SHEET NO.
685		McDONOUGH		15
STA.	TO STA.			
FED. ROAD DIST. NO.	ILLINOIS	FED. AID PROJECT		

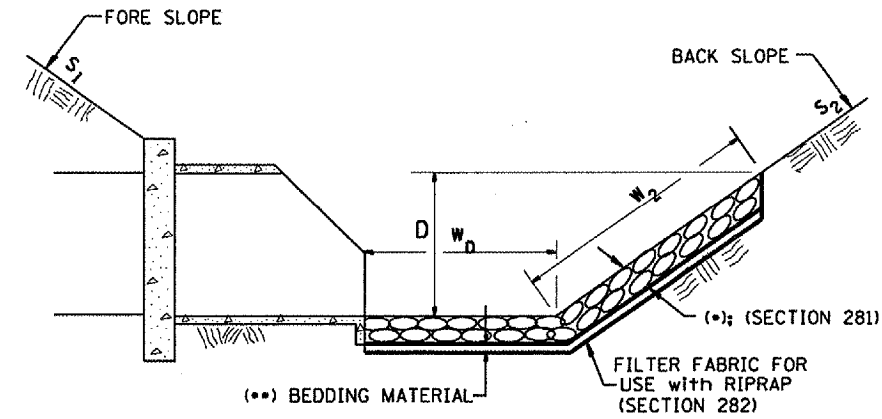
**CASE 1  
(DITCH)**



(*)				
LOCATION	WIDTH (1)	LENGTH	RIPRAP	FABRIC
STA TO STA	lin ft (m)	lin ft (m)	tons (m tons)	sq yds (m <sup>2</sup> )
TOTAL				

(1) WIDTH =  $W_1 + W_2 + W_0$

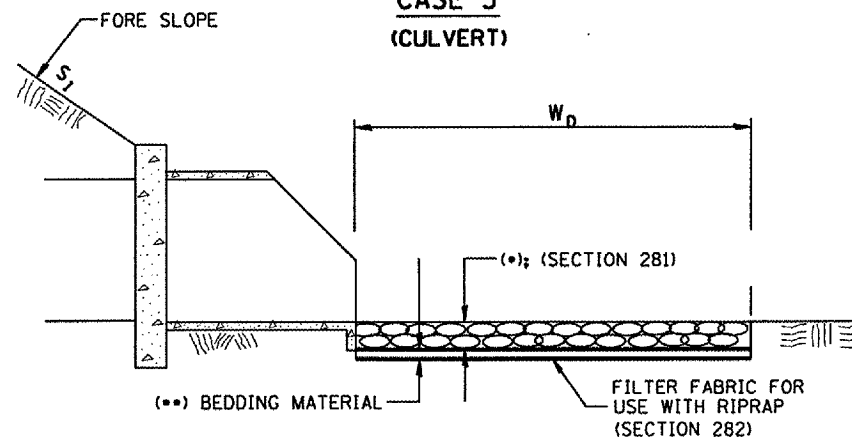
**CASE 2  
(CULVERT & SLOPE)**



(*)				
LOCATION	WIDTH (1)	LENGTH	RIPRAP	FABRIC
STA TO STA	lin ft (m)	lin ft (m)	tons (m tons)	sq yds (m <sup>2</sup> )
TOTAL				

(1) WIDTH =  $W_2 + W_0$

**CASE 3  
(CULVERT)**



(*)				
LOCATION	WIDTH (1)	LENGTH	RIPRAP	FABRIC
STA TO STA	lin ft (m)	lin ft (m)	tons (m tons)	sq yds (m <sup>2</sup> )
TOTAL				

(1) WIDTH =  $W_0$

All slope ratios are expressed as units of vertical displacement to units of horizontal displacement (V:H).  
All dimensions are in inches (millimeters) unless otherwise noted.

ILLINOIS DEPARTMENT OF TRANSPORTATION  
SPECIAL DETAIL SHEET

RIPRAP DITCH FOR EROSION PROTECTION

CADD DETAIL 281001-D4  
SCALE: NOT DRAWN TO SCALE  
DRAWN BY CADD  
CHECKED BY

DATE	REVISIONS	BY
1-1-97	RENUM. A-12.02, NEW REVISION BOX	T.P.
12-1-97	CORRECT FILTER FABRIC LEADER ARROW	J.A.
10-16-06	REVISED TO 2007 SPEC.	M.A.

1. Designer to modify this Special Detail Sheet, as needed for inclusion in plans.
2. (\*) Designer to specify pay item including material, quality, and gradation.
3. (\*\*\*) Designer to specify thickness of bedding material.
4. Include District Special Provision if needed.

\$\$\$DATE\$\$\$