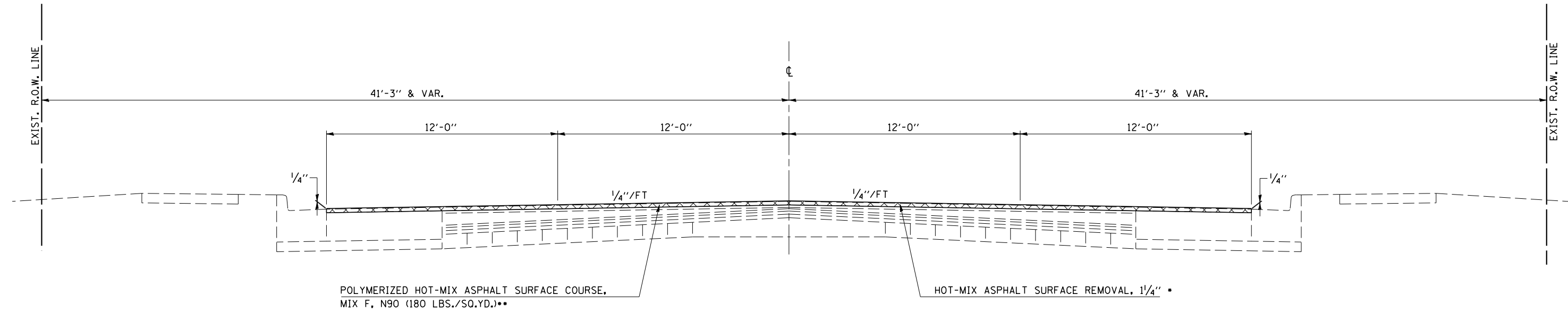


F.A.P. RTE.	SECTION	COUNTY	TOTAL SHEETS	SHEET NO.
332	.	VERMILION	62	26

• (47Z-3)RS-1 & (52CS,4BZ-1)RS-3  
CONTRACT NO. 70185

### 9 PROPOSED TYPICAL CROSS SECTION

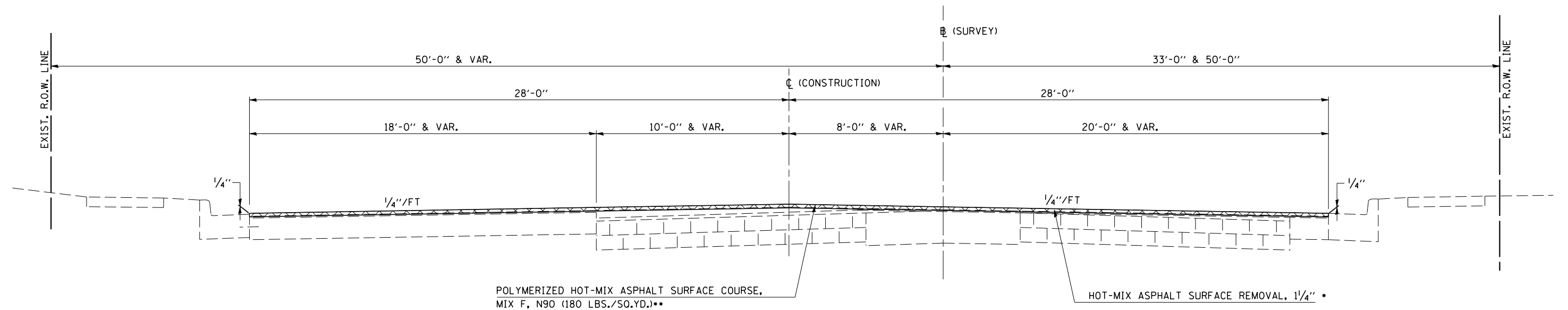
8 STA 129+16.10 TO STA 175+25.00 (VERMILION ST.) 10



- THE POLYMERIZED HOT-MIX ASPHALT SURFACE COURSE, MIX F, N90 HAS BEEN CALCULATED AT 120 LB/SQ.YD./IN.
- THE MILLING SHOULD BEGIN AT THE E.O.P. MILL 1/4" DOWN AND CARRY THE SLOPE OF 1/4"/FT TOWARDS CENTERLINE.

### 10 PROPOSED TYPICAL CROSS SECTION

9 STA 175+25.00 TO STA 183+00.00 (VERMILION ST.)



- THE POLYMERIZED HOT-MIX ASPHALT SURFACE COURSE, MIX F, N90 HAS BEEN CALCULATED AT 120 LB/SQ.YD./IN.
- THE MILLING SHOULD BEGIN AT THE E.O.P. MILL 1/4" DOWN AND CARRY THE SLOPE OF 1/4"/FT TOWARDS CENTERLINE.