

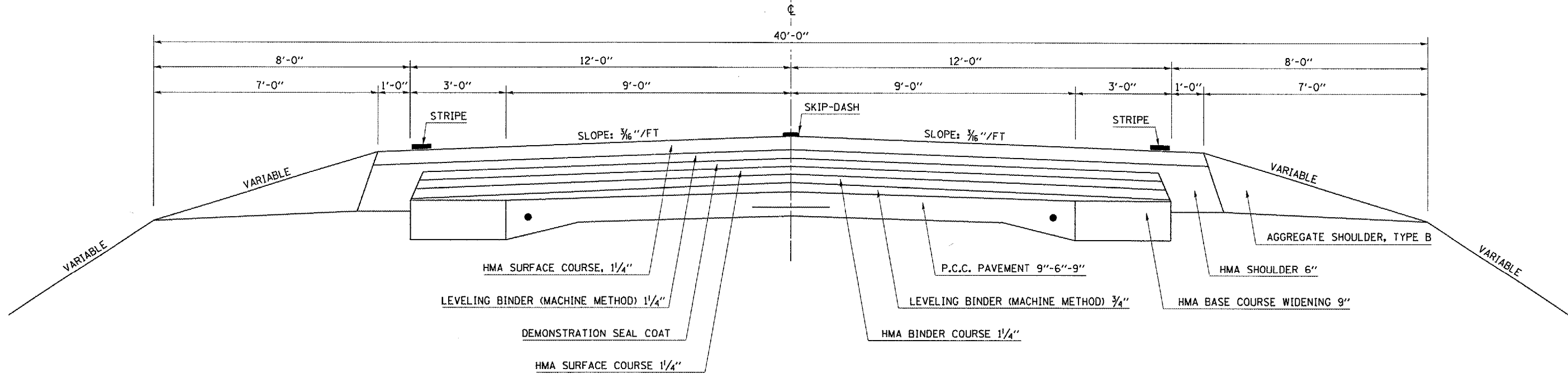
F.A.P. RTE.	SECTION	COUNTY	TOTAL SHEETS	SHEET NO.
820	*	DOUGLAS	57	8

* (37,37-1,2&3)RS-1

EXISTING TYPICAL CROSS SECTION 3

IL 133 - THRU INTERSECTION WITH IL 130

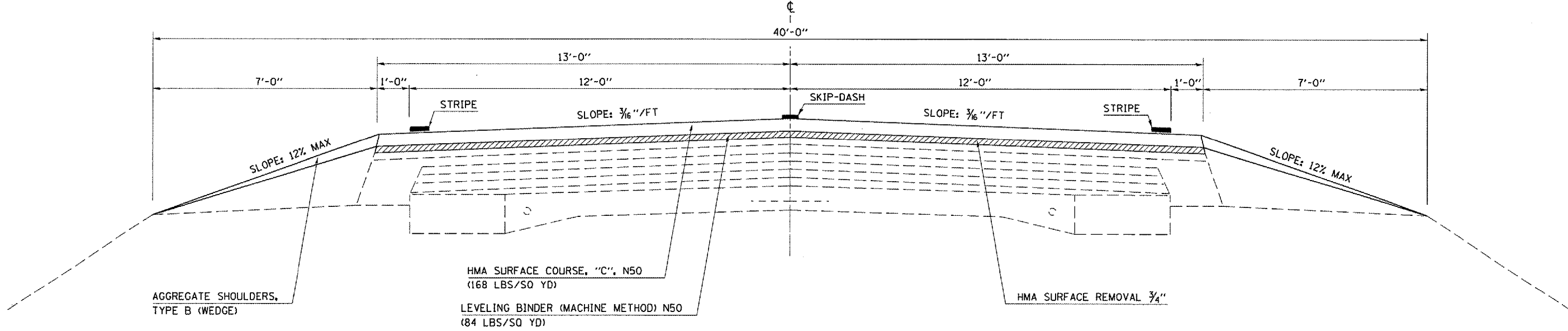
STATION 372+30 TO STATION 375+12



PROPOSED TYPICAL CROSS SECTION 3

IL 133 - THRU INTERSECTION WITH IL 130

STATION 372+30 TO STATION 375+12



PLOT DATE = 3/26/2007
 FILE NAME = c:\projects\d507002 (v8)\typicals.dgn
 PLOT SCALE = 105.8824' / IN.
 USER NAME = phillips,jr