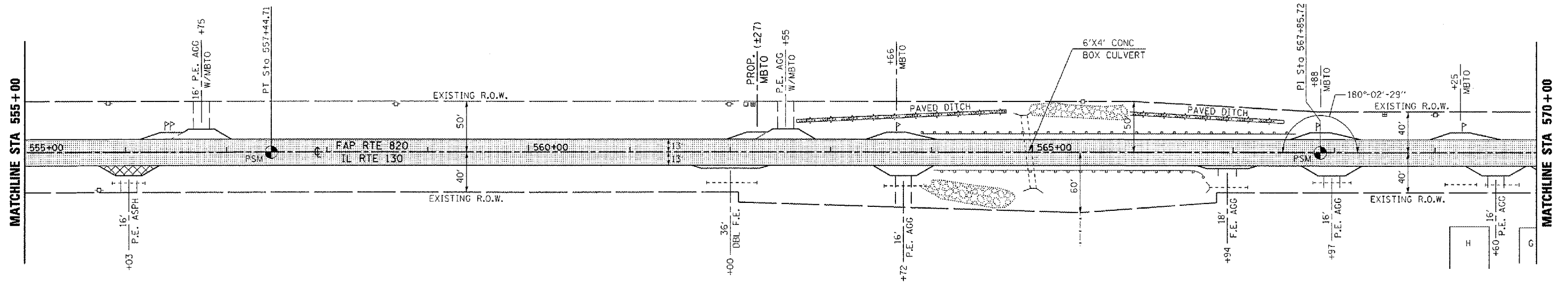


SEC 10, T15N, R9E, 3rd PM

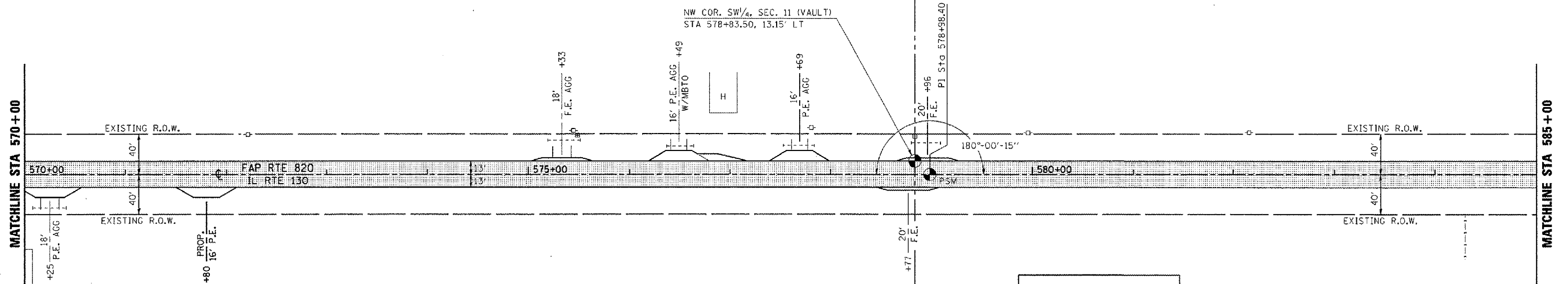
CONTRACT NO. 70276			
F.A.P. RTE.	SECTION	COUNTY	TOTAL SHEETS
820	*	DOUGLAS	57
STA. 555+00		TO STA. 585+00	
* (37,37-1,2&3)RS-1			



	HMA SURFACE REMOVAL BUTT JOINT (PRIVATE ENTR.)
	HMA SURFACE REMOVAL, 3/4"

SEC 11, T15N, R9E, 3rd PM

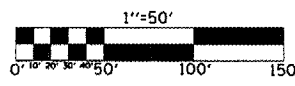
SEC 10, T15N, R9E, 3rd PM



	HMA SURFACE REMOVAL, 3/4"
--	---------------------------

SEC 11, T15N, R9E, 3rd PM

PLOT DATE = 3/26/2007
 FILE NAME = c:\projects\11597082 (v.8)\70276\encl.dgn
 PLOT SCALE = 1/8"=50'
 USER NAME = philips,r



ILLINOIS DEPARTMENT OF TRANSPORTATION

PLAN VIEW

F.A.P. ROUTE 820 (IL 130)
SECTION (37,37-1,2&3)RS-1
DOUGLAS COUNTY

SCALE: 1" = 50'
 DATE: 12/28/06

DRAWN BY: JRP
 CHECKED BY:

STA 555+00 TO STA 585+00