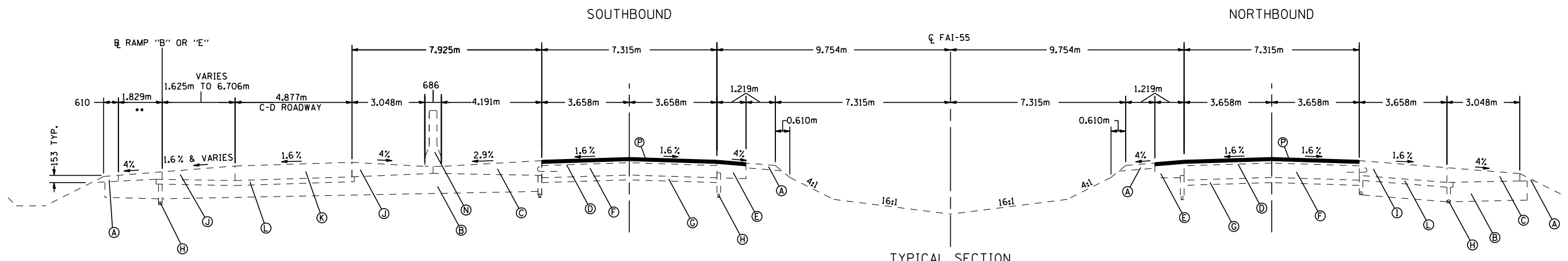


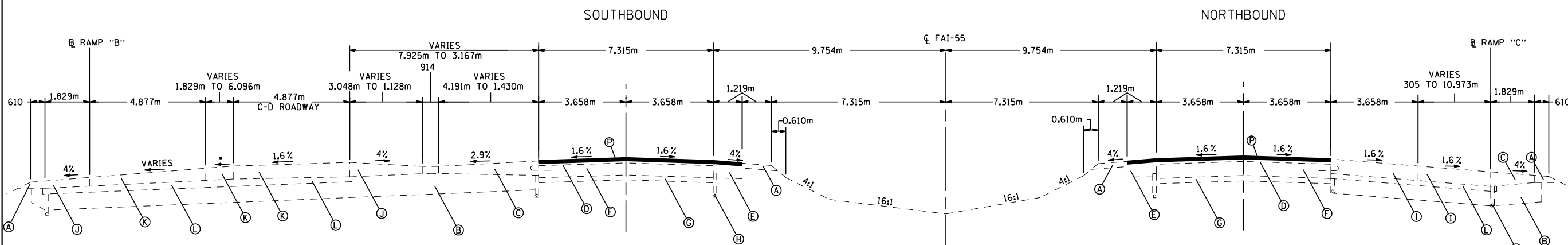
F.A. RTE.	SECTION	COUNTY	TOTAL SHEETS	SHEET NO.
55		McCLEAN	40	16
STA.		TO STA.		
FED. ROAD DIST. NO.		ILLINOIS FED. AID PROJECT		
• (57-4)RS-3 & I				

•• VARIES 3.048m TO 1.829m
STA. 37+407.430 TO STA. 37+370.823



TYPICAL SECTION

STA. 37+231.545 TO STA. 37+412.956 N.B.
STA. 37+255.030 TO STA. 37+410.902 S.B.
(BRIDGE OMISSION: STA. 37+412.956 TO STA. 37+537.555 N.B)
STA. 37+410.902 TO STA. 37+535.440 S.B.)



TYPICAL SECTION

STA. 37+084.421 TO STA. 37+231.545 N.B.
STA. 37+017.154 TO STA. 37+255.030 S.B.

- (A) EXISTING AGGREGATE SHOULDER, TYPE B
- (B) EXISTING LIME MODIFIED SOIL, 305 mm
- (C) EXISTING P.C.C. SHOULDERS, 305 mm
- (D) EXISTING HOT MIX ASPHALT OVERLAY, 108 mm & VARIES
- (E) EXISTING HOT MIX ASPHALT SHOULDERS
- (F) EXISTING P.C.C. PAVEMENT, 254 mm
- (G) EXISTING SUB GRANULAR MATERIAL, 153 mm
- (H) EXISTING SUB-SURFACE DRAINAGE SYSTEM
- (I) EXISTING P.C.C. PAVEMENT, 305 mm
- (J) EXISTING P.C.C. SHOULDER, 273 mm
- (K) EXISTING P.C.C. PAVEMENT, 273 mm
- (L) EXISTING STABILIZED SUB-BASE, 102 mm
- (M) EXISTING P.C.C. APPROACH SLAB, 305 mm
- (N) EXISTING DOUBLE FACED CONCRETE BARRIER
- (O) EXISTING POROUS GRANULAR EMBANKMENT, SUBGRADE 300 mm

(P) HOT MIX ASPHALT SURFACE REMOVAL 35 mm AND
POLYMERIZED HOT MIX ASPHALT SURFACE
COURSE, MIX E, N105 38 mm

PROPOSED TYPICAL SECTIONS
FAI 55 (I-55)
SECTION (57-4)RS-3 & I
McCLEAN COUNTY

• VARIES TO Ø