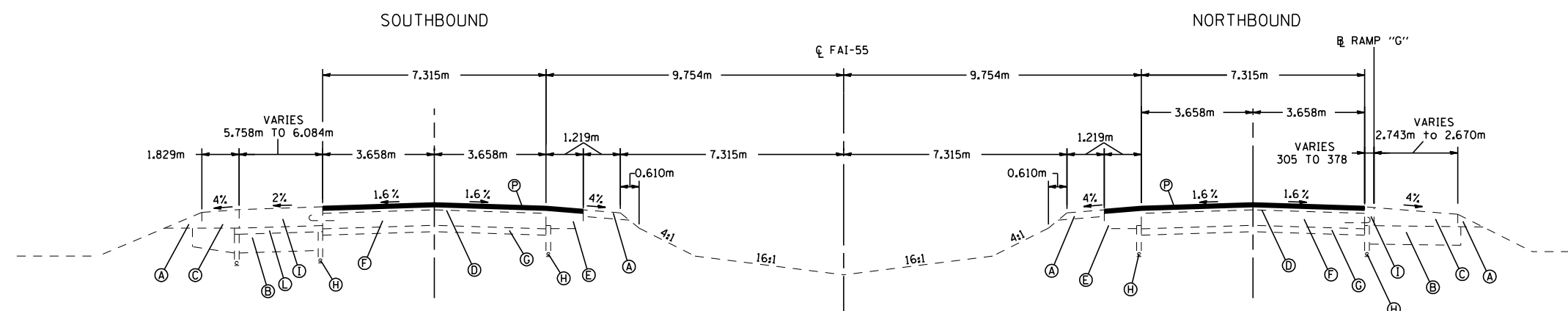
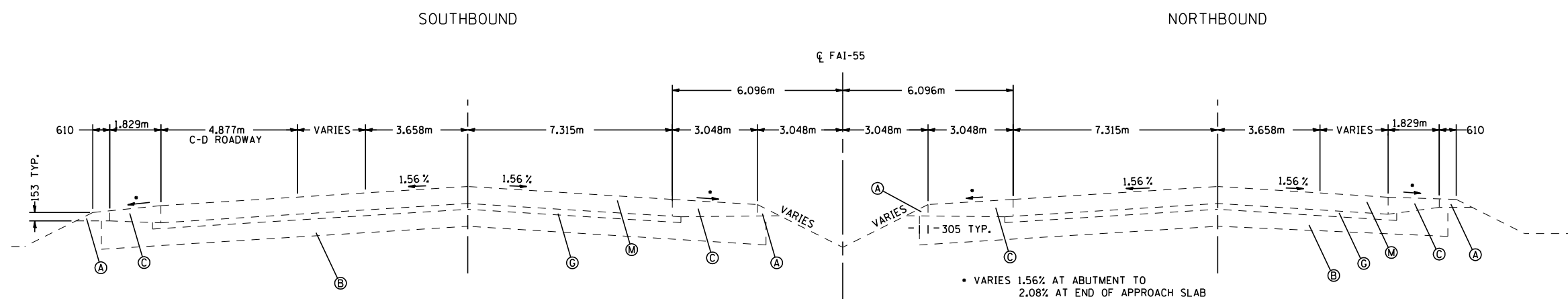


F.A. RTE.	SECTION	COUNTY	TOTAL SHEETS	SHEET NO.
55		McCLEAN	40	20
STA.		TO STA.		
FED. ROAD DIST. NO.		ILLINOIS FED. AID PROJECT		
• (57-4)RS-3 & I				



TYPICAL SECTION  
 STA. 38+317.995 TO STA. 38+321.655 N.B.  
 STA. 38+315.520 TO STA. 38+321.655 S.B.



TYPICAL SECTION  
 STA. 38+210.808 TO STA. 38+241.288 AND STA. 38+287.515 TO STA. 38+317.995 N.B.  
 STA. 38+208.333 TO STA. 38+238.813 AND STA. 38+285.040 TO STA. 38+315.520 S.B.  
 BRIDGE OMISSION: STA. 38+241.288 TO STA. 38+287.515 N.B.  
 STA. 38+238.813 TO STA. 38+285.040 S.B.

- (A) EXISTING AGGREGATE SHOULDER, TYPE B
- (B) EXISTING LIME MODIFIED SOIL, 305 mm
- (C) EXISTING P.C.C. SHOULDERS, 305 mm
- (D) EXISTING HOT MIX ASPHALT OVERLAY, 108 mm & VARIES
- (E) EXISTING HOT MIX ASPHALT SHOULDERS
- (F) EXISTING P.C.C. PAVEMENT, 254 mm
- (G) EXISTING SUB GRANULAR MATERIAL, 153 mm
- (H) EXISTING SUB-SURFACE DRAINAGE SYSTEM
- (I) EXISTING P.C.C. PAVEMENT, 305 mm
- (J) EXISTING P.C.C. SHOULDER, 273 mm
- (K) EXISTING P.C.C. PAVEMENT, 273 mm
- (L) EXISTING STABILIZED SUB-BASE, 102 mm
- (M) EXISTING P.C.C. APPROACH SLAB, 305 mm
- (N) EXISTING DOUBLE FACED CONCRETE BARRIER
- (O) EXISTING POROUS GRANULAR EMBANKMENT, SUBGRADE 300 mm

(P) HOT MIX ASPHALT SURFACE REMOVAL 35 mm AND  
 POLYMERIZED HOT MIX ASPHALT SURFACE  
 COURSE, MIX E, N105 38 mm

PROPOSED TYPICAL SECTIONS  
 FAI 55 (I-55)  
 SECTION (57-4)RS-3 & I  
 McCLEAN COUNTY