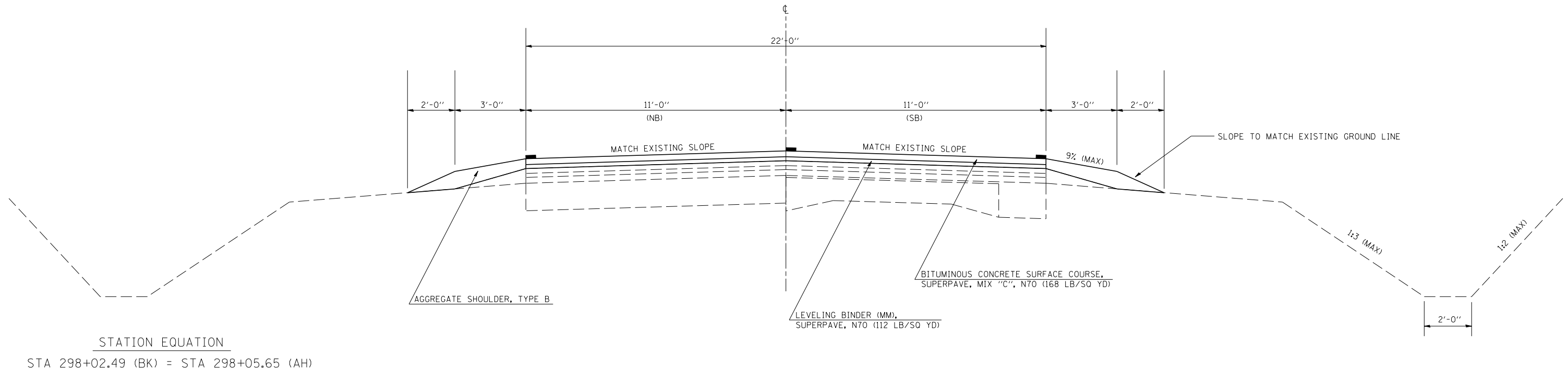


F.A.S. RTE.	SECTION	COUNTY	TOTAL SHEETS	SHEET NO.
518	(380)RS	_CHAMPAIGN	38	12

CONTRACT NO. 70587

PROPOSED TYPICAL 5 CROSS SECTION

4 STA 298+05.65 TO STA 303+50.00 6



PROPOSED TYPICAL 6 CROSS SECTION

3 STA 290+86.00 TO STA 297+00.00 4

5 STA 303+50.00 TO STA 308+59.63

