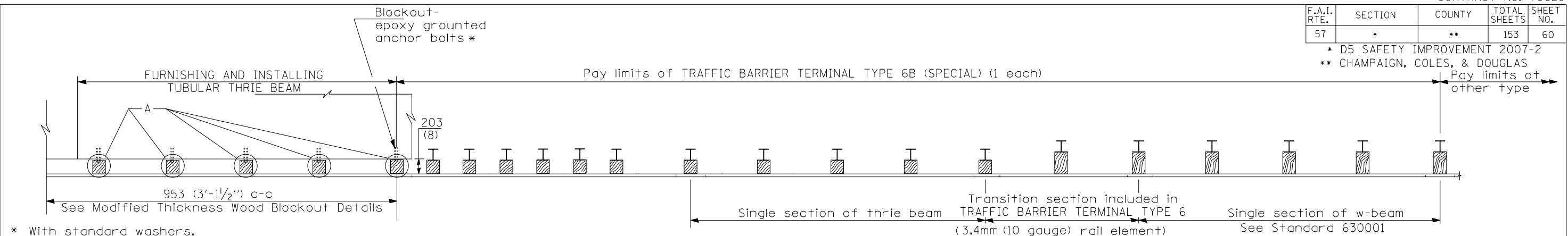


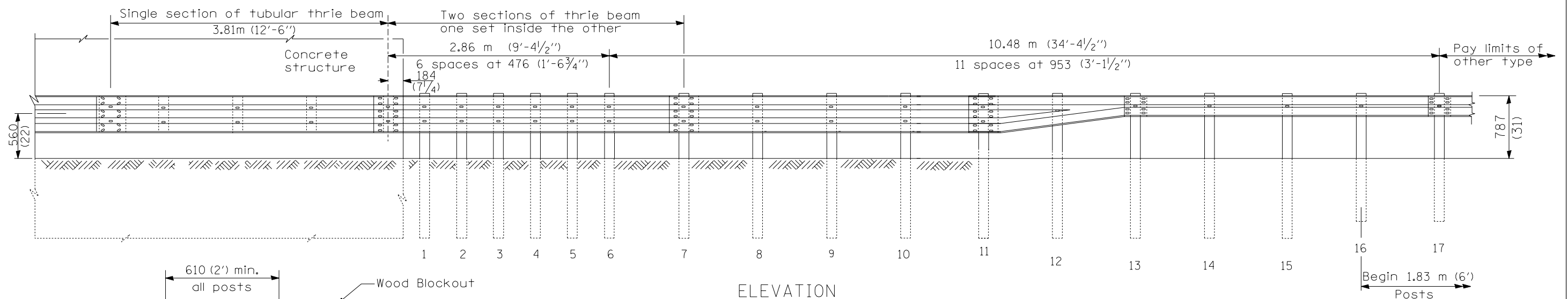
F.A.I. RTE.	SECTION	COUNTY	TOTAL SHEETS	SHEET NO.
57	*	**	153	60

\* D5 SAFETY IMPROVEMENT 2007-2  
 \*\* CHAMPAIGN, COLES, & DOUGLAS

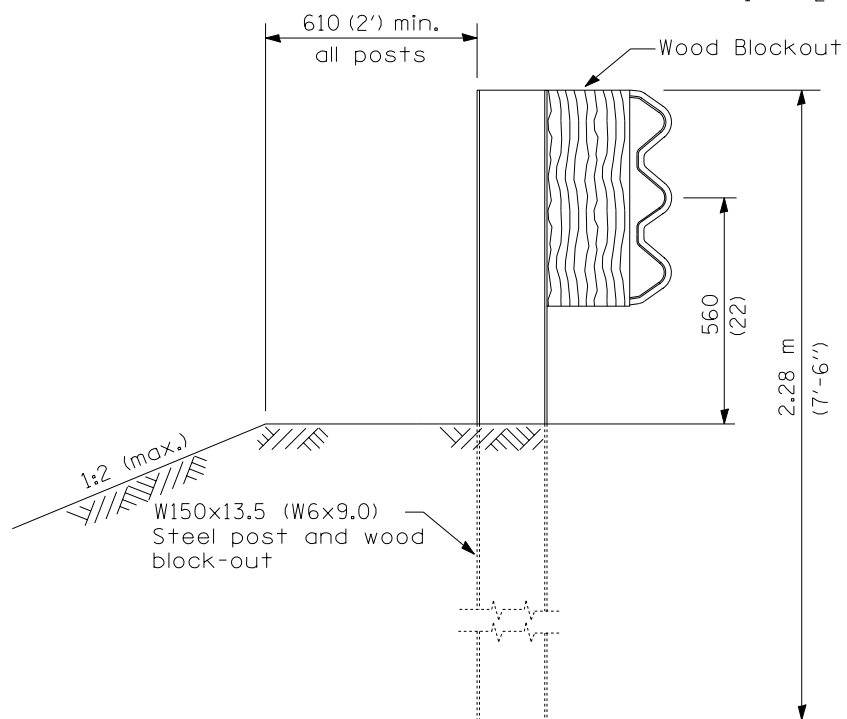


\* With standard washers. After tightening, cut the anchor bolts flush with nuts, and damage the nut to prevent it from loosening.

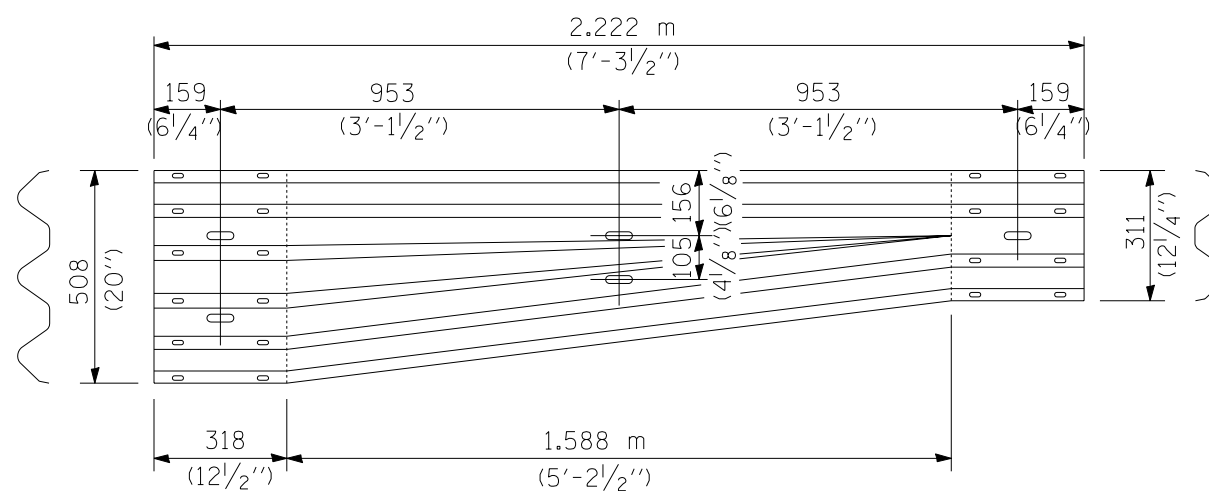
PLAN



ELEVATION



SECTION A-A



TRANSITION SECTION

GENERAL NOTES

- See Standard 630001 for details of guardrail not shown.
- Thrie beam rail shall be bolted to block-out at all posts.
- All slope ratios are expressed as units of vertical displacement to units of horizontal displacement (V:H).
- All dimensions are in millimeters (inches) unless otherwise shown.
- Refer to Standard 631033 for details and dimensions not shown.

TRAFFIC BARRIER  
 TERMINAL, TYPE 6B  
 (SPECIAL)