

PLOT DATE : 3/30/2007
 FILE NAME : I:\015\0063\015-0063.dwg
 PLOT SCALE : 10.5682" = 1"
 USER NAME : pier-arob

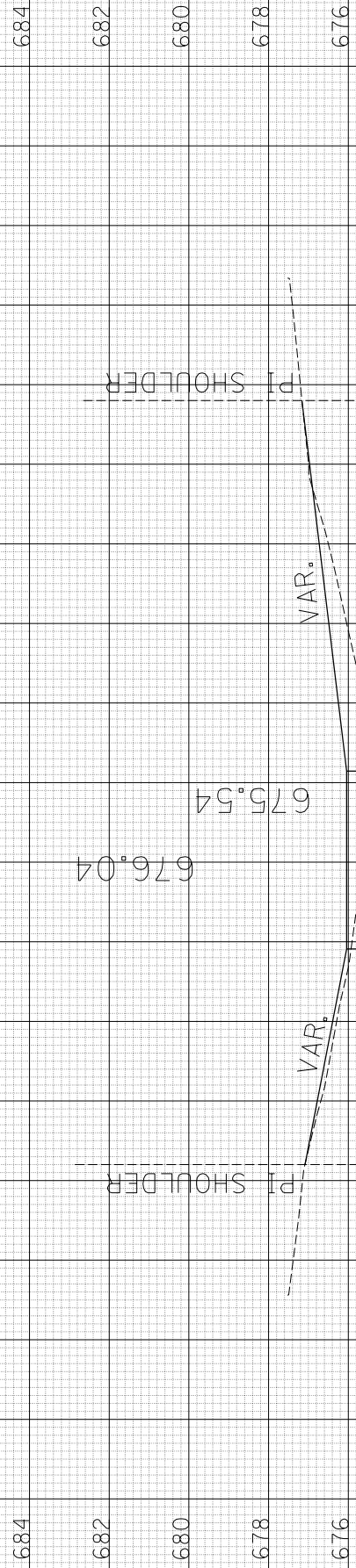
ORIGINAL SURVEY PLOTTED AREAS CHECKED
 NO. _____

FINAL SURVEY PLOTTED AREAS CHECKED
 NO. _____

BY _____ DATE _____

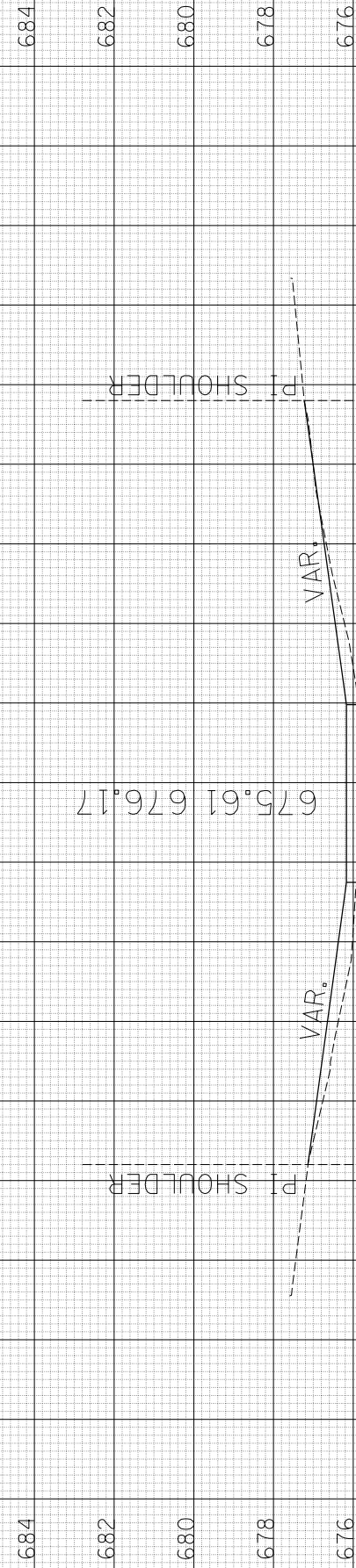
S.N. 015-0063

Sheet 4 of 6



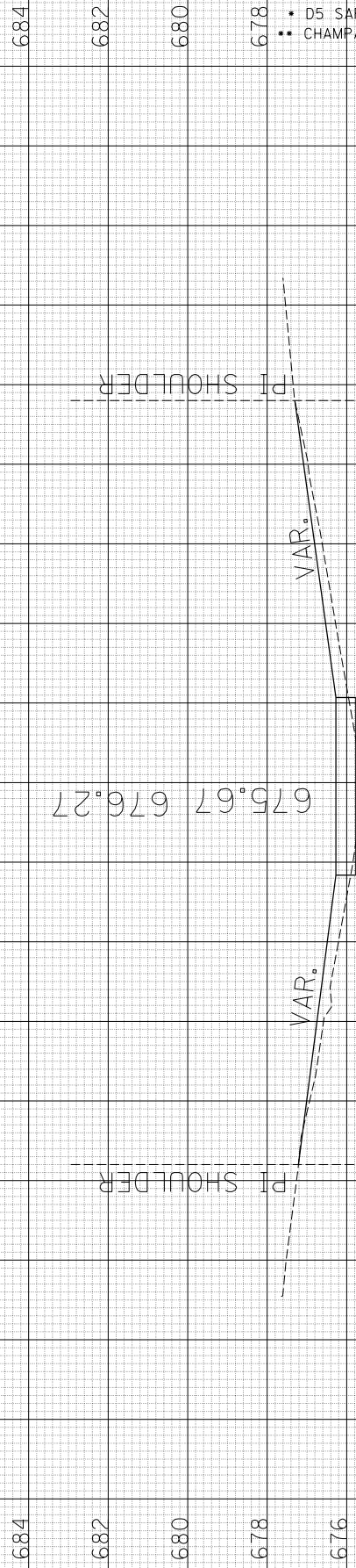
C = 1.31
F = 1.20

C = 0.10
F = 7.59



C = 0.39
F = 4.37

C = 0.25
F = 2.33



C = 0.12
F = 3.71

C = 0.24
F = 3.51

F.A.I. RTE.	SECTION	COUNTY	TOTAL SHEETS	SHEET NO.
57	•	••	153	81

STA. 1386+84.68 TO STA. 1387+25.21
 FED. ROAD DIST. NO. ILLINOIS FED. AID PROJECT
 • D5 SAFETY IMPROVEMENT 2007-2
 • CHAMPAIGN, COLES, & DOUGLAS

CONTRACT NO. 70628