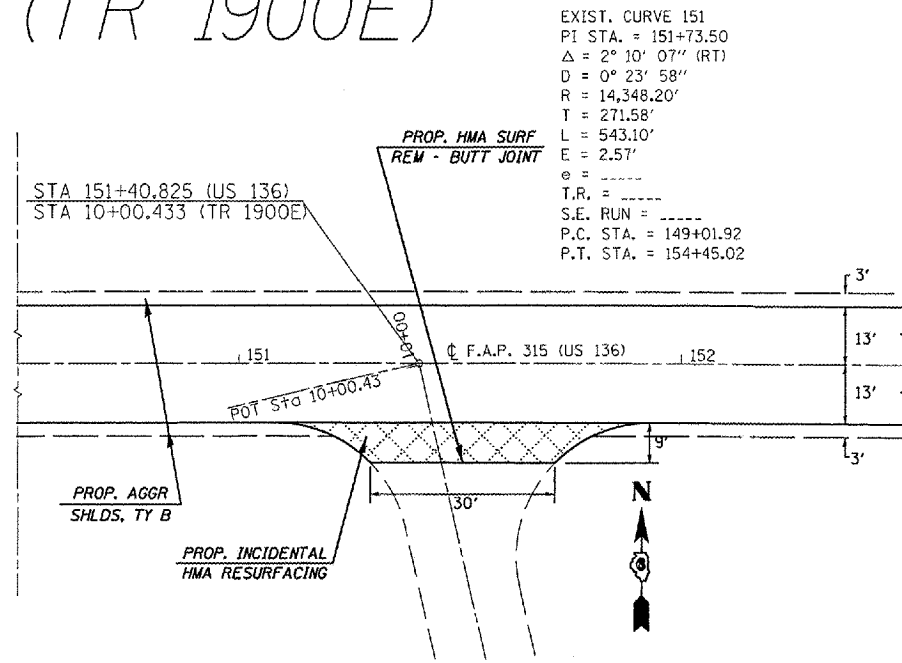


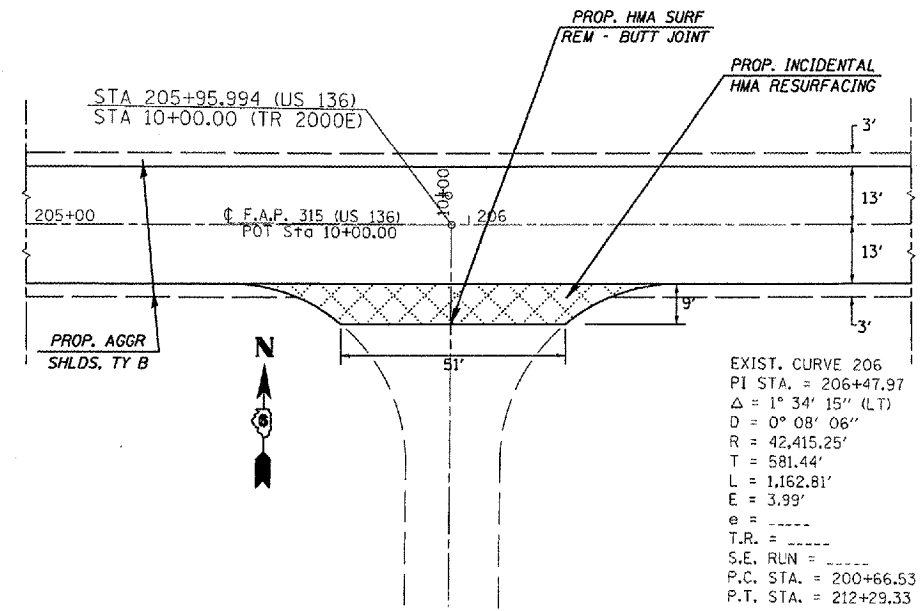
CONTRACT NO. 72798

F.A.P. RTE.	SECTION	COUNTY	TOTAL SHEETS	SHEET NO.
315	(1,2)RS-4	MASON	44	29
STA. 150+00.00		TO STA. 260+00.00		
FED. ROAD DIST. NO.		ILLINOIS FED. AID PROJECT		

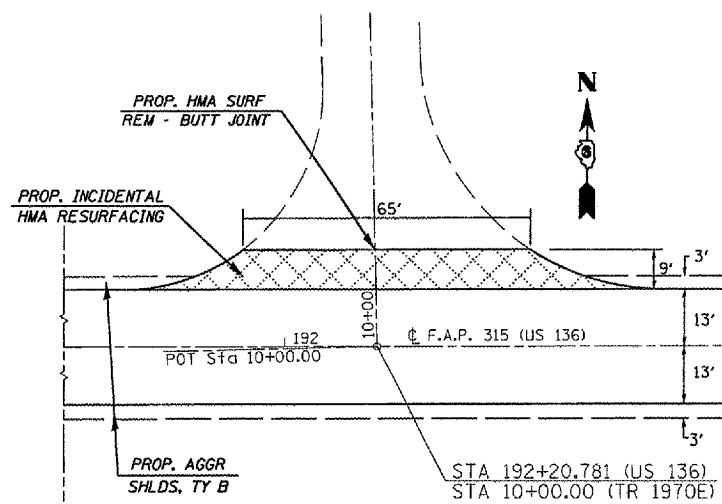
(TR 1900E)



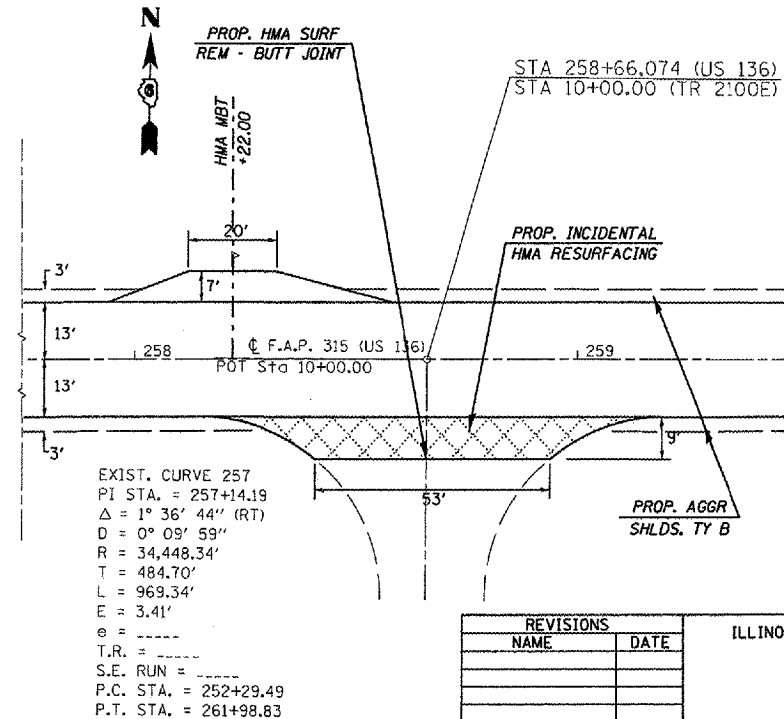
(TR 2000E)



(TR 1970E)



(TR 2100E)



REVISIONS	
NAME	DATE

ILLINOIS DEPARTMENT OF TRANSPORTATION

**PLAN VIEW**

F.A.P. Route 315 (US 136)  
 Section (1,2)RS-4  
 MASON COUNTY

SCALE: VERT. HORIZ.  
 DATE: MARCH 1, 2007

DRAWN BY: JWC  
 CHECKED BY: RSC

PLOT DATE = 3/22/2007  
 PLOT SCALE = 1/8" = 1' IN.  
 USER NAME = csh