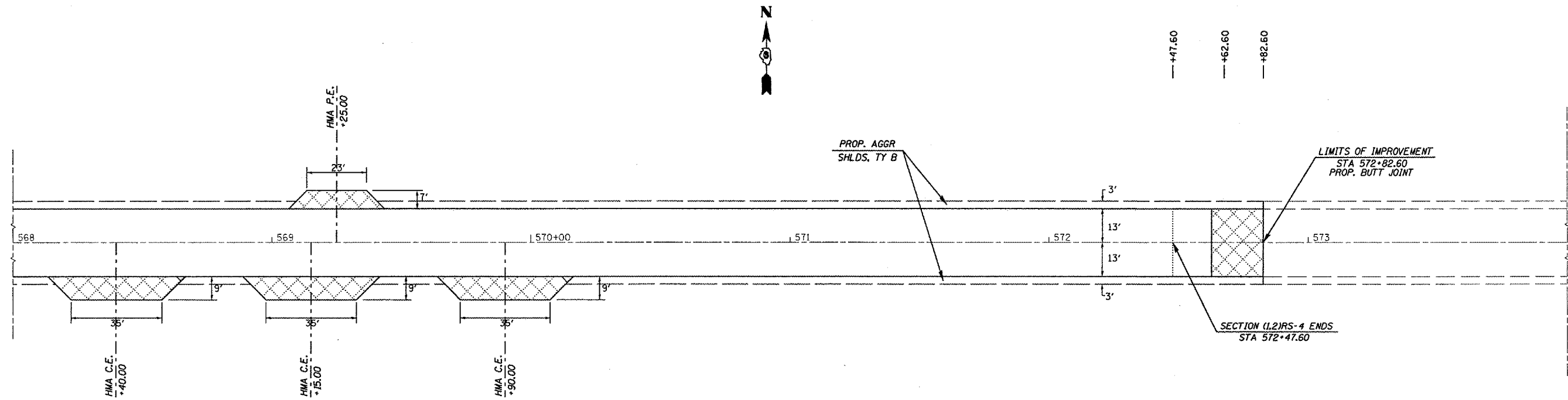
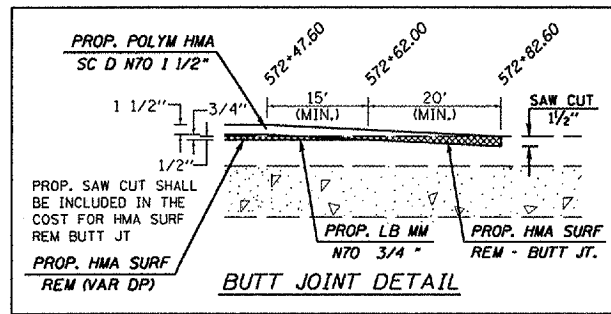


CONTRACT NO. 72798

F.A.P. RTE.	SECTION	COUNTY	TOTAL SHEETS	SHEET NO.
315	(1,2)RS-4	MASON	44	32
STA. 568+00.00		TO STA. 573+00.00		
FED. ROAD DIST. NO.	ILLINOIS	FED. AID PROJECT		



PLOT DATE = 3/22/2007
PLOT SCALE = 43.3725' / IN.
USER NAME = casjm

REVISIONS	
NAME	DATE

ILLINOIS DEPARTMENT OF TRANSPORTATION

PLAN VIEW

F.A.P. Route 315 (US 136)
Section (1,2)RS-4
MASON COUNTY

SCALE: VERT. DRAWN BY: JWC
 HORIZ. CHECKED BY: RSC
DATE: MARCH 1, 2007