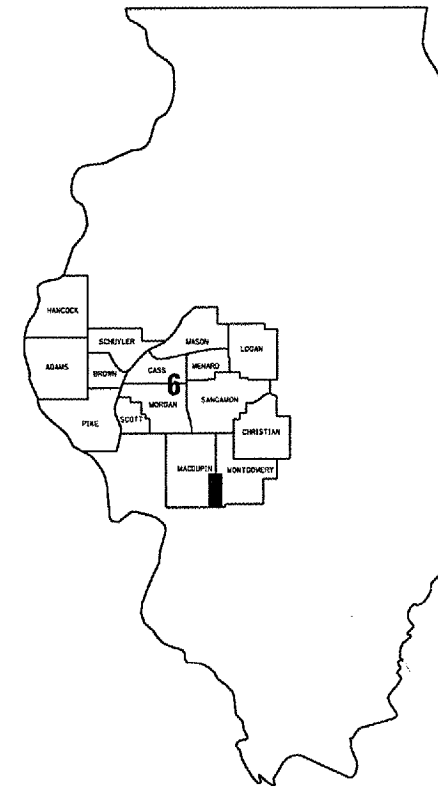


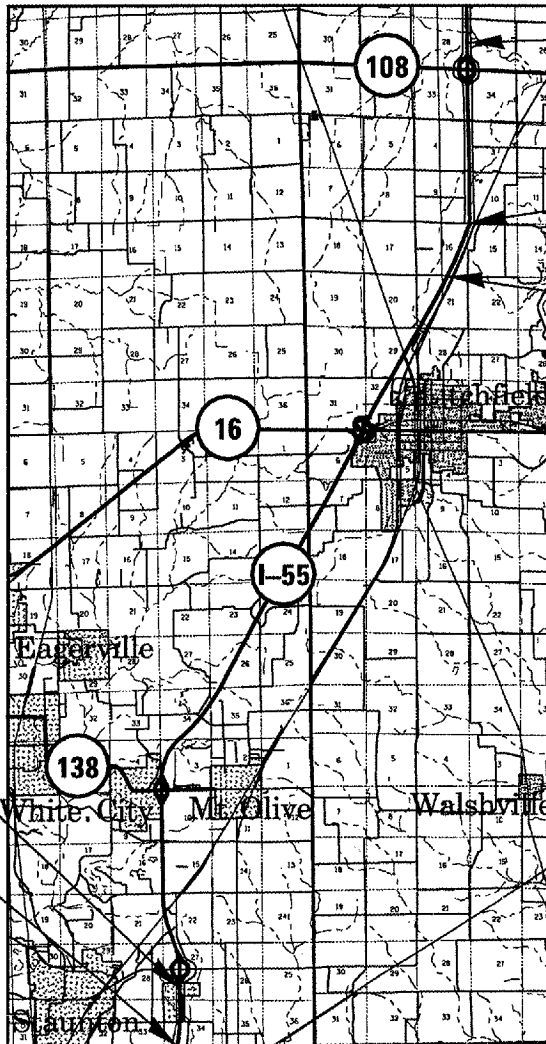
FOR INDEX OF SHEETS AND HIGHWAY
STANDARDS, SEE SHEET 2.

STATE OF ILLINOIS
DEPARTMENT OF TRANSPORTATION
DIVISION OF HIGHWAYS

**PLANS FOR PROPOSED
CONTRACT MAINTENANCE
FAI ROUTE 55 (I-55)
SECTION 59-1,2(I-2); 68-1,2(I-2)
MACOUPIN & MONTGOMERY COUNTYS
C96-023-07 / D96-020-07**



LOCATION OF SECTION INDICATED THUS: ■



END PROJECT
STA 1619+25

STA EQ 1801+09.17 BK
= 1801+09.34 AH

STA EQ 1869+18.68 BK
= 2+22.57 AH

STA EQ 809+87.27 BK
= 161+08.45 AH

BEGIN PROJECT
STA 245+50.48
MADISON CO. LINE

J. U. L. I. E.
JOINT UTILITY LOCATION INFORMATION FOR EXCAVATION
1-800-892-0123

PLANS & CONTRACT TECHNICIAN: TIMOTHY SHARP
PHONE: (217) 782-7743

STATE OF ILLINOIS
DEPARTMENT OF TRANSPORTATION
DIVISION OF HIGHWAYS

SUBMITTED MARCH 29, 2007

Christ M. Reed
DEPUTY DIRECTOR OF HIGHWAYS, REGION FOUR ENGINEER

May 11, 2007
Eric E. Harn
Interim ENGINEER OF DESIGN AND ENVIRONMENT

May 11, 2007
Milton R. Sees, P.E.
DIRECTOR, DIVISION OF HIGHWAYS

NET LENGTH OF SEC 114,201 FT = 21.63 MILE

CONTRACT NO. 72B21

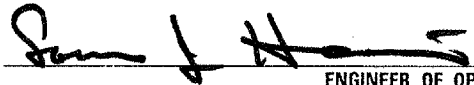


INDEX OF SHEETS

- 1 COVER SHEET
- 2 INDEX, STANDARDS, & GENERAL NOTES
- 3 SUMMARY OF QUANTITIES
- 4-5 TYPICAL SECTIONS
- 6 PATCHING SCHEDULE

STANDARDS

- 442001-03
- 701101-01
- 701106-01
- 701400-02
- 701406-04
- 701411-03
- 702001-06

GENERAL NOTES:

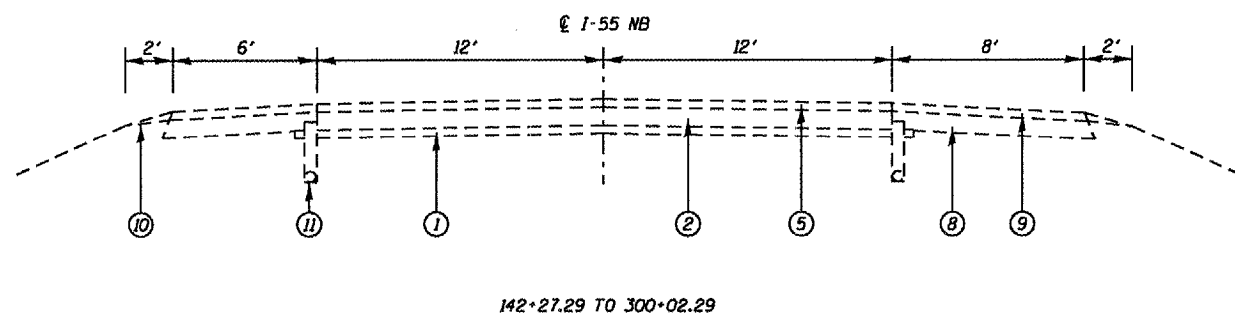
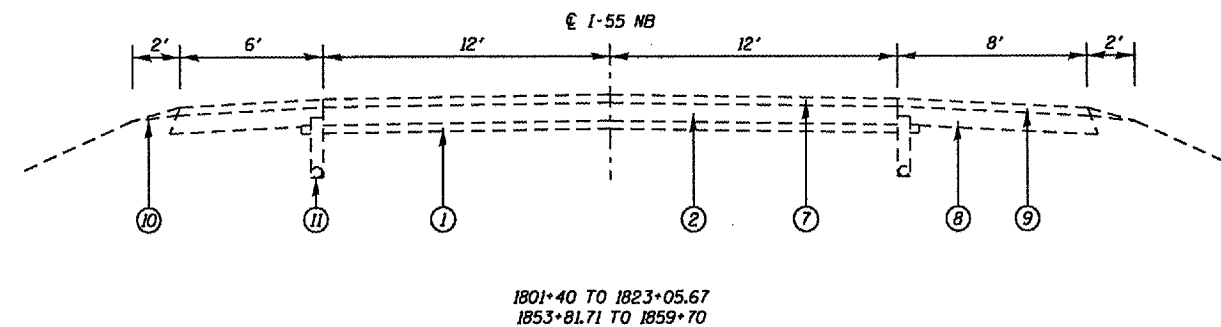
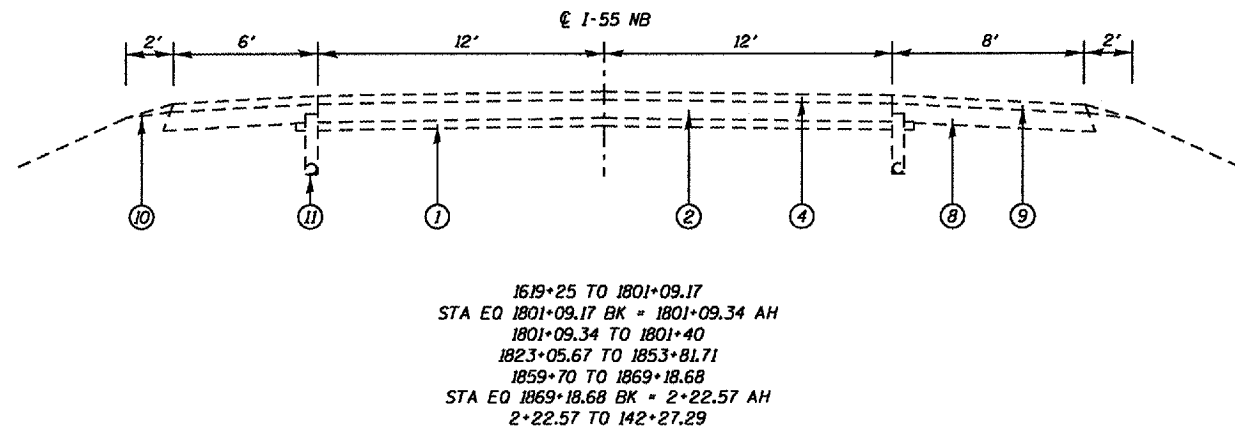
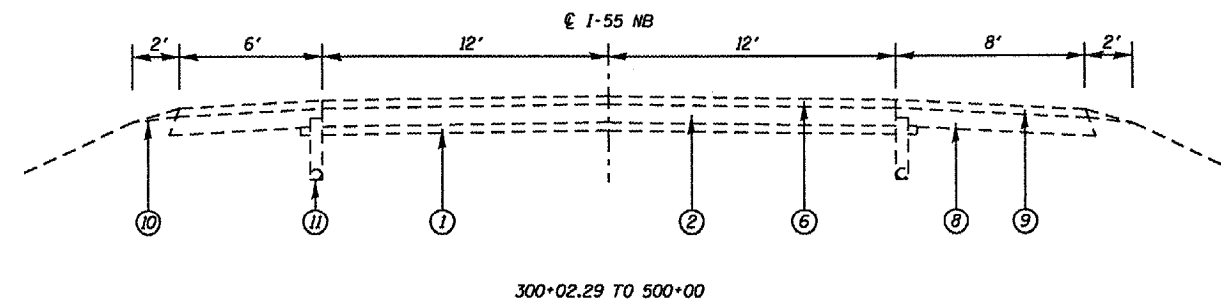
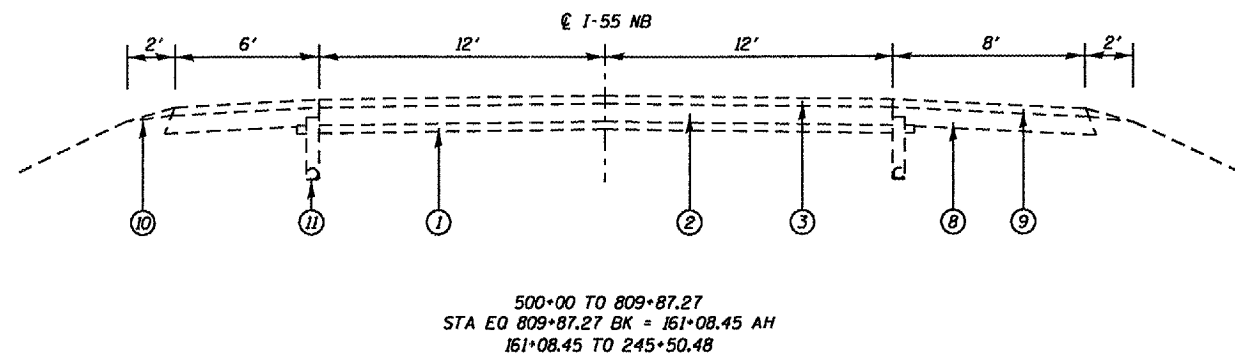
STATE OF ILLINOIS DEPARTMENT OF TRANSPORTATION DIVISION OF HIGHWAYS DISTRICT 6	
EXAMINED	March 26 20 07
	 ENGINEER OF OPERATIONS
EXAMINED	Mar 26 20 07
	 ENGINEER OF PROGRAM IMPLEMENTATION
EXAMINED	Mar 28 20 07
	 ENGINEER OF PROGRAM DEVELOPMENT

INDEX, STDS, & GEN. NOTES
FAI 55 (I-55)
SECTION 59-1,2(I-2); 68-1,2(I-2)
MACOUPIN & MONTGOMERY CO.

S U M M A R Y O F Q U A N T I T I E S

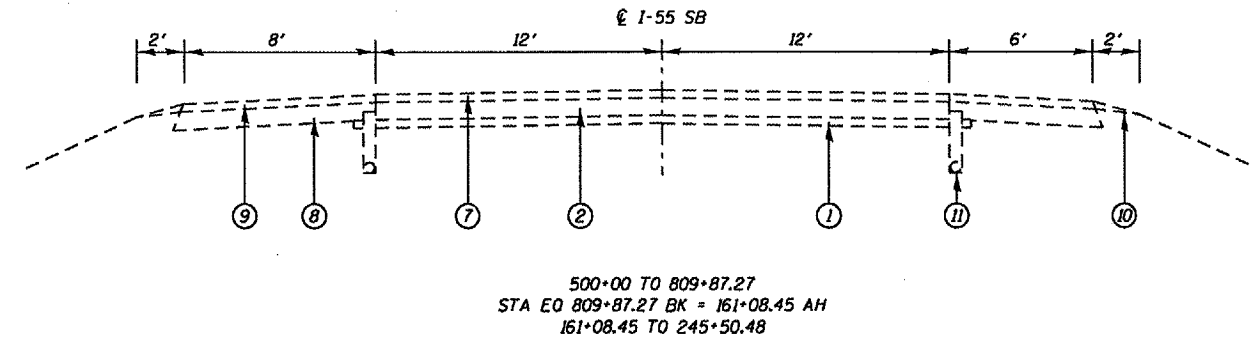
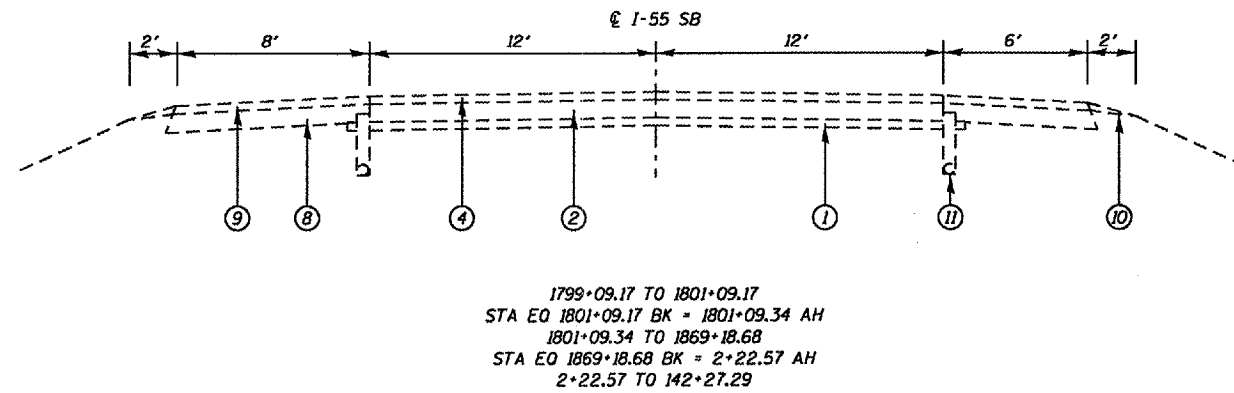
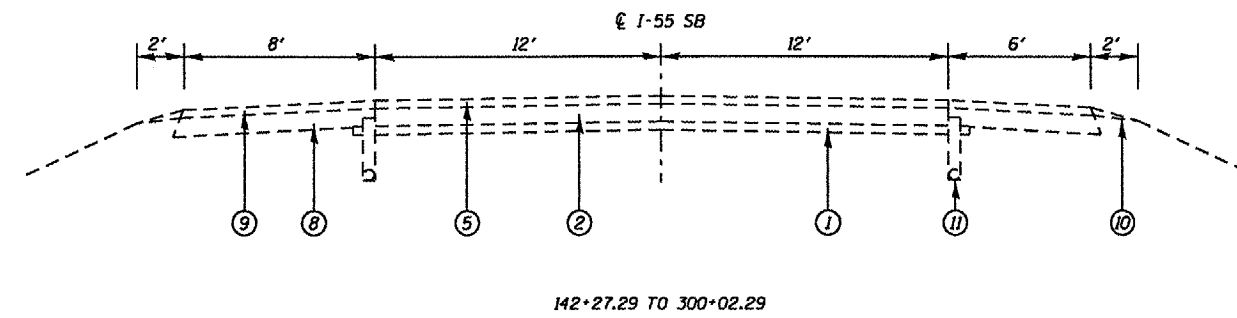
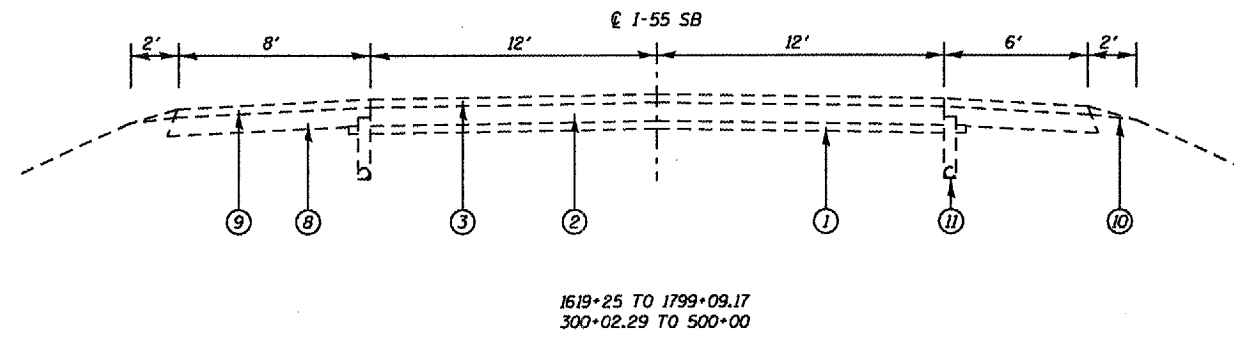
CODE NO.	ITEM	UNIT	100% STATE		
			J000		
			MACOUPIN	MONTGOMERY	TOTAL QTY
44200577	CLASS A PATCHES, TYPE II, 12 INCH	SQ YD	123	32	155
44200581	CLASS A PATCHES, TYPE III, 12 INCH	SQ YD	48	0	48
44200583	CLASS A PATCHES, TYPE IV, 12 INCH	SQ YD	31	0	31
44200620	CLASS A PATCHES, TYPE II, 14 INCH	SQ YD	159	0	159
44200624	CLASS A PATCHES, TYPE III, 14 INCH	SQ YD	16	0	16
44213000	PATCHING REINFORCEMENT	SQ YD	377	43	420
44213200	SAW CUTS	FOOT	2803	256	3059
67100100	MOBILIZATION	L SUM	0.9	0.1	1
70100700	TRAFFIC CONTROL AND PROTECTION, STANDARD 701406	L SUM	0.9	0.1	1
70103815	TRAFFIC CONTROL SURVEILLANCE	CAL DAY	9	1	10
X4420046	CLASS A PATCHES, TYPE II, 13 INCH	SQ YD	0	11	11
X7011420	TRAFFIC CONTROL AND PROTECTION, STANDARD 701411	L SUM	0.9	0.1	1
Z0075300	TIE BARS	EACH	12	0	12

QUANTITIES
FAI 55 (I-55)
SECTION 59-1.2(I-2); 68-1.2(I-2)
MACOUPIN & MONTGOMERY CO.



- ① EXISTING STABILIZED SUB-BASE (4")
- ② EXISTING CONTINUOUSLY REINFORCED CONCRETE PAVEMENT (9")
- ③ EXISTING HOT-MIX ASPHALT OVERLAYS (+/- 3-1/4")
- ④ EXISTING HOT-MIX ASPHALT OVERLAYS (+/- 3-1/2")
- ⑤ EXISTING HOT-MIX ASPHALT OVERLAYS (+/- 3-3/4")
- ⑥ EXISTING HOT-MIX ASPHALT OVERLAYS (+/- 4")
- ⑦ EXISTING HOT-MIX ASPHALT OVERLAYS (+/- 5")
- ⑧ EXISTING STABILIZED SHOULDER (8")
- ⑨ EXISTING HOT-MIX ASPHALT SHOULDER (VARIABLE DEPTH)
- ⑩ EXISTING AGGREGATE SHOULDER
- ⑪ EXISTING PIPE UNDERDRAINS

TYPICAL SECTIONS, NB
FAI 55 (I-55)
SECTION 59-1,2(I-2); 68-1,2(I-2)
MACOUPIN & MONTGOMERY CO.



- ① EXISTING STABILIZED SUB-BASE (4")
- ② EXISTING CONTINUOUSLY REINFORCED CONCRETE PAVEMENT (9")
- ③ EXISTING HOT-MIX ASPHALT OVERLAY(S) (+/- 3-1/4")
- ④ EXISTING HOT-MIX ASPHALT OVERLAY(S) (+/- 3-1/2")
- ⑤ EXISTING HOT-MIX ASPHALT OVERLAY(S) (+/- 3-3/4")
- ⑥ EXISTING HOT-MIX ASPHALT OVERLAY(S) (+/- 4")
- ⑦ EXISTING HOT-MIX ASPHALT OVERLAY(S) (+/- 5")
- ⑧ EXISTING STABILIZED SHOULDER (8")
- ⑨ EXISTING HOT-MIX ASPHALT SHOULDER (VARIABLE DEPTH)
- ⑩ EXISTING AGGREGATE SHOULDER
- ⑪ EXISTING PIPE UNDERDRAINS

TYPICAL SECTIONS, SB
FAI 55 (I-55)
SECTION 59-1,2(I-2); 68-1,2(I-2)
MACOUPIN & MONTGOMERY CO.

PATCHING SCHEDULE

LANE	APPROX. STA	METRIC STA *	REFERENCE LOCATION	LENGTH (FT)	WIDTH (FT)	PATCHING REINFORCEMENT (SQ YD)	SAW CUTS (FT)	CL A PATCHES, TY II, 12" (SQ YD)	CL A PATCHES, TY II, 13" (SQ YD)	CL A PATCHES, TY II, 14" (SQ YD)	CL A PATCHES, TY III, 12" (SQ YD)	CL A PATCHES, TY III, 14" (SQ YD)	CL A PATCHES, TY IV, 12" (SQ YD)
NBDL	201+50		BETWEEN MADISON / MACOUPIN CO. LINE & SN 059-0038	8	12	10.67	64	10.67					
NBDL	197+97		BETWEEN MADISON / MACOUPIN CO. LINE & SN 059-0038	4.5	12	6.00	57	6.00					
NBDL	186+27		BETWEEN MADISON / MACOUPIN CO. LINE & SN 059-0038	4.5	12	6.00	57	6.00					
NBDL	186+14		BETWEEN MADISON / MACOUPIN CO. LINE & SN 059-0038	4.5	12	6.00	57	6.00					
NBDL	185+00		BETWEEN MADISON / MACOUPIN CO. LINE & SN 059-0038	4.5	12	6.00	57	6.00					
NBDL	184+16		BETWEEN MADISON / MACOUPIN CO. LINE & SN 059-0038	4.5	12	6.00	57	6.00					
NBDL	173+26		BETWEEN MADISON / MACOUPIN CO. LINE & SN 059-0038	4.5	12	6.00	57	6.00					
NBDL	745+08		BETWEEN MADISON / MACOUPIN CO. LINE & SN 059-0038	6	12	8.00	60	8.00					
NBDL	739+72 ***		BETWEEN MADISON / MACOUPIN CO. LINE & SN 059-0038	23	12	30.67	94						30.67
NBDL	644+13		BETWEEN MADISON / MACOUPIN CO. LINE & SN 059-0038	4.5	12	6.00	57	6.00					
NBDL	586+11		BETWEEN MADISON / MACOUPIN CO. LINE & SN 059-0038	6	12	8.00	60	8.00					
NBDL	578+66		BETWEEN MADISON / MACOUPIN CO. LINE & SN 059-0038	6	12	8.00	60	8.00					
NBDL	558+79		BETWEEN MADISON / MACOUPIN CO. LINE & SN 059-0038	6	12	8.00	60	8.00					
NBDL	552+12		BETWEEN MADISON / MACOUPIN CO. LINE & SN 059-0038	4.5	12	6.00	57	6.00					
NBDL	550+34		BETWEEN MADISON / MACOUPIN CO. LINE & SN 059-0038	6	12	8.00	60	8.00					
SBDL	1619+25		AROUND ROUTE 108 INTERCHANGE	8	12	10.67	64	10.67					
SBDL	1620+26		AROUND ROUTE 108 INTERCHANGE	8	12	10.67	64	10.67					
SBDL	1620+97		AROUND ROUTE 108 INTERCHANGE	8	12	10.67	64	10.67					
SBDL	1832+14		SOUTH OF SN 068-0044	8	12	10.67	64		10.67				
SBDL	402+39	77+523	BETWEEN MACOUPIN / MONTGOMERY CO. LINE & SN 059-0038	12	12	16.00	72				16.00		
SBDL	406+33	77+403	BETWEEN MACOUPIN / MONTGOMERY CO. LINE & SN 059-0038	4.5	12	6.00	57	6.00					
SBDL	406+36	77+402	BETWEEN MACOUPIN / MONTGOMERY CO. LINE & SN 059-0038	12	12	16.00	72				16.00		
SBDL	431+03	76+650	BETWEEN MACOUPIN / MONTGOMERY CO. LINE & SN 059-0038	12	12	16.00	72				16.00		
SBDL	633+75		AROUND WHITE CITY INTERCHANGE	4.5	12	6.00	57			6.00			
SBDL	806+62		AROUND STAUNTON INTERCHANGE	4.5	12	6.00	57			6.00			
SBDL	161+91		BETWEEN STAUNTON INTERCHANGE & MADISON / MACOUPIN CO. LINE	4.5	12	6.00	57			6.00			
SBDL	163+89		BETWEEN STAUNTON INTERCHANGE & MADISON / MACOUPIN CO. LINE	4.5	12	6.00	57			6.00			
SBDL	164+96		BETWEEN STAUNTON INTERCHANGE & MADISON / MACOUPIN CO. LINE	6	12	8.00	60			8.00			
SBDL	165+79		BETWEEN STAUNTON INTERCHANGE & MADISON / MACOUPIN CO. LINE	4.5	12	6.00	57			6.00			
SBDL	166+08		BETWEEN STAUNTON INTERCHANGE & MADISON / MACOUPIN CO. LINE	4.5	12	6.00	57			6.00			
SBDL	166+38		BETWEEN STAUNTON INTERCHANGE & MADISON / MACOUPIN CO. LINE	12	12	16.00	72				16.00		
SBDL	167+97		BETWEEN STAUNTON INTERCHANGE & MADISON / MACOUPIN CO. LINE	4.5	12	6.00	57			6.00			
SBDL	169+77		BETWEEN STAUNTON INTERCHANGE & MADISON / MACOUPIN CO. LINE	4.5	12	6.00	57			6.00			
SBDL	170+84		BETWEEN STAUNTON INTERCHANGE & MADISON / MACOUPIN CO. LINE	6	12	8.00	60			8.00			
SBDL	173+29		BETWEEN STAUNTON INTERCHANGE & MADISON / MACOUPIN CO. LINE	4.5	12	6.00	57			6.00			
SBDL	178+24		BETWEEN STAUNTON INTERCHANGE & MADISON / MACOUPIN CO. LINE	4.5	12	6.00	57			6.00			
SBDL	185+89		BETWEEN STAUNTON INTERCHANGE & MADISON / MACOUPIN CO. LINE	4.5	12	6.00	57			6.00			
SBDL	188+39		BETWEEN STAUNTON INTERCHANGE & MADISON / MACOUPIN CO. LINE	4.5	12	6.00	57			6.00			
SBDL	204+93		BETWEEN STAUNTON INTERCHANGE & MADISON / MACOUPIN CO. LINE	4.5	12	6.00	57			6.00			
SBDL	213+16		BETWEEN STAUNTON INTERCHANGE & MADISON / MACOUPIN CO. LINE	4.5	12	6.00	57			6.00			
SBDL	216+12		BETWEEN STAUNTON INTERCHANGE & MADISON / MACOUPIN CO. LINE	6	12	8.00	60			8.00			
SBDL	222+37		BETWEEN STAUNTON INTERCHANGE & MADISON / MACOUPIN CO. LINE	4.5	12	6.00	57			6.00			
SBDL	223+75		BETWEEN STAUNTON INTERCHANGE & MADISON / MACOUPIN CO. LINE	4.5	12	6.00	57			6.00			
SBDL	230+74		BETWEEN STAUNTON INTERCHANGE & MADISON / MACOUPIN CO. LINE	4.5	12	6.00	57			6.00			
SBDL	243+10		BETWEEN STAUNTON INTERCHANGE & MADISON / MACOUPIN CO. LINE	4.5	12	6.00	57			6.00			
SBDL	245+00		BETWEEN STAUNTON INTERCHANGE & MADISON / MACOUPIN CO. LINE	6	12	8.00	60			8.00			
TOTALS:						382.02	2781	136.68	10.67	140.00	48.00	16.00	30.67
ADDED QTYS: **						38.20	278.10	18.00		19.00			
GRAND TOTALS:						420	3059	155	11	159	48	16	31

* THE PAVEMENT FROM 300+02.29 TO 500+00 NORTH OF MT. OLIVE IS STAMPED WITH METRIC STATIONS. THE METRIC STATIONS OF PATCHES IN THIS SECTION ARE SHOWN TO AID IN LOCATING THE PATCHES. THE METRIC STATIONING RUNS OPPOSITE THE ENGLISH STATIONING AND THE SECTION LIMITS ARE AS FOLLOWS: STA 300+02.29 ENG = STA 80+643.250 MET, STA 500+00.00 ENG = STA 74+547.936 MET

** AN ADDITIONAL 10% OF THE TOTAL PATCHING QUANTITY WAS ADDED TO BE USED AT THE DISCRETION OF THE ENGINEER

*** THIS PATCH SHALL RECEIVE TIE BARS AS SPECIFIED IN SECTION 442.06 OF THE STANDARD SPECIFICATIONS

PATCHING SCHEDULE
FAI 55 (I-55)
SECTION 59-1,2(I-2); 68-1,2(I-2)
MACOUPIN & MONTGOMERY CO.