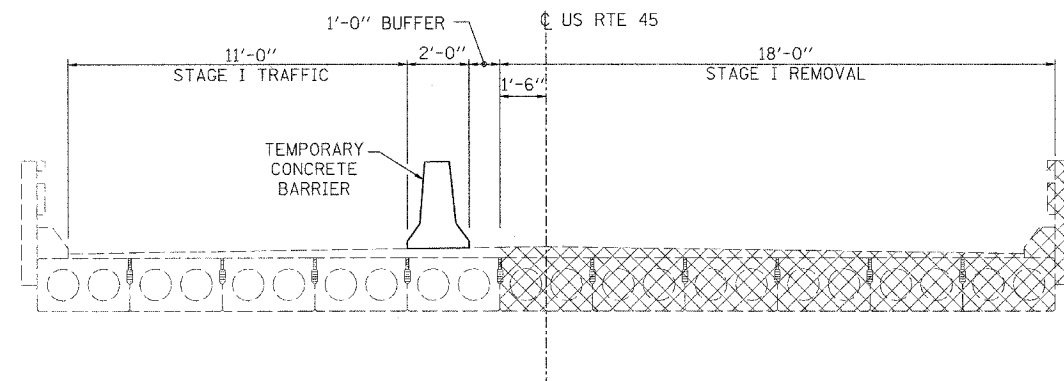


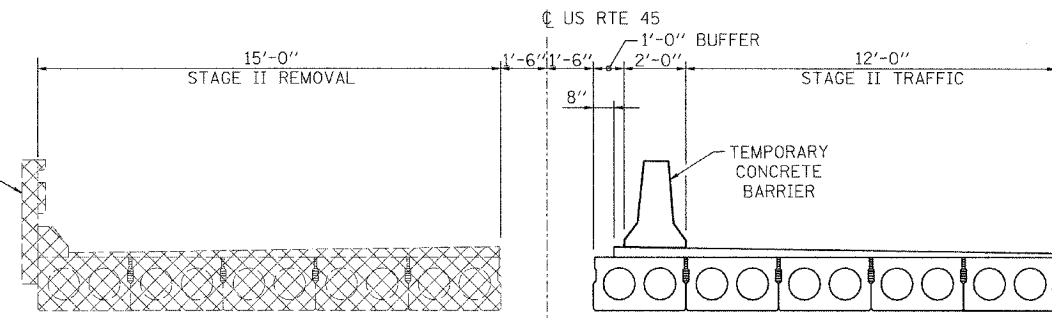
F.A.P. RTE.	SECTION	COUNTY	TOTAL SHEETS	SHEET NO.
*	**	***	68	15
STA. 716+01.34 TO STA. 723+24.84				
FED. ROAD DIST. NO. ILLINOIS FED. AID PROJECT				
* FAP 332 (IL 1); FAP 328 (US 45) ** 101B-1 (8BR-11B-1) *** WABASH / WAYNE				



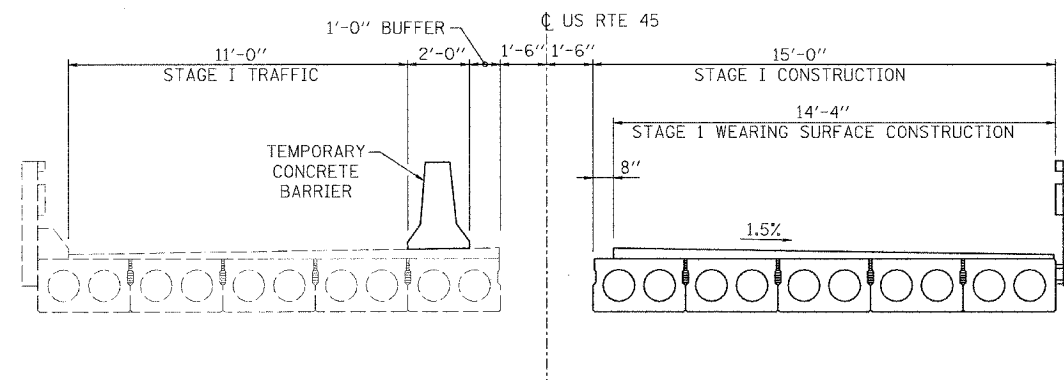
STAGE I REMOVAL

REMOVAL OF EXISTING STEEL BRIDGE RAIL IS INCLUDED WITH REMOVAL OF EXISTING SUPERSTRUCTURE

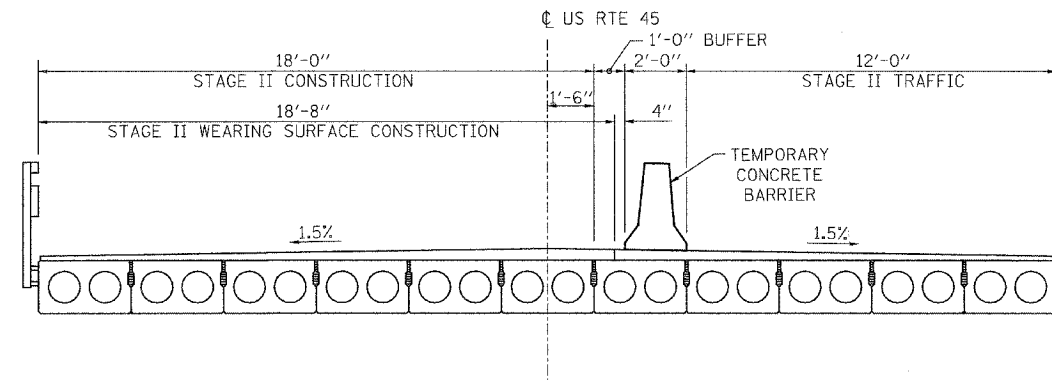
NOTE:
CROSS HATCHED AREAS INDICATE REMOVAL OF EXISTING SUPERSTRUCTURE.



STAGE II REMOVAL



STAGE I CONSTRUCTION



STAGE II CONSTRUCTION

PLOT DATE = 3/15/07
FILE NAME = STAGE1.XLS_022.DGN

REVISIONS	
NAME	DATE

ILLINOIS DEPARTMENT OF TRANSPORTATION

STAGING CROSS SECTIONS
US ROUTE 45
OVER ENDSLEY CREEK

SCALE: VERT. NONE
HORIZ. NONE
DATE 3/15/07

DRAWN BY TJQ
CHECKED BY RPJ