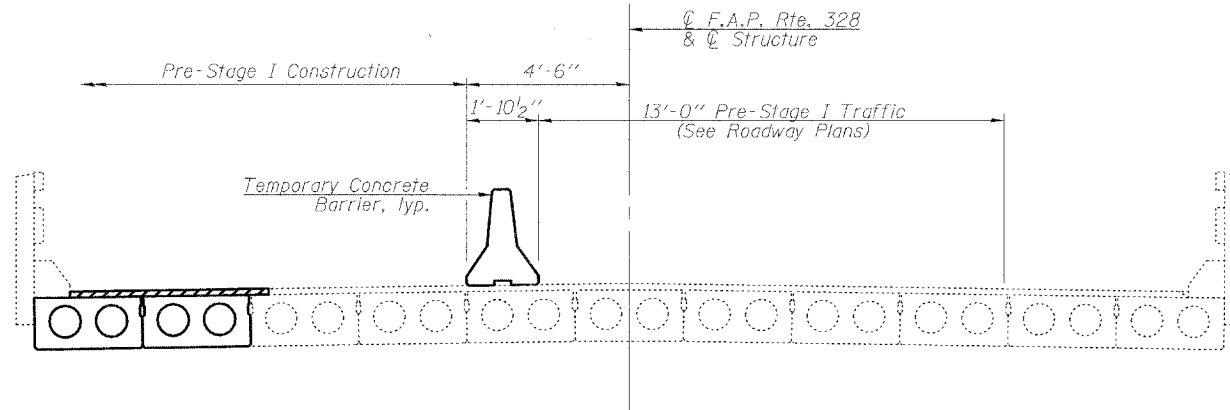


STATE OF ILLINOIS
DEPARTMENT OF TRANSPORTATION

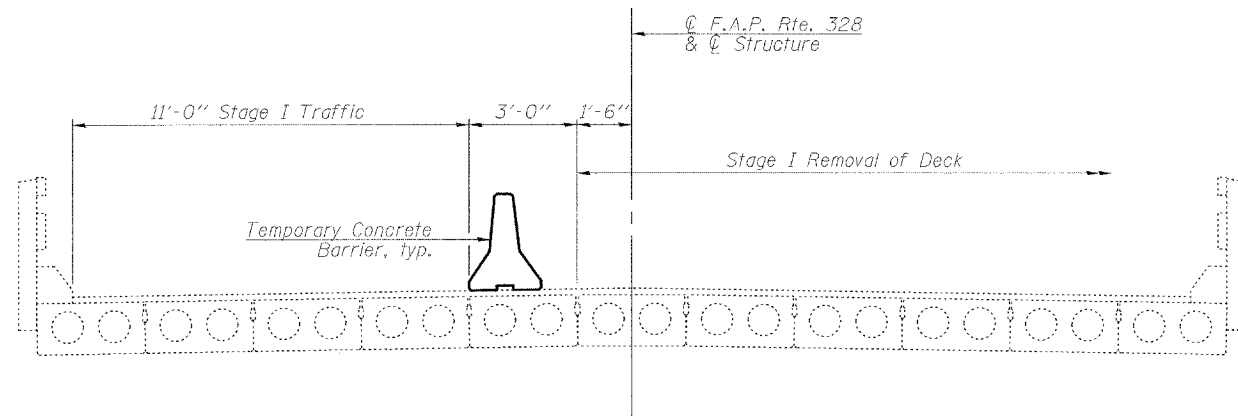
ROUTE NO.	SECTION	COUNTY	TOTAL SHEETS	SHEET NO.
F.A.P. 328	(8BR-1) B-1	WAYNE	68	20
FED. ROAD DIST. NO. 7		ILLINOIS	FED. AID PROJECT	

SHEET NO. 2
13 SHEETS

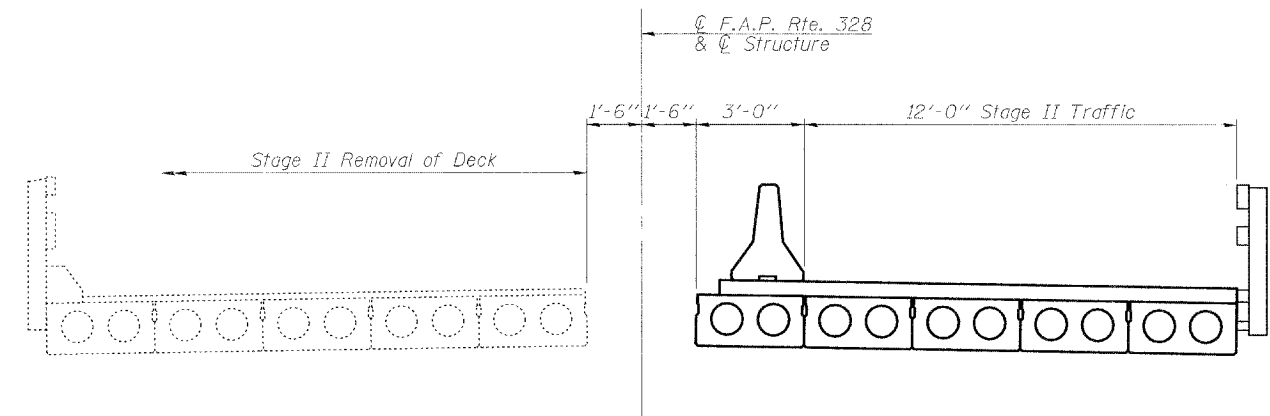
Contract #74003



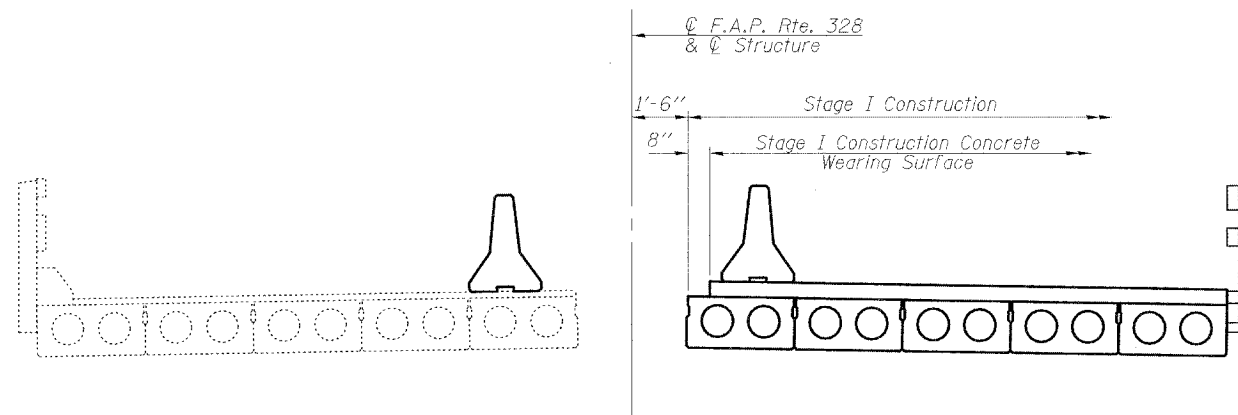
PRE-STAGE I CONSTRUCTION



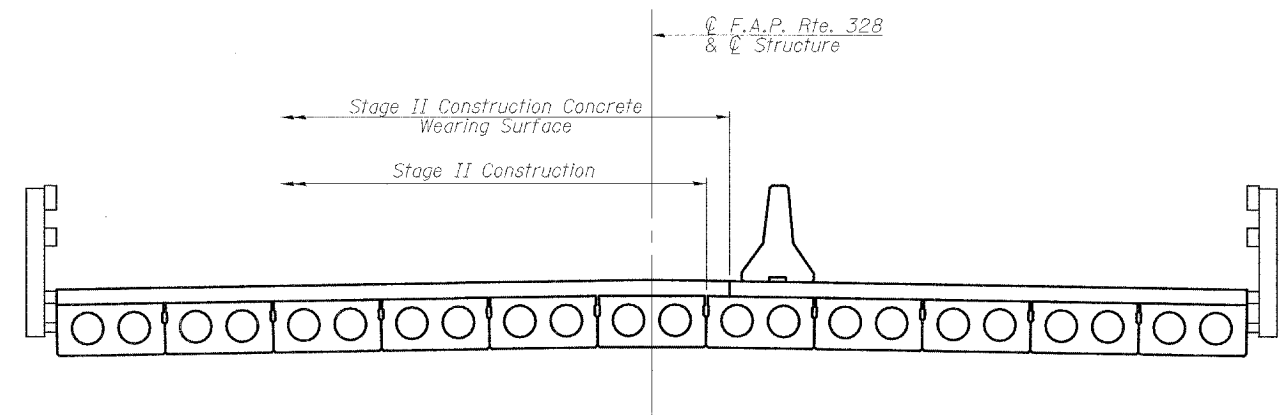
STAGE I REMOVAL



STAGE II REMOVAL



STAGE I CONSTRUCTION



STAGE II CONSTRUCTION

DESIGNED	JJD
CHECKED	EML
DRAWN	JJD
CHECKED	EML

Notes:
All sections are looking North.
For quantity of Temporary Concrete Barrier, see roadway plans.
For details of Temporary Concrete Barrier, see sheet 3 of 13.

**HORNER &
SHIFRIN, INC.**
ENGINEERS

STAGE CONSTRUCTION DETAILS
F.A.P. ROUTE 328 - SECTION (8BR-1)B-1
WAYNE COUNTY
STATION 719+63.09
STRUCTURE NO. 096-0020