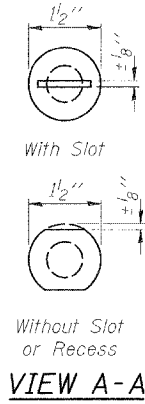
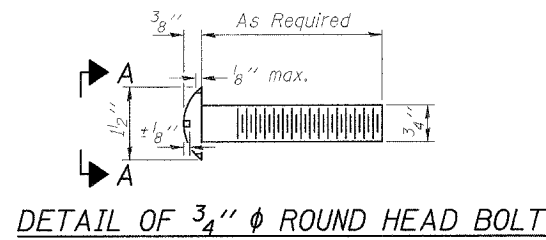


STATE OF ILLINOIS
DEPARTMENT OF TRANSPORTATION

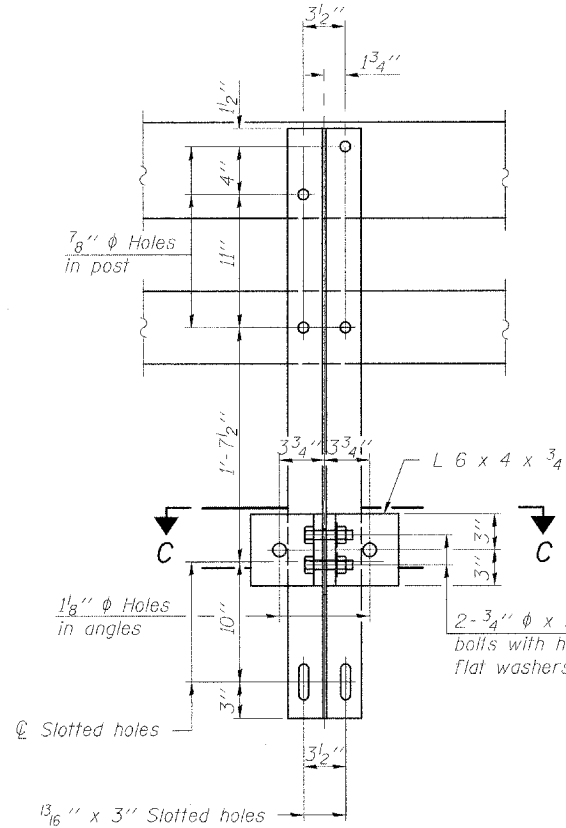
ROUTE NO.	SECTION	COUNTY	TOTAL SHEETS	SHEET NO.
F.A.P. 328	(8BR-1) B-1	WAYNE	68	22
FED. ROAD DIST. NO. 7		ILLINOIS	FED. AID PROJECT	

SHEET NO. 4
13 SHEETS

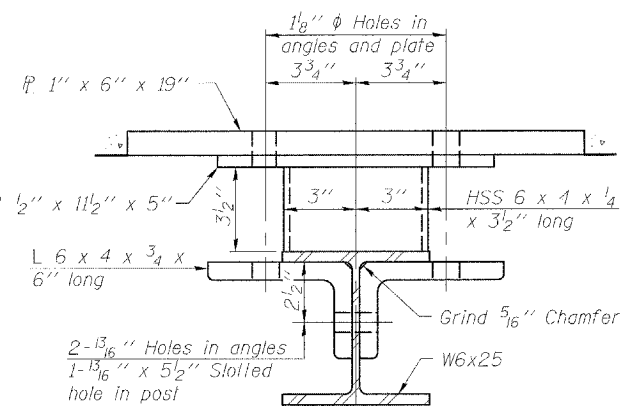
Contract #74003



4-3/4" ϕ x 6" Round Head Bolts
(With slot or approved recess in head) with locknut & flat washer.
7/8" ϕ holes in hollow structural section may be drilled in the field.



SECTION B-B



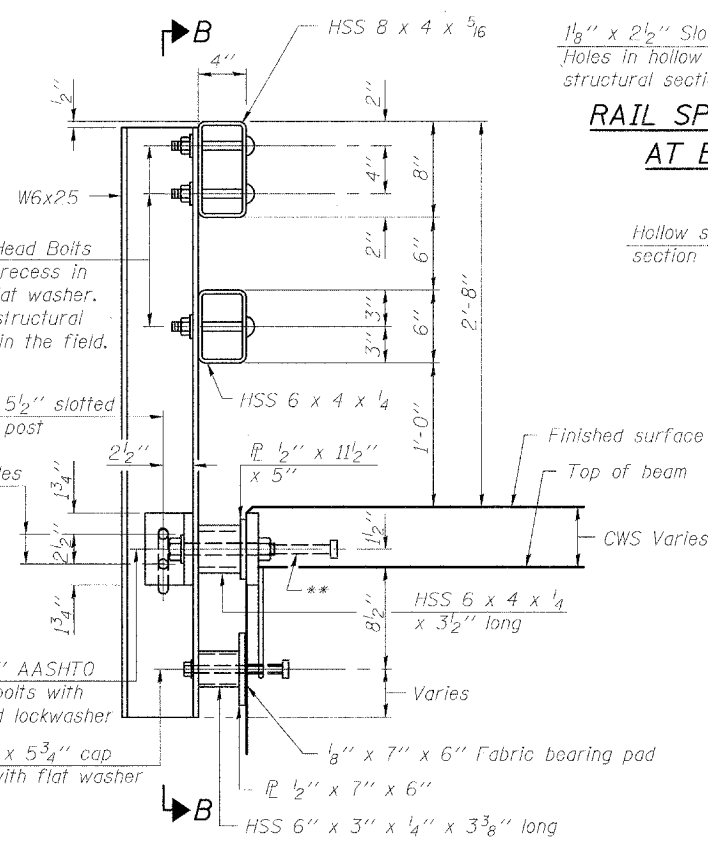
SECTION C-C

DESIGNED	JJD
CHECKED	EML
DRAWN	JJD
CHECKED	EML

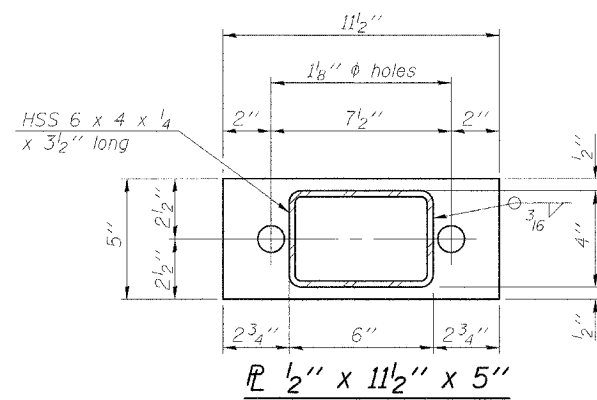
R-34CWS

11-1-06

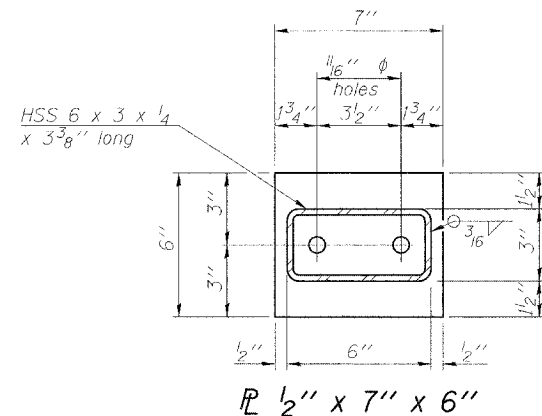
(6'-3" Maximum Post Spacing) (5" minimum to 7/8" maximum CWS thickness)



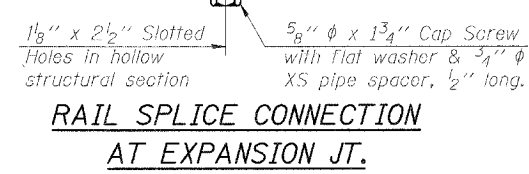
SECTION AT RAIL POST



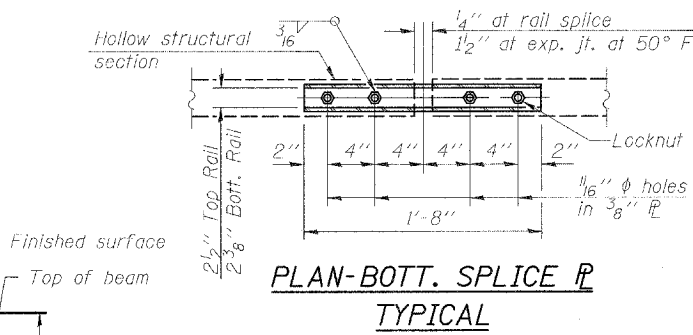
ANCHOR DEVICE



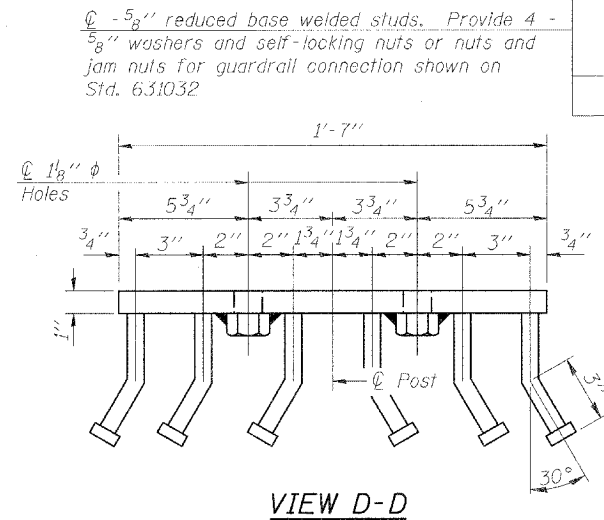
ANCHOR DEVICE



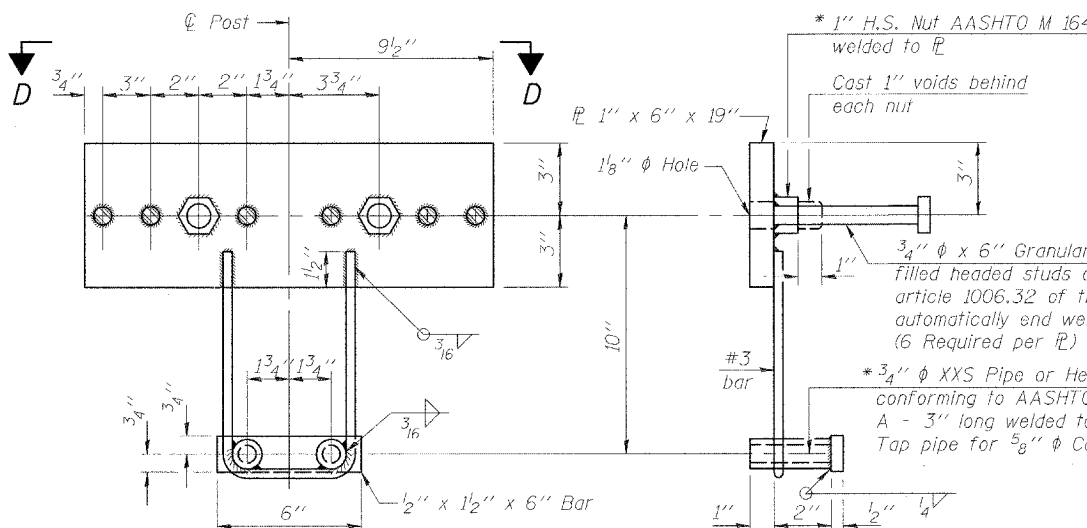
RAIL SPLICE CONNECTION
AT EXPANSION JT.



PLAN-BOTT. SPLICE P
TYPICAL

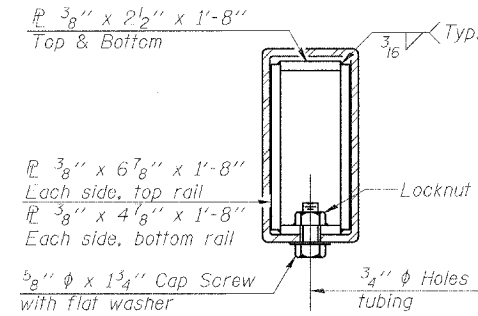


VIEW D-D

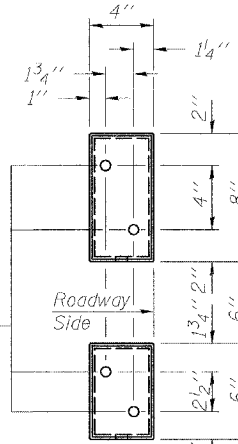


ANCHOR DEVICE

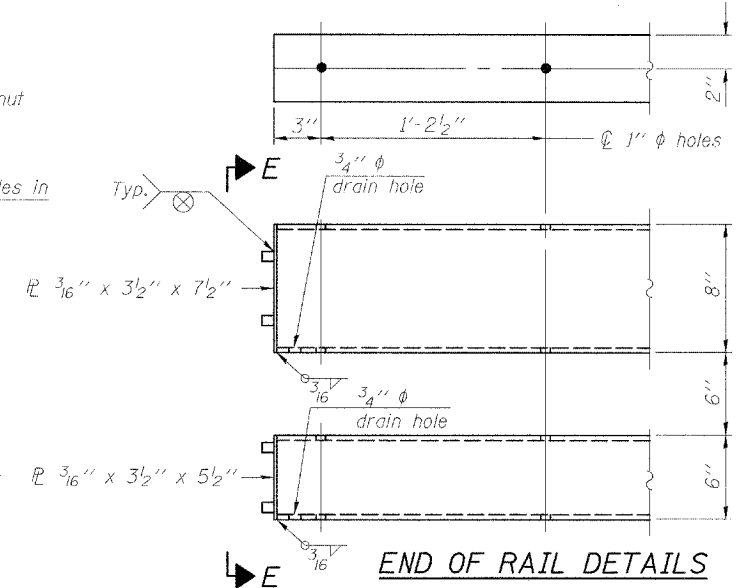
* Threaded areas shall be plugged or blocked off during casting of beam. Galvanized after fabrication.



SECTION AT
RAIL SPLICE



VIEW E-E



END OF RAIL DETAILS

Notes:
All field drilled holes shall be coated with an approved zinc rich paint before erection.
For multi-span bridges, sufficient 1/4" x 6" x 1'-2" galvanized steel shims shall be provided to align rail between adjacent spans. Cost included with Steel Railing, Type SM.
Steel rail elements shall be galvanized according to Article 509.05 of the Standard Specifications.
The studs of the anchor devices shall be placed below the top reinforcement bars and the outermost longitudinal reinforcement bar shall be placed directly above the studs of the rail post anchor device.
For rail post spacing see sheets 5 and 6 of 13.

BILL OF MATERIAL

Item	Unit	Quantity
Steel Railing Type SM	Foot	126

STEEL RAILING, TYPE SM
WITH CONCRETE WEARING SURFACE
F.A.P. ROUTE 328 - SECTION (8BR-1)B-1
WAYNE COUNTY
STATION 719+63.09
STRUCTURE NO. 096-0020

HORNER &
SHIFRIN, INC.
ENGINEERS