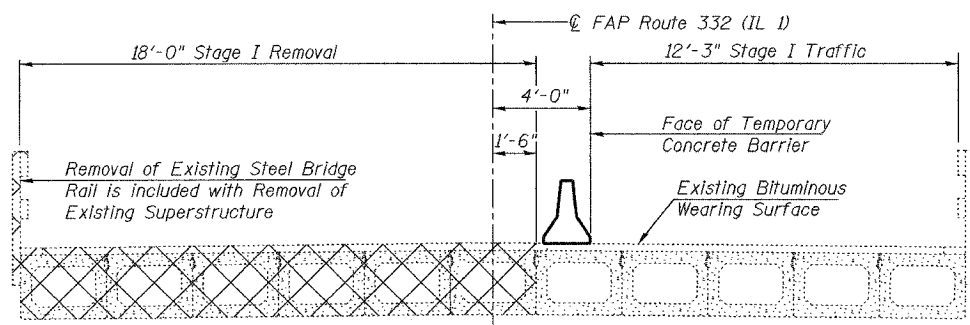
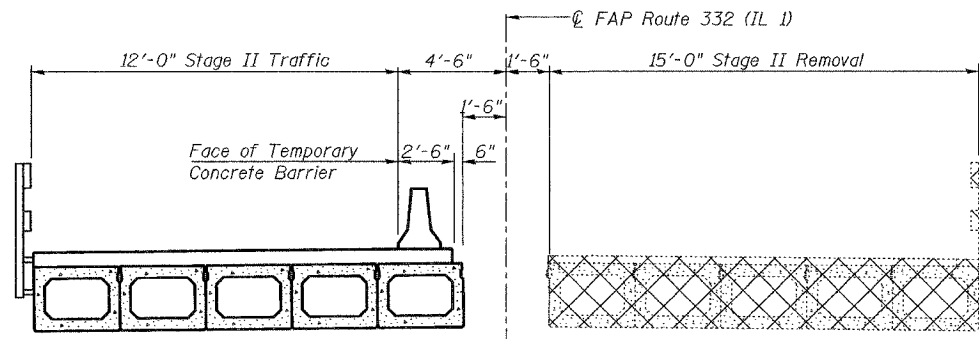


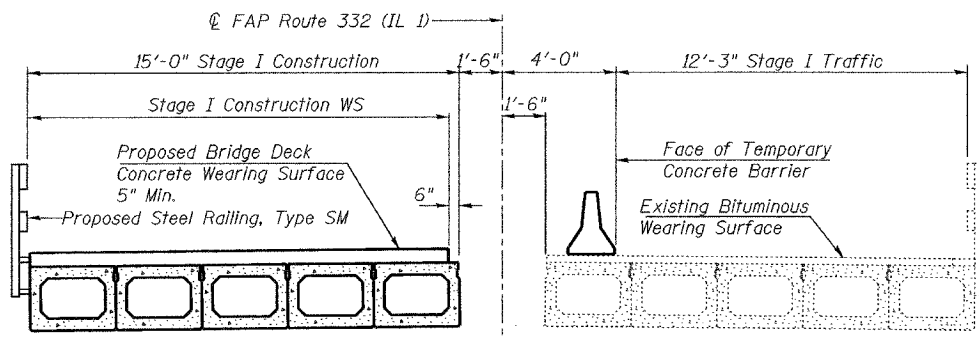
Contract # 74003



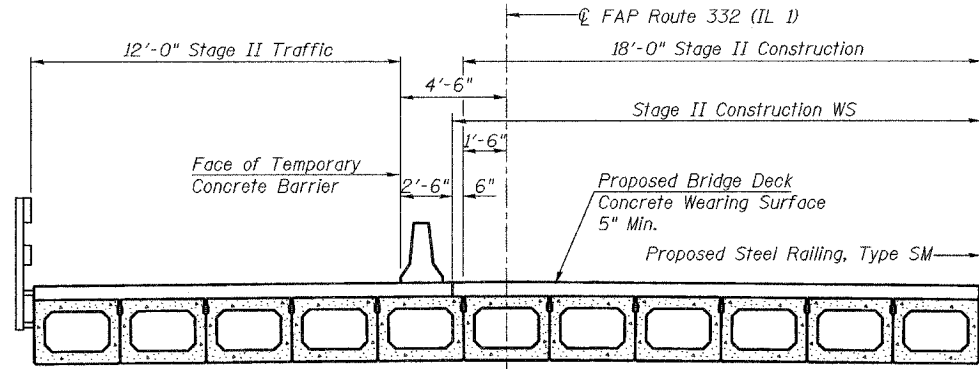
STAGE I REMOVAL
(Looking Northeast)



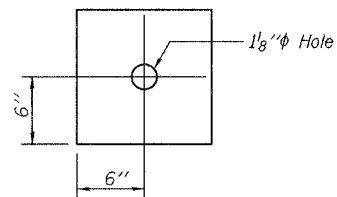
STAGE II REMOVAL
(Looking Northeast)



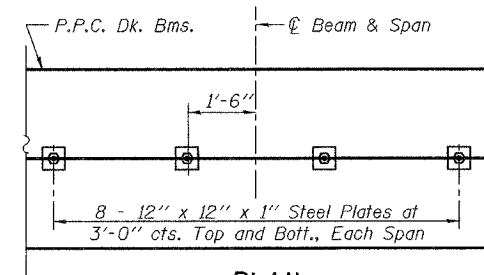
STAGE I CONSTRUCTION
(Looking Northeast)



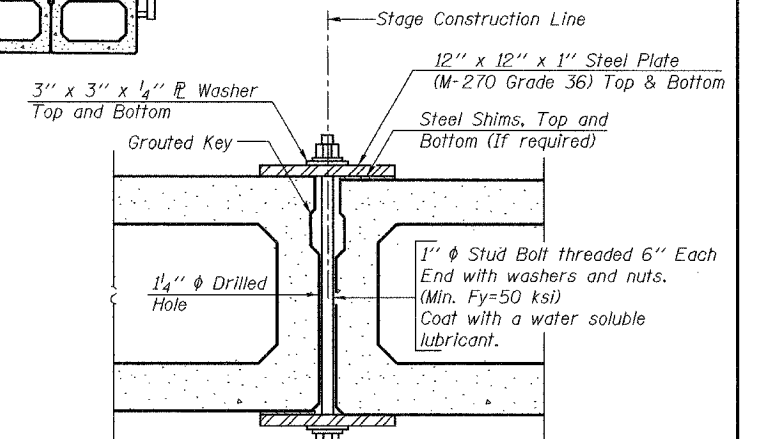
STAGE II CONSTRUCTION
(Looking Northeast)



CLAMPING PLATE



PLAN



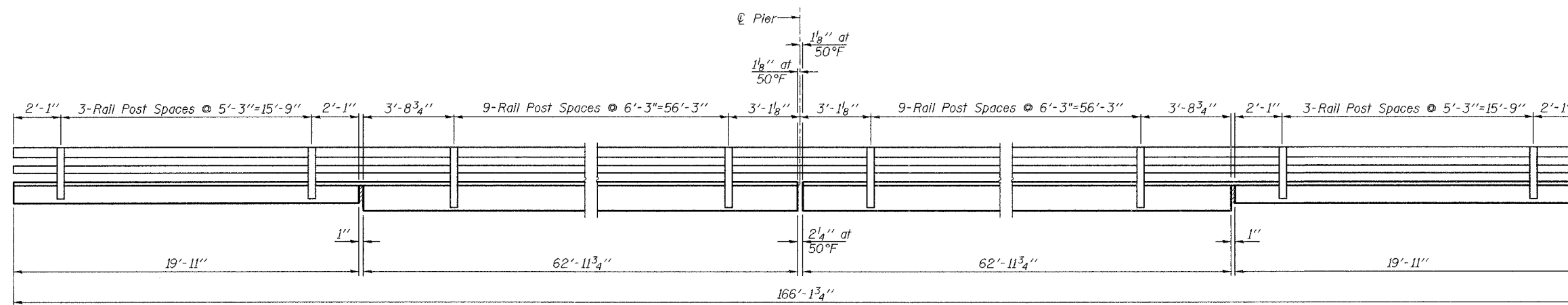
SECTION

SHEAR KEY CLAMPING DETAILS AT STAGE CONST. JT.

Cost of clamping device included in the cost of Precast Prestressed Concrete Deck Beams.

NOTES

Cross Hatched areas indicate Removal of Existing Superstructures. See Roadway plans for quantity of Temporary Concrete Barrier.



RAILING ELEVATION

ILLINOIS DEPARTMENT OF TRANSPORTATION			
SHEET TITLE			
STAGED CONSTRUCTION			
PROJECT	FAP 332 OVER BONPAS CREEK	PROJECT NO.	06026
	FAP ROUTE 332 (IL 1) SECTION 101B-1	SCALE	
	WABASH COUNTY	DATE	03/15/07
	STATION 149+30	DRAWN BY	TFG
	SN 093-0005	CHECKED BY	CB/OME/MCB
COOMBE-BLOXDORF P.C.			2
Engineers / Land Surveyors Springfield, Illinois			
Design Firm License No. 184-002703			OF 11 SHTS