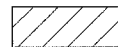
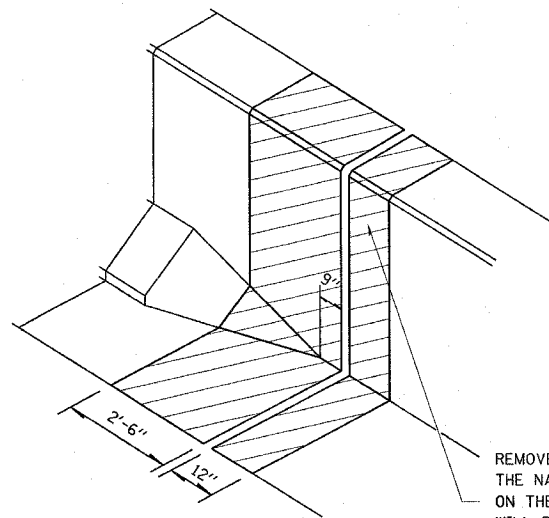


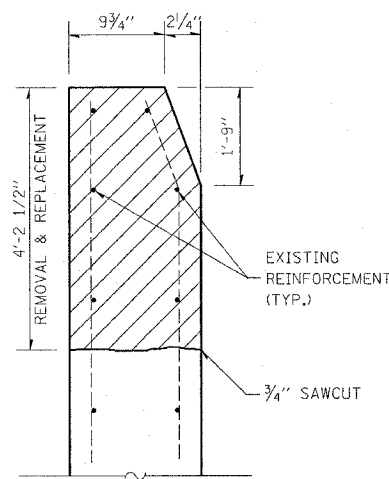
F.A.I. R.T.E.	SECTION	COUNTY	TOTAL SHEETS	SHEET NO.
70		**	12	13
STA. TO STA.		ILLINOIS FED. AID PROJECT		

 CONCRETE REMOVAL (LIMITS ARE FROM OUT TO OUT OF DECK)

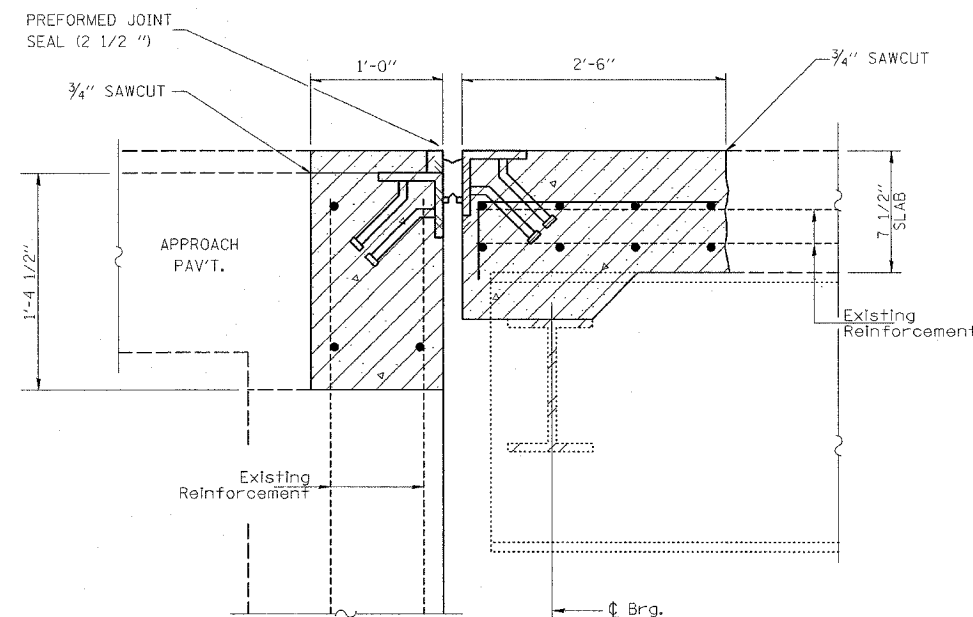


REMOVE AND REINSTALL THE NAME PLATE LOCATED ON THE S.W. WING STR. 026-0013, WILL BE INCLUDED IN THE COST OF CONCRETE SUPERSTRUCTURE

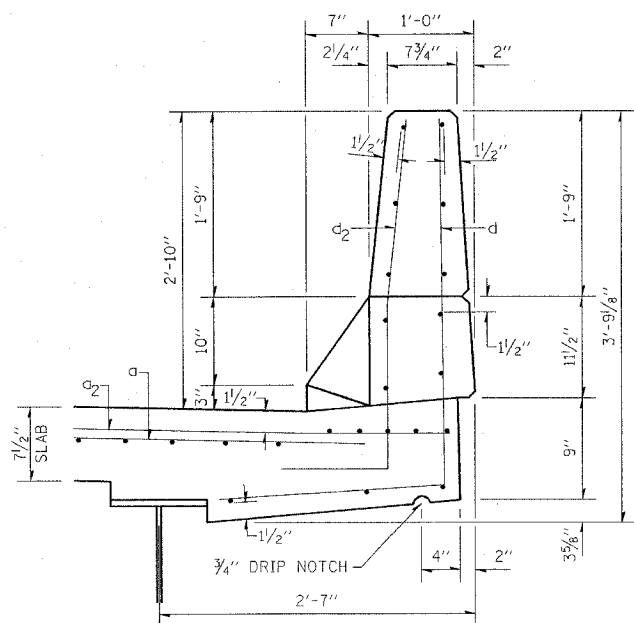
TYPICAL CONCRETE REPLACEMENT AT EACH ABUTMENT



WINGWALL DETAIL

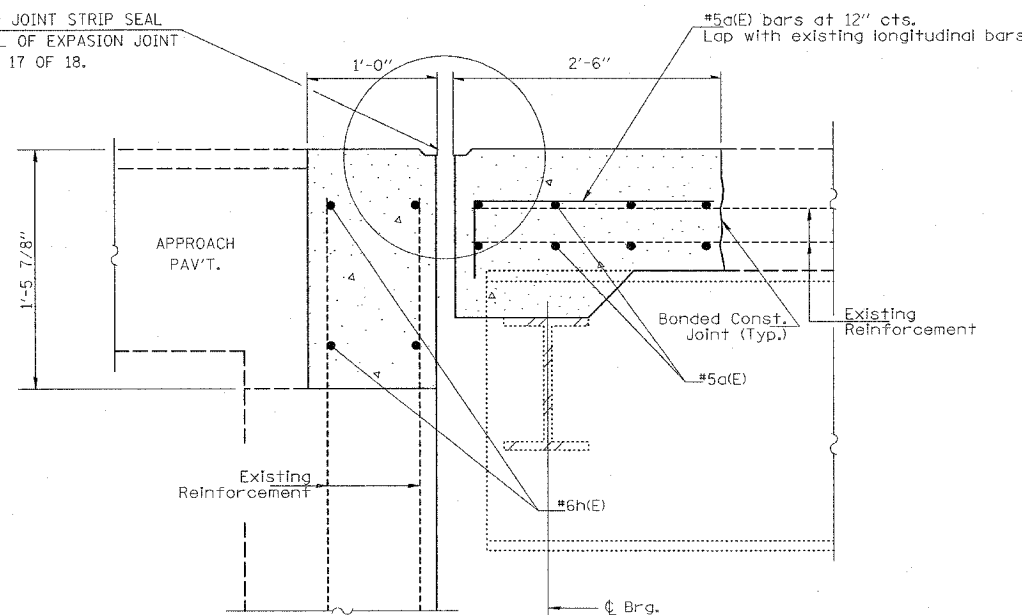


EXISTING EXPANSION JOINTS AT ABUTMENTS



PARAPET DETAIL

PREFORMED JOINT STRIP SEAL FOR DETAIL OF EXPANSION JOINT SEE SHEET 17 OF 18.



PROPOSED EXPANSION JOINTS AT ABUTMENTS

NOTE: EXISTING REINFORCEMENT BARS ARE TO BE CLEANED, STRIGHTENED AND INCORPORATED INTO THE NEW CONSTRUCTION. ANY REINFORCEMENT BARS THAT ARE DAMAGED DURING CONCRETE REMOVAL OPERATIONS SHALL BE REPAIRED OR REPLACED USING AN APPROVED BAR SPLICER OR ANCHORAGE SYSTEM (COST INCLUDED IN CONCRETE REMOVAL).

REVISIONS	
NAME	DATE

ILLINOIS DEPARTMENT OF TRANSPORTATION  
**EXPANSION JOINT & REBAR  
 DETAILS**  
**EAST & WEST ABUTMENTS**  
**SN 026-0013**

SCALE: VERT.     DRAWN BY  
 HORIZ.            CHECKED BY