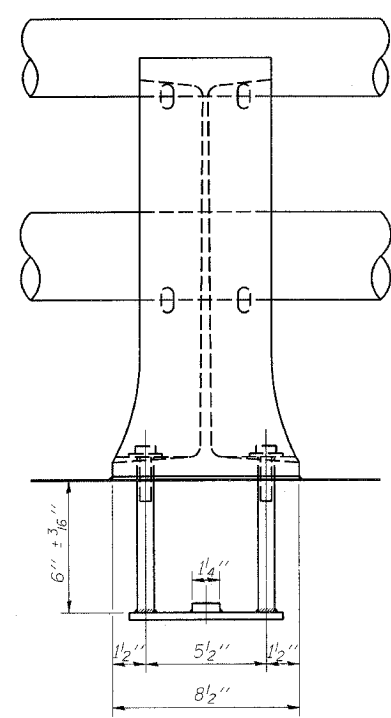
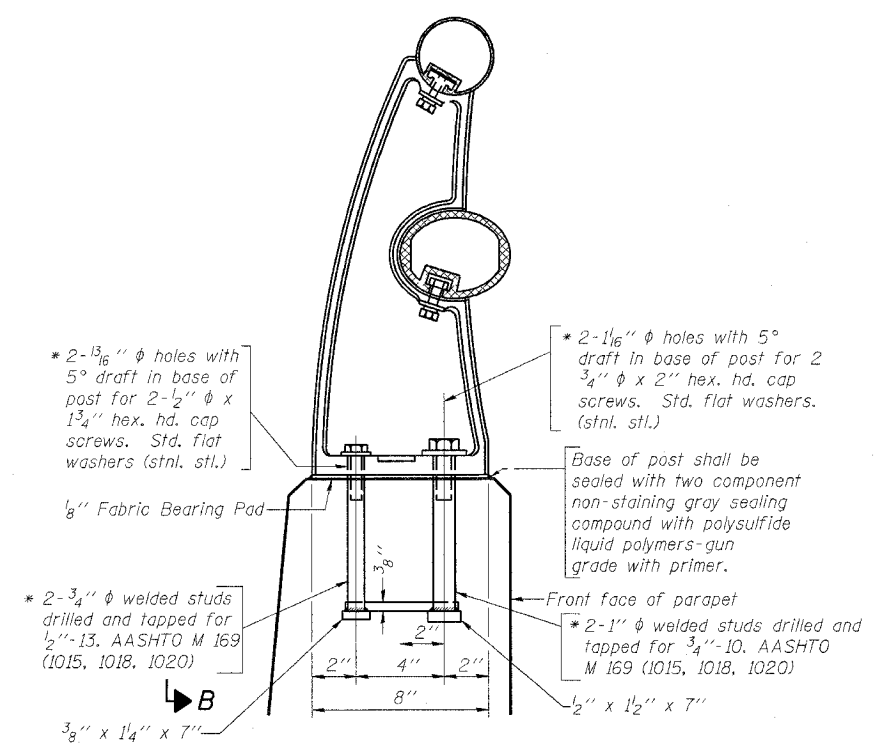


F.A.P. RTE.	SECTION	COUNTY	TOTAL SHEETS	SHEET NO.
320	*	MACON	16	16
STA.		TO STA.		
FED. ROAD DIST. NO.		ILLINOIS FED. AID PROJECT		
* D7 JOINT REPAIRS 2007-3				



NOTE: Aluminum railing support post are to be removed, cleaned and reinstalled during construction. New bolts, bearing pads, and post support anchor assemblies are to be provided. (4 Locations)



\* In lieu of the cast-in-place anchor device shown, the Contractor has the option of drilling and epoxy grouting stainless steel anchor rods of the same diameter and grade as the specified cap screws. Embedment shall be according to the manufacturer's specifications.

PLOT DATE = 2/26/2007  
 FILE NAME = c:\pcc\projects\74202\sub\87486pa.dgn  
 PLOT SCALE = 58.0000 / IN.  
 USER NAME = bnd-terp

REVISIONS	
NAME	DATE

ILLINOIS DEPARTMENT OF TRANSPORTATION

**RAIL POST SUPPORT ANCHOR DETAILS**  
**SN 058-0020**

SCALE: VERT. \_\_\_\_\_  
 HORIZ. \_\_\_\_\_

DATE \_\_\_\_\_ DRAWN BY \_\_\_\_\_  
 CHECKED BY \_\_\_\_\_