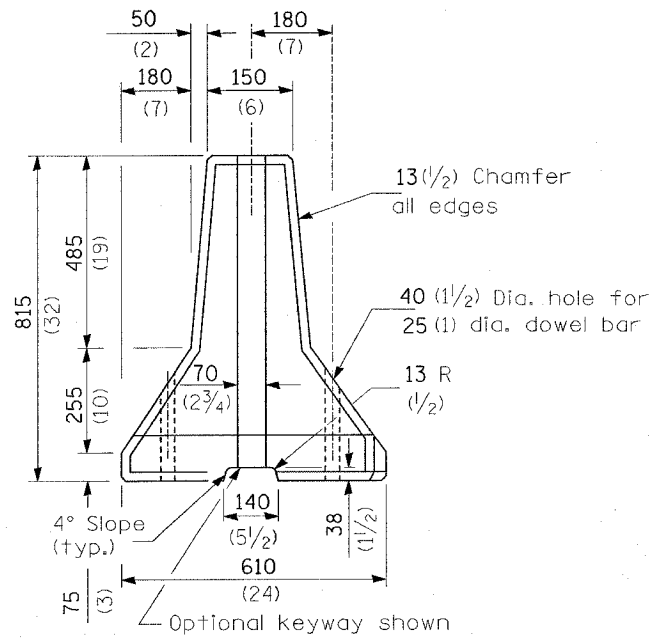
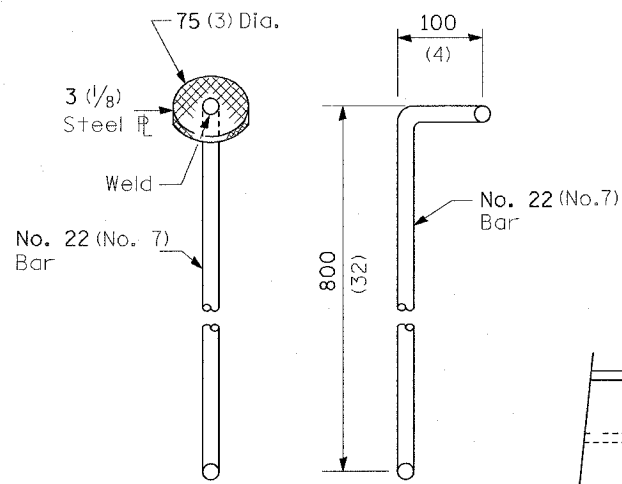


F.A.P. RTE.	SECTION	COUNTY	TOTAL SHEETS	SHEET NO.
785	137BR	BOND	29	27
STA.		TO STA.		
FED. ROAD DIST. NO.		ILLINOIS FED. AID PROJECT		

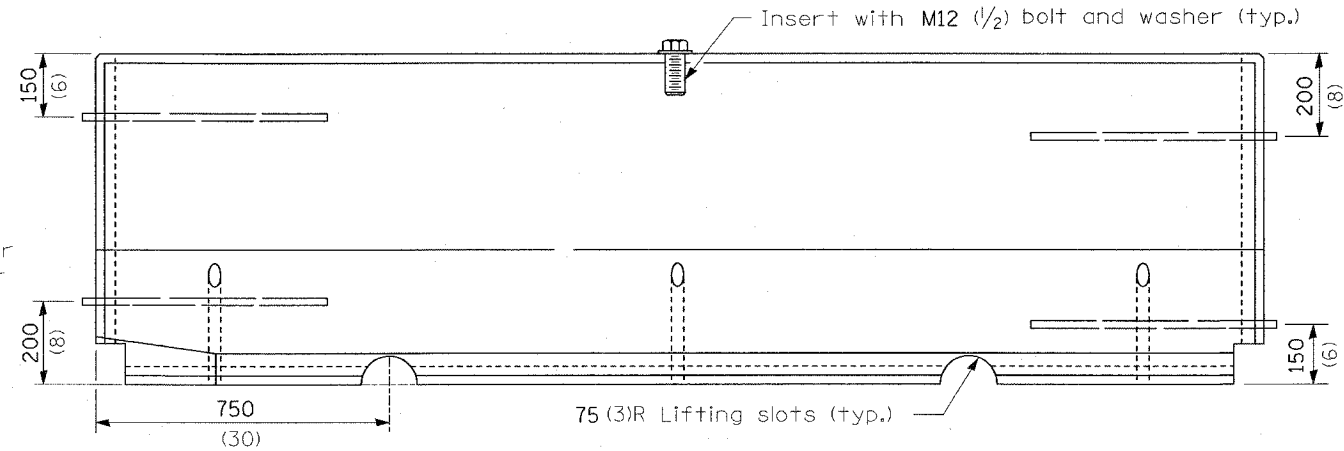


END VIEW

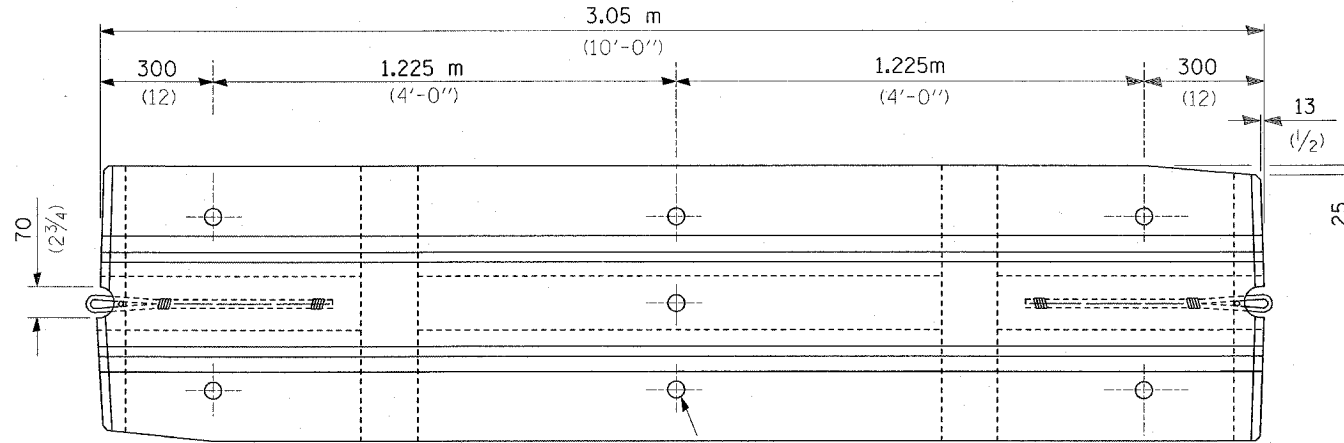
(without wire rope loops)



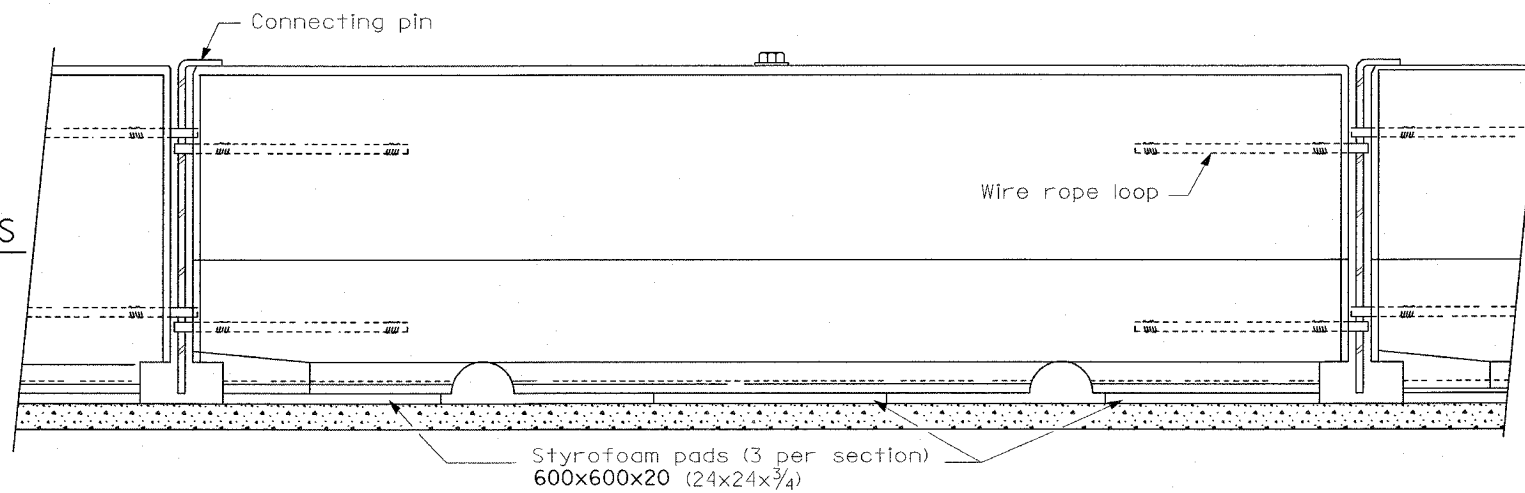
ALTERNATE CONNECTING PINS



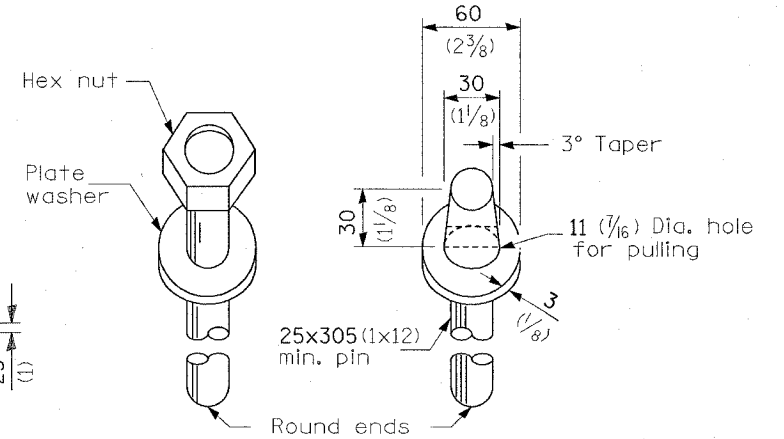
ELEVATION



PLAN



TYPICAL INSTALLATION WITH STYROFOAM PADS



DOWEL BARS

NOTES:
New Jersey (NJ) shape barrier shall not be produced after October 1, 2002. However, New Jersey shape barrier produced prior to October 1, 2002 may be used until January 1, 2008.

The NJ shape barrier units shall be seated on styrofoam pads except when they are anchored.

NJ shape dowel bars shall be embedded at least 200 (8) into the pavement, and shall not project above the outer surface of the barrier. The connecting pin for the NJ shape pin and loop connection, may be either a plain 22 (7/8) diameter or a deformed No. 22 (No. 7) bar meeting the requirements of Article 1006.10(b) except Grade 400 (Grade 60) bars shall be used.

REVISIONS	
NAME	DATE

ILLINOIS DEPARTMENT OF TRANSPORTATION
**TEMP. CONCRETE BARRIER
FOR STAGE CONSTRUCTION**

FAP ROUTE 785
SECTION 137BR
BOND COUNTY

PLOT DATE = 4/2/2007
FILE NAME = c:\p\projects\76279\plan\pin023a.dgn
PLOT SCALE = 20.000 / IN.
USER NAME = dcmartin