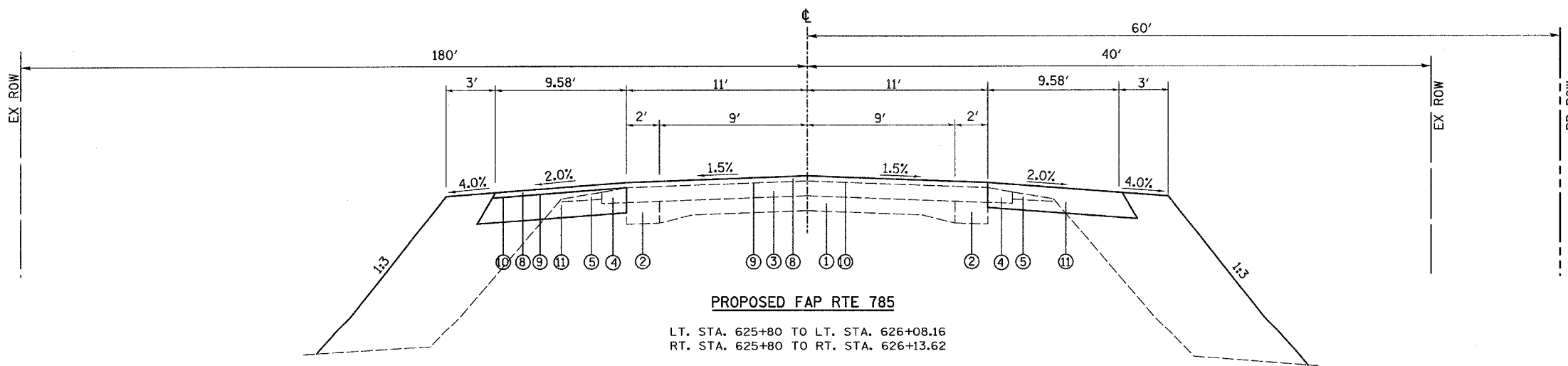
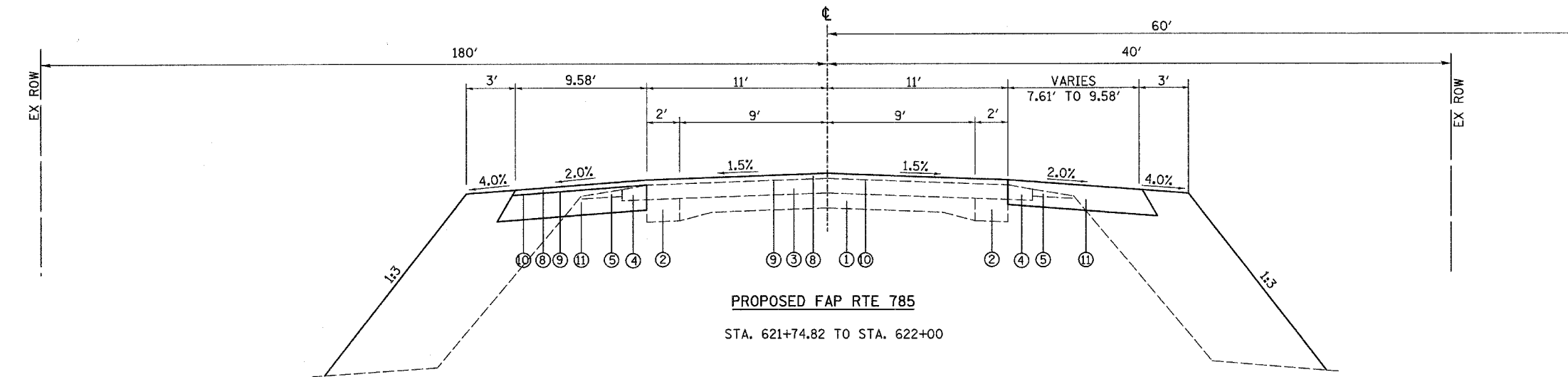
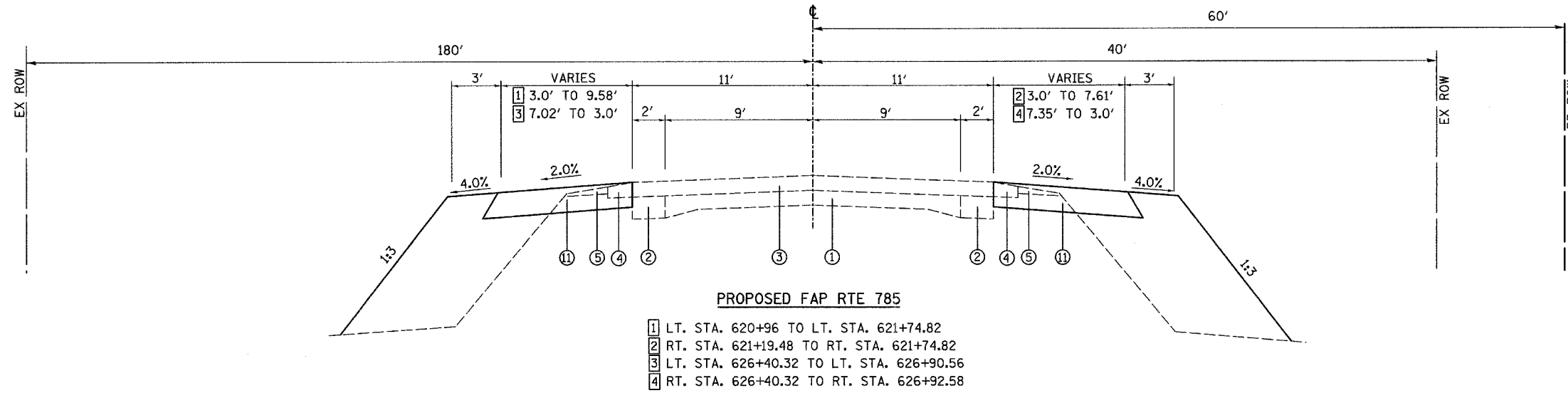


F.A.P. RTE.	SECTION	COUNTY	TOTAL SHEETS	SHEET NO.
785	134-1BR-2	MADISON	56	6
STA.		TO STA.		
FED. ROAD DIST. NO.		ILLINOIS	FED. AID PROJECT	

LEGEND

- ① EXISTING PCC PAVEMENT (9'-6"-9")
- ② EXISTING PCC WIDENING 8"
- ③ EXISTING BITUMINOUS OVERLAYS 6"±
- ④ EXISTING BITUMINOUS SHOULDER (6" @ PAVEMENT & 4 1/2 " @ OUTER EDGE)
- ⑤ EXISTING AGGREGATE SHOULDER
- ⑥ PROPOSED SUBBASE GRANULAR MATERIAL, TYPE A, 4"
- ⑦ PROPOSED BRIDGE APPROACH PAVEMENT, STD 420401
- ⑧ HOT-MIX ASPHALT SURFACE COURSE, MIX "D", N70, VARIABLE DEPTH
- ⑨ BITUMINOUS MATERIALS (PRIME COAT)
- ⑩ AGGREGATE (PRIME COAT)
- ⑪ HOT-MIX ASPHALT BASE COURSE 9"
- ⑫ PROPOSED BRIDGE APPROACH PAVEMENT CONNECTOR (PCC), SPECIAL
- ⑬ PROPOSED PCC CURB, SEE TYPE D INLET BOX DETAIL SHEET 47



REVISIONS	
NAME	DATE

ILLINOIS DEPARTMENT OF TRANSPORTATION

TYPICAL SECTIONS

FAP ROUTE 785
SECTION 134-1BR-2
MADISON COUNTY

PLOT DATE = 03/21/2007
 FILE NAME = H:\P\2588A\Technical\Production\Structural\SN 068-0248\Microstation\P1\0675a.dgn
 PLOT SCALE = 28.0000 / IN.
 USER NAME = #15518