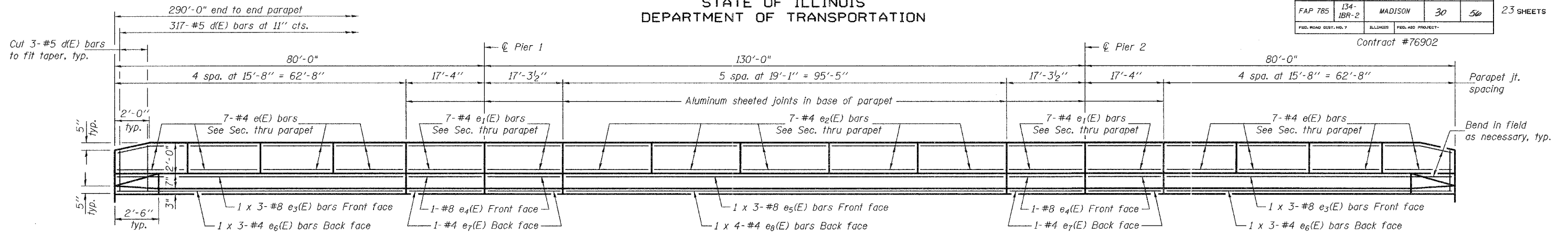


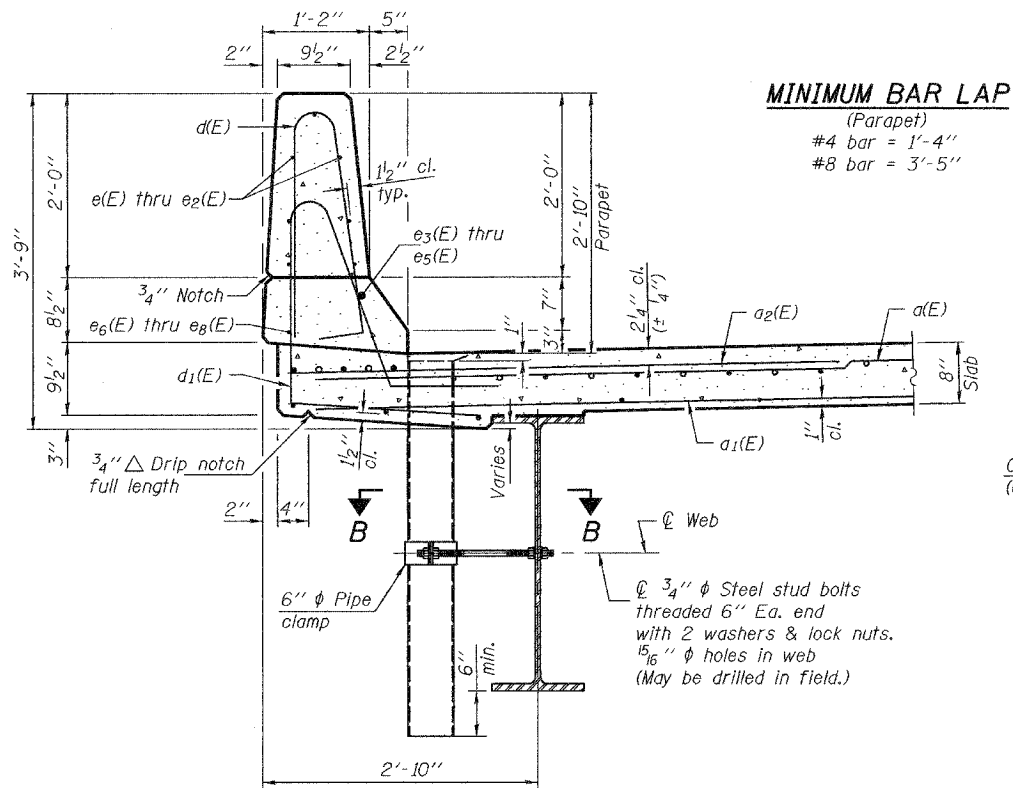
STATE OF ILLINOIS
DEPARTMENT OF TRANSPORTATION

ROUTE NO.	SECTION	COUNTY	SHEETS	SHEET NO.
FAP 785	134-IBR-2	MADISON	30	56
FED. ROAD DIST. NO. 7	ILLINOIS	FED. AID PROJECT-		

SHEET NO. 9
23 SHEETS

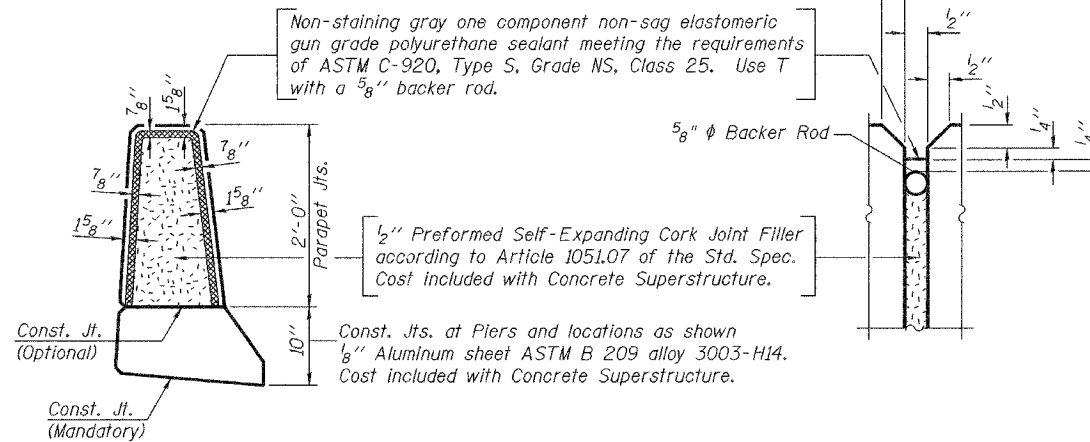


INSIDE ELEVATION OF PARAPET
(Looking north)



SECTION THRU PARAPET

MINIMUM BAR LAP
(Parapet)
#4 bar = 1'-4"
#8 bar = 3'-5"



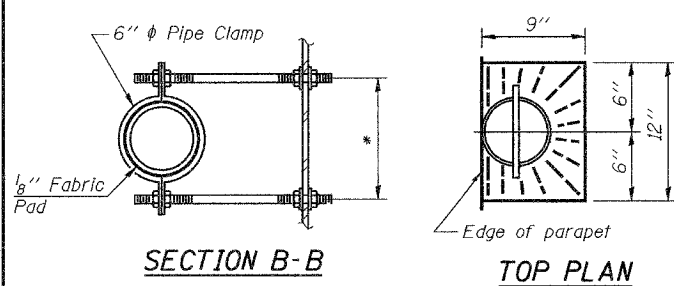
PARAPET JOINT DETAILS

Notes:
The exterior surfaces of the floor drains shall be painted with the finish coat as specified in the special provisions for Cleaning and Painting New Metal Structures. The exterior surfaces of the drains shall be cleaned according to Steel Structures Painting Council's Spec. SSPC-SPI prior to painting.
Fiberglass pipe shall conform to ASTM D 2996, with short-time rupture strength hoop tensile stress of 30,000 p.s.i. minimum.

**SUPERSTRUCTURE
BILL OF MATERIAL**

Bar	No.	Size	Length	Shape
a(E)	1266	#5	21'-1"	—
a1(E)	776	#5	20'-3"	—
a2(E)	1266	#6	6'-0"	—
b(E)	552	#5	26'-2"	—
b1(E)	252	#6	22'-6"	—
b2(E)	462	#5	28'-4"	—
d(E)	634	#5	5'-7"	⌋
d1(E)	634	#5	7'-5"	⌋
e(E)	112	#4	15'-4"	—
e1(E)	56	#4	17'-0"	—
e2(E)	70	#4	18'-9"	—
e3(E)	12	#8	23'-1"	—
e4(E)	8	#8	17'-0"	—
e5(E)	6	#8	34'-0"	—
e6(E)	12	#4	21'-9"	—
e7(E)	8	#4	17'-0"	—
e8(E)	8	#4	24'-10"	—
m(E)	8	#6	20'-4"	—
m1(E)	12	#6	21'-3"	—
m2(E)	16	#6	10'-1"	—
m3(E)	8	#6	7'-2"	—
m4(E)	4	#6	2'-6"	—
m5(E)	4	#6	3'-5"	—
m6(E)	8	#6	7'-9"	—
s(E)	96	#5	6'-9"	⌋
s1(E)	88	#4	12'-4"	⌋
v(E)	88	#5	3'-4"	⌋
Reinforcement Bars, Epoxy Coated		Pound	108960	
Concrete Superstructure		Cu. Yds.	423.0	

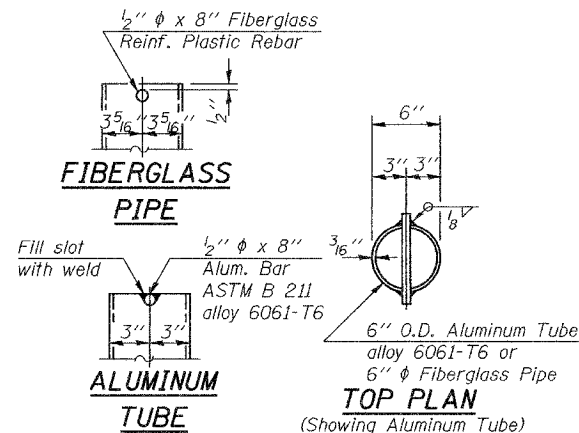
Bars indicated thus 1 x 3-#4 etc. indicates 1 line of bars with 3 lengths per line.



SECTION B-B

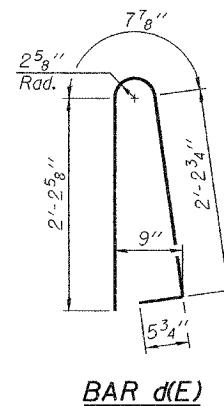
TOP PLAN

*Dimension as required by Pipe Clamp

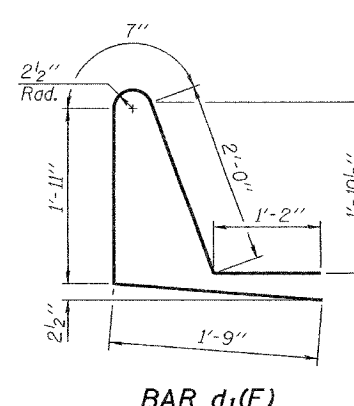


FIBERGLASS PIPE

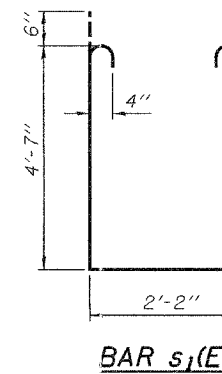
ALUMINUM TUBE



BAR d(E)

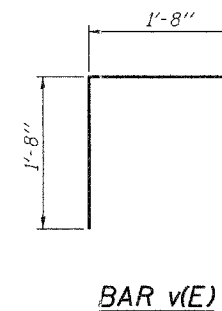


BAR d1(E)



BAR s(E)

BAR s1(E)



BAR v(E)

DESIGNED	R.L. Tharp
CHECKED	N.R. Barnett
DRAWN	h.t. duong
CHECKED	RLT/NRB

EXAMINED	Thomas J. Demagala	April 9, 2007
PASSED	Ralph E. Anderson	

SUPERSTRUCTURE DETAILS
F.A.P. RTE. 785 - SEC. 134-IBR-2
MADISON COUNTY
STATION 623+90.00
STRUCTURE NO. 060-0240