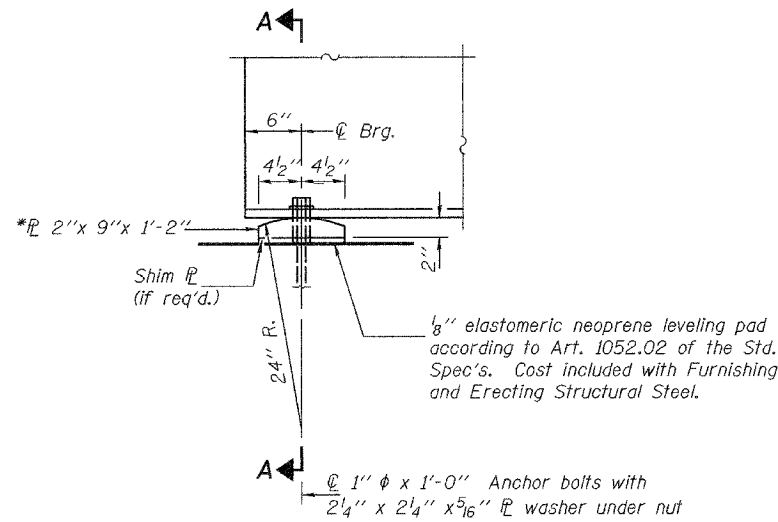
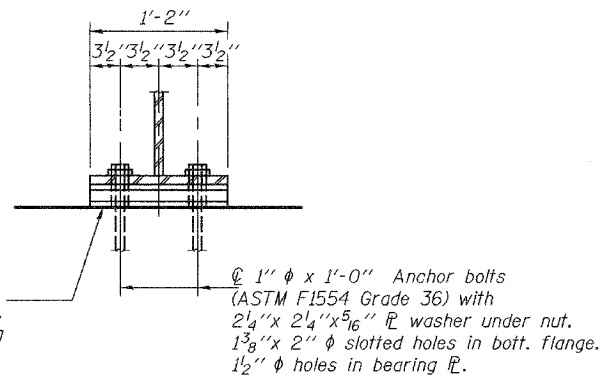


STATE OF ILLINOIS
DEPARTMENT OF TRANSPORTATION

ROUTE NO.	SECTION	COUNTY	SHEET	PROJECT	SHEET NO. 13 23 SHEETS
FAP 785	134- IBR-2	MADISON	34	56	
FED. ROAD DIST. NO. 7	ILLINOIS	FED. AID PROJECT-	Contract #76902		



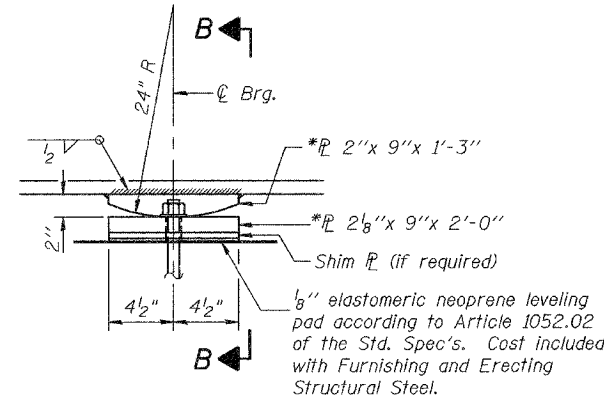
ELEVATION AT ABUTMENTS



SECTION A-A

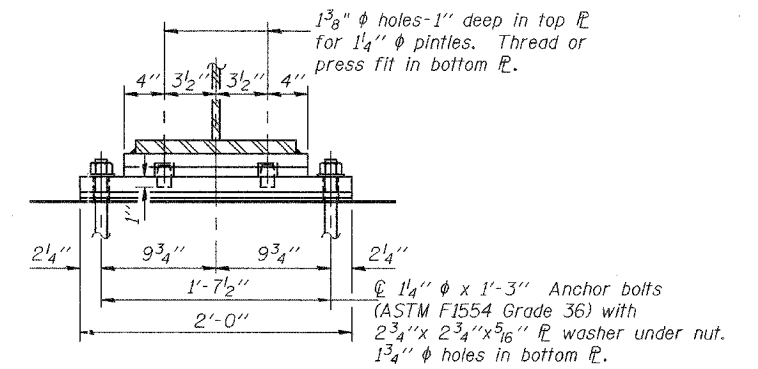
*AASHTO M270, Grade 50.

FIXED BEARING
(12 Required)

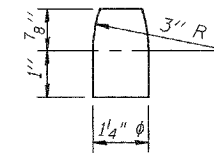


ELEVATION AT PIERS

FIXED BEARING
(12 Required)



SECTION B-B



***PINTLE**

Notes: Anchor bolts shall be ASTM F1554 all-thread (or an Engineer approved alternate material) of the grade(s) and diameter(s) specified. ASTM A307 Grade C anchor bolts may be used in lieu of ASTM F1554 Grade 36 (Fy = 36ksi). The corresponding specified grade of AASHTO M314 anchor bolts may be used in lieu of ASTM F1554. Anchor bolts at fixed bearings may be either cast in place or installed in holes drilled after the supported member is in place. Drilled and set anchor bolts shall be installed according to Article 521.06 of the Standard Specifications. Two 1/8 in. adjusting shims shall be provided for each bearing in addition to all other plates or shims and placed as shown on bearing details.

BILL OF MATERIAL

Item	Unit	Total
Anchor Bolts, 1" ϕ	Each	24
Anchor Bolts, 1/4" ϕ	Each	24

DESIGNED	R.L. Tharp
CHECKED	N.R. Barnett
DRAWN	h.t. duong
CHECKED	RLT/NRB

April 9, 2007
 EXAMINED *Thomas J. Donagale*
 ENGINEER OF BRIDGE DESIGN
 PASSED *Ronald E. Anderson*
 ENGINEER OF BRIDGES AND STRUCTURES

BEARING DETAILS
F.A.P. RTE. 785 - SEC. 134-IBR-2
MADISON COUNTY
STATION 623+90.00
STRUCTURE NO. 060-0240