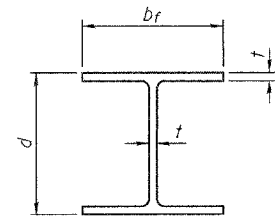


STATE OF ILLINOIS  
DEPARTMENT OF TRANSPORTATION

ROUTE NO.	SECTION	COUNTY	TOTAL SHEETS	SHEET NO.
FAP 785	134-IBR-2	MADISON	40	50
FED. ROAD DIST. NO. 7	ILLINOIS	FED. AID PROJECT		

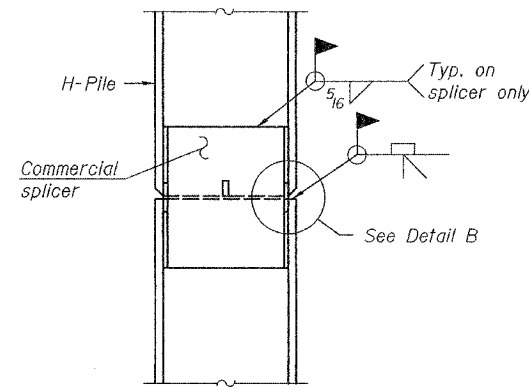
SHEET NO. 19  
23 SHEETS

Contract #76902

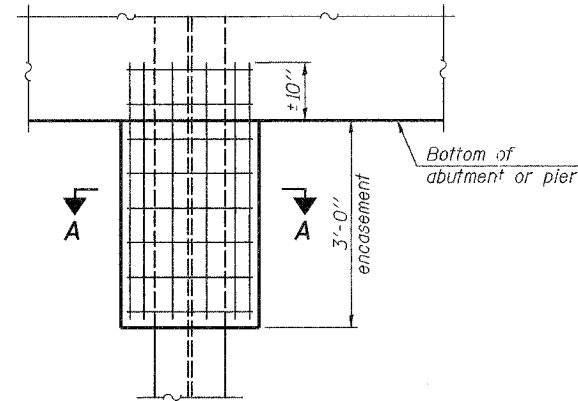


STEEL PILE TABLE

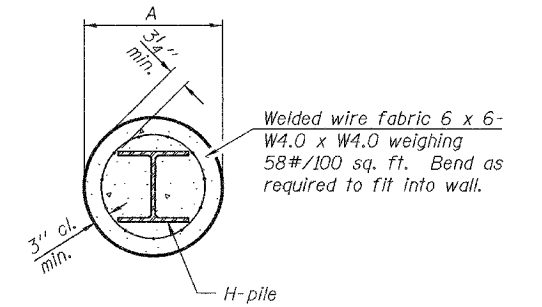
Designation	Depth d	Flange width bf	Web and Flange thickness t	Encasement diameter A
HP 14x117	14 1/4"	14 7/8"	13/16"	30"
x102	14"	14 3/4"	1/16"	30"
x89	13 7/8"	14 3/4"	5/8"	30"
x73	13 5/8"	14 5/8"	1/2"	30"
HP 12x84	12 1/4"	12 1/4"	1/16"	24"
x74	12 1/8"	12 1/4"	5/8"	24"
x63	12"	12 1/8"	1/2"	24"
x53	11 3/4"	12"	7/16"	24"
HP 10x57	10"	10 1/4"	9/16"	24"
x42	9 3/4"	10 1/8"	7/16"	24"
HP 8x36	8"	8 3/8"	7/16"	18"



ELEVATION



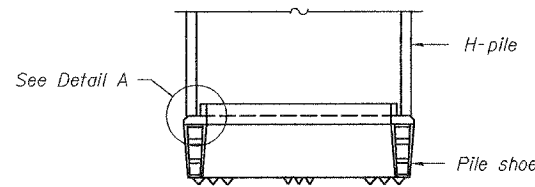
ELEVATION



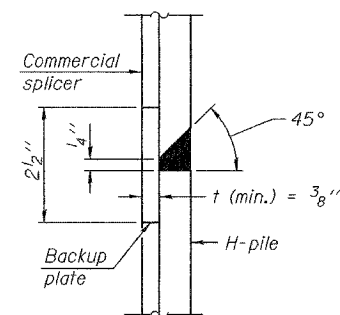
SECTION A-A

Note:  
Forms for encasement may be omitted when soil conditions permit.

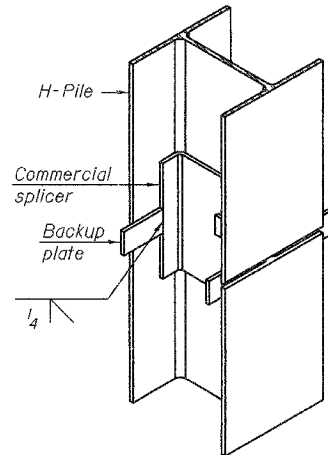
PILE ENCASEMENT



ELEVATION

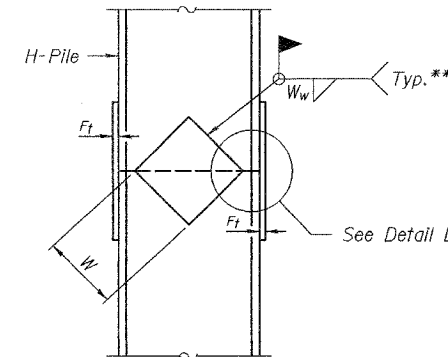


DETAIL "B"

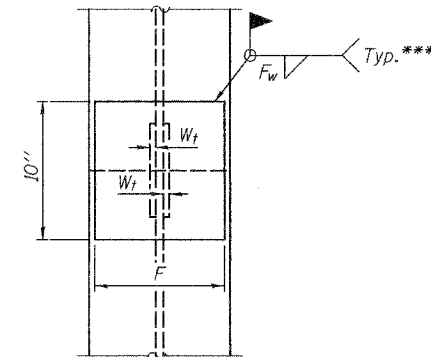


ISOMETRIC VIEW

WELDED COMMERCIAL SPLICE

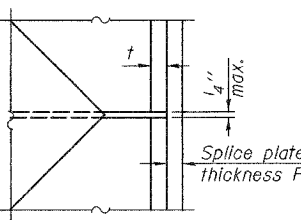


ELEVATION



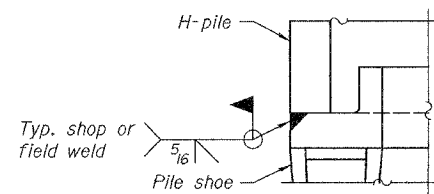
END VIEW

Designation	F	F <sub>t</sub>	F <sub>w</sub>	W	W <sub>f</sub>	W <sub>w</sub>
HP 14x117	12 1/2"	1"	7/8"	7 3/4"	5 8"	1/2"
x102	12 1/2"	7/8"	3/4"	7 3/4"	5 8"	1/2"
x89	12 1/2"	3/4"	1/16"	7 3/4"	5 8"	1/2"
x73	12 1/2"	5/8"	9/16"	7 3/4"	5 8"	1/2"
HP 12x84	10"	7/8"	1/16"	6 1/2"	5 8"	1/2"
x74	10"	7/8"	1/16"	6 1/2"	5 8"	1/2"
x63	10"	5/8"	1/2"	6 1/2"	1/2"	3/8"
x53	10"	5/8"	1/2"	6 1/2"	1/2"	3/8"
HP 10x57	8"	3/4"	9/16"	5 1/4"	1/2"	3/8"
x42	8"	5/8"	9/16"	5 1/4"	1/2"	3/8"
HP 8x36	7"	5/8"	7/16"	4 1/4"	1/2"	3/8"



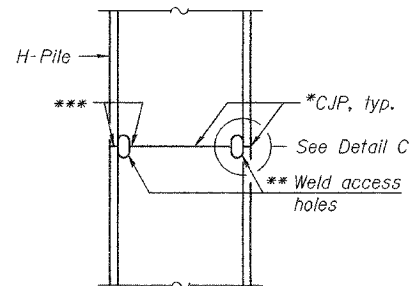
DETAIL D

WELDED PLATE FIELD SPLICE

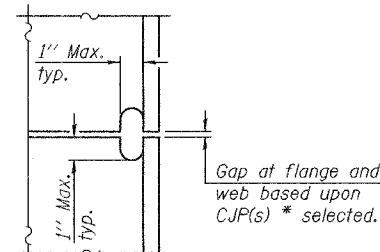


DETAIL A

H-PILE SHOE ATTACHMENT



ELEVATION



DETAIL C

COMPLETE PENETRATION WELD SPLICE

- \* Use joint conforming to Figure 3.4 in AWS D1.1, Structure Welding Code - Steel.
- \*\* Preparation per Fig. 5.2 in AWS D1.1, Structure Welding Code - Steel.
- \*\*\* Interrupt welds 1/4" from end of each pile.

Note:  
The steel H-piles shall be according to AASHTO M270 Grade 50.

PILE DETAILS  
F.A.P. RTE. 785 - SEC. 134-IBR-2  
MADISON COUNTY  
STATION 623+90.00  
STRUCTURE NO. 060-0240

DESIGNED	R.L. Tharp
CHECKED	N.R. Barneff
DRAWN	h.t. duong
CHECKED	RLT/NRB

April 9, 2007  
EXAMINED *Thomas Demagala*  
PASSED *Ralph E. Anderson*  
ENGINEER OF BRIDGES AND STRUCTURES

F-HP 11-1-06