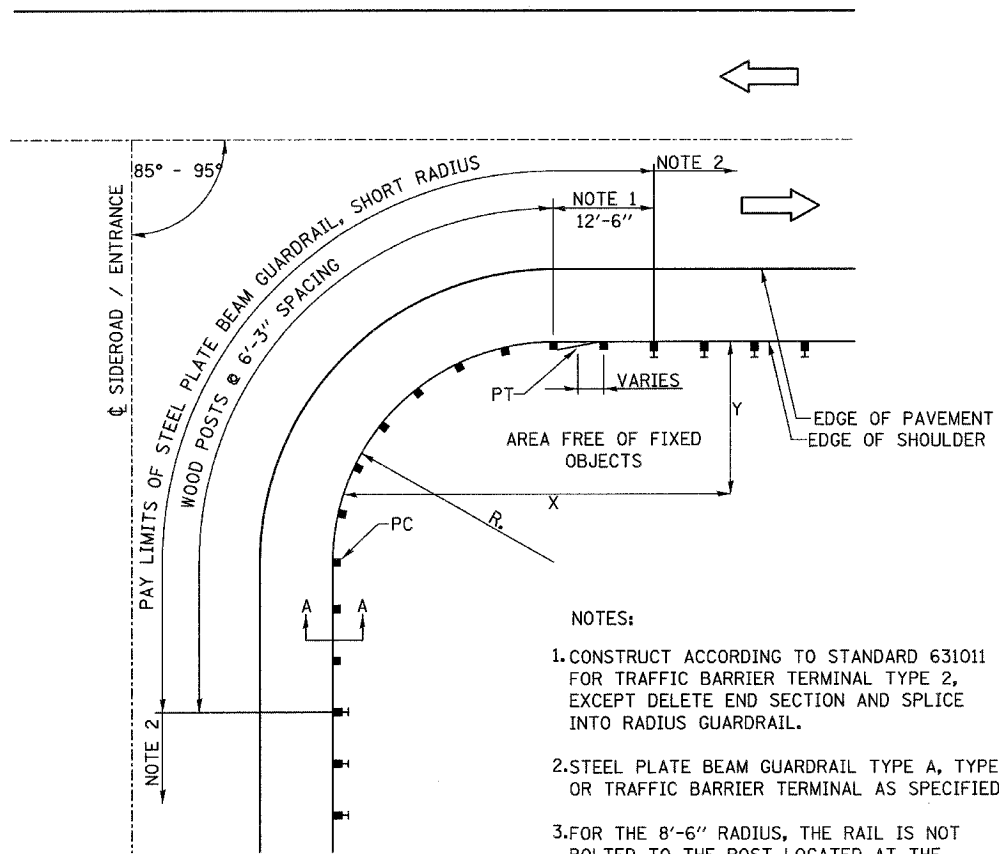


FAP ROUTE	SECTION	COUNTY	TOTAL SHEETS	SHEET NO
785	134-1BR-2	MADISON	56	46
STA.		TO STA.		
FED. ROAD DIST. NO.		ILLINOIS FED. AID PROJECT		

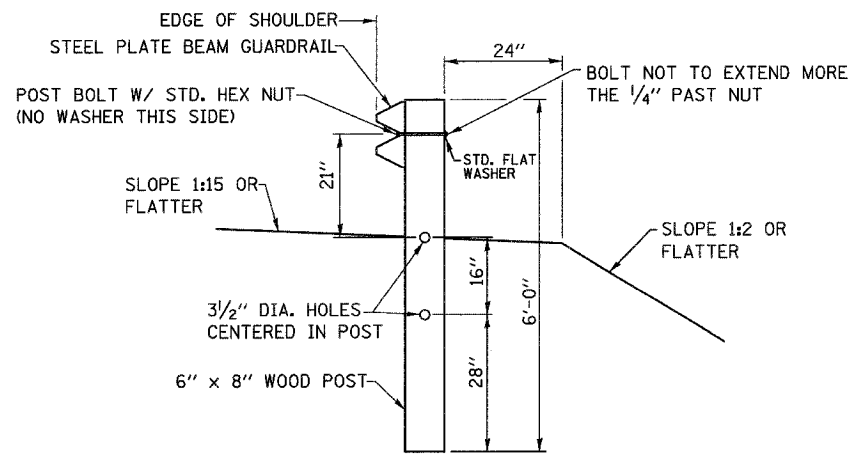
PLAN	DATE
SURVEYED	BY
DESIGNED	BY
CHECKED	BY
IN CHARGE	BY
NO.	



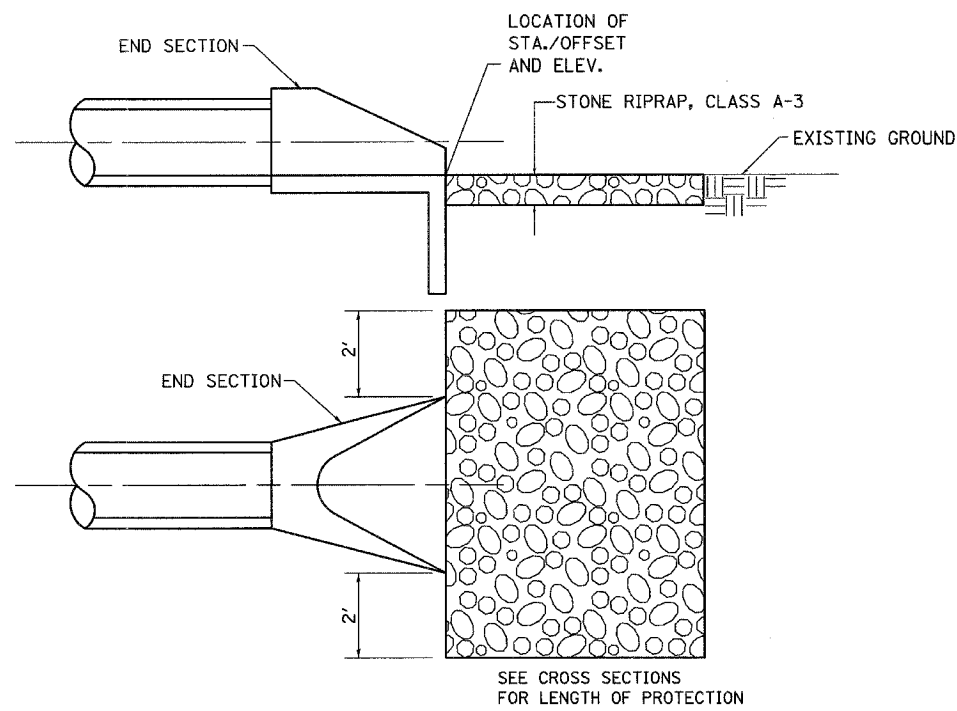
PLAN VIEW SHORT RADIUS GUARDRAIL DETAIL

NOT TO SCALE

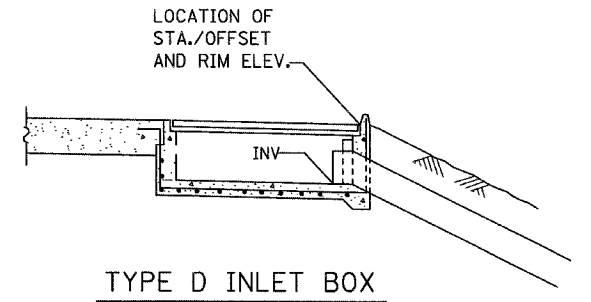
INSTALLATION CHARACTERISTICS PER DESIGN RADIUS			
R	NO. OF WOOD POSTS	X	Y
8'-6"	5 (NOTE 3)	25'	15'
17'-0"	6	30'	15'
25'-6"	8	40'	20'
35'-0"	11	50'	20'



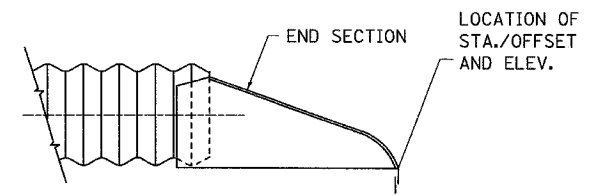
SECTION A-A  
NOT TO SCALE



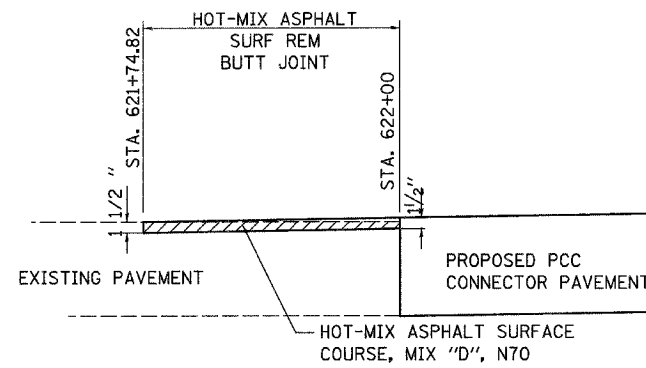
TYPICAL RIPRAP DETAIL



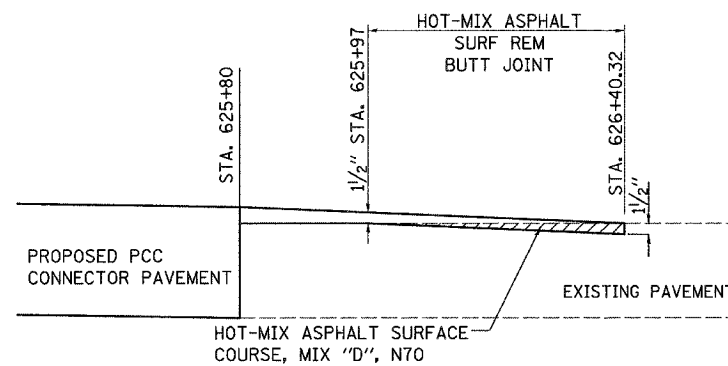
TYPE D INLET BOX



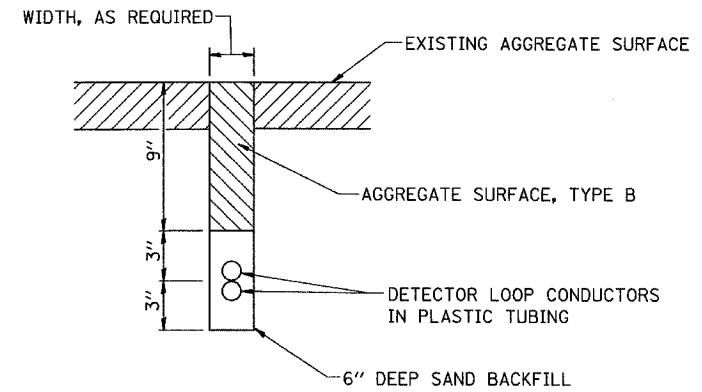
METAL END SECTION



BUTT JOINT DETAIL WEST END



BUTT JOINT DETAIL EAST END



DETECTOR LOOP INSTALLED IN TRENCH

INSTALLATION SHALL CONFORM TO THE REQUIREMENTS OF THE PLANS AND SECTION 886 OF THE STANDARD SPECIFICATIONS WITH THE FOLLOWING EXCEPTIONS:

1. SLOTS ARE TO BE TRENCHED INSTEAD OF SAWED.
2. THIS WORK SHALL NOT BE PAID FOR SEPARATELY BUT SHALL BE INCLUDED IN THE COST OF TRAFFIC CONTROL AND PROTECTION, STANDARD 701321.

REVISIONS	
NAME	DATE

ILLINOIS DEPARTMENT OF TRANSPORTATION

DETAIL SHEET  
FAP ROUTE 785  
SECTION 134-1BR-2  
MADISON COUNTY  
SN 060-0240