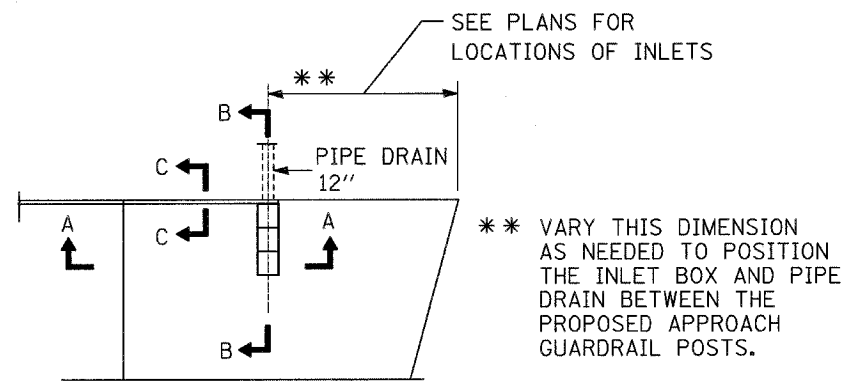
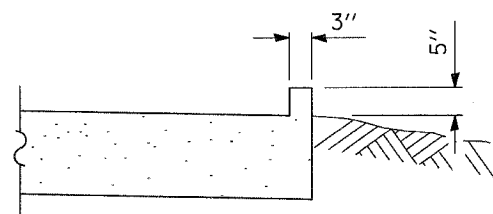


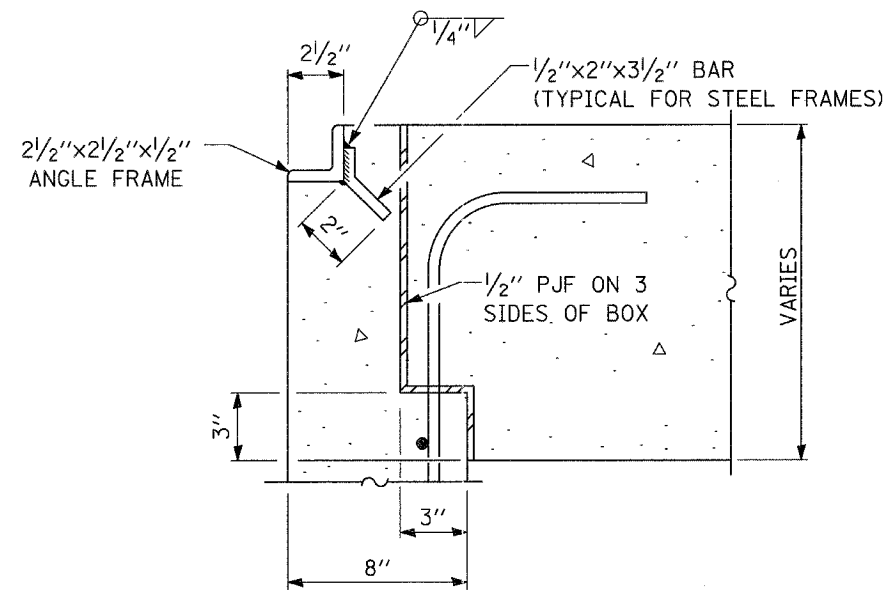
F.A.P. RTE.	SECTION	COUNTY	TOTAL SHEETS	SHEET NO.
785	134-1BR-2	MADISON	56	47
STA.		TO STA.		
FED. ROAD DIST. NO.		ILLINOIS FED. AID PROJECT		



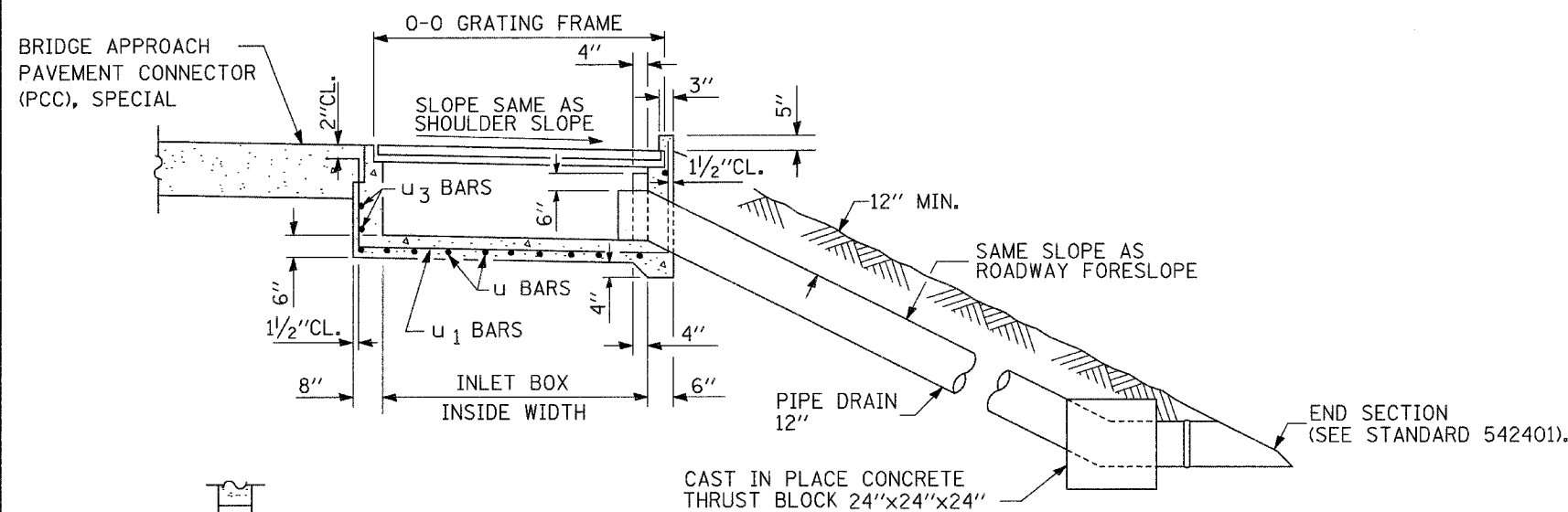
DETAIL PLAN



SECTION C-C



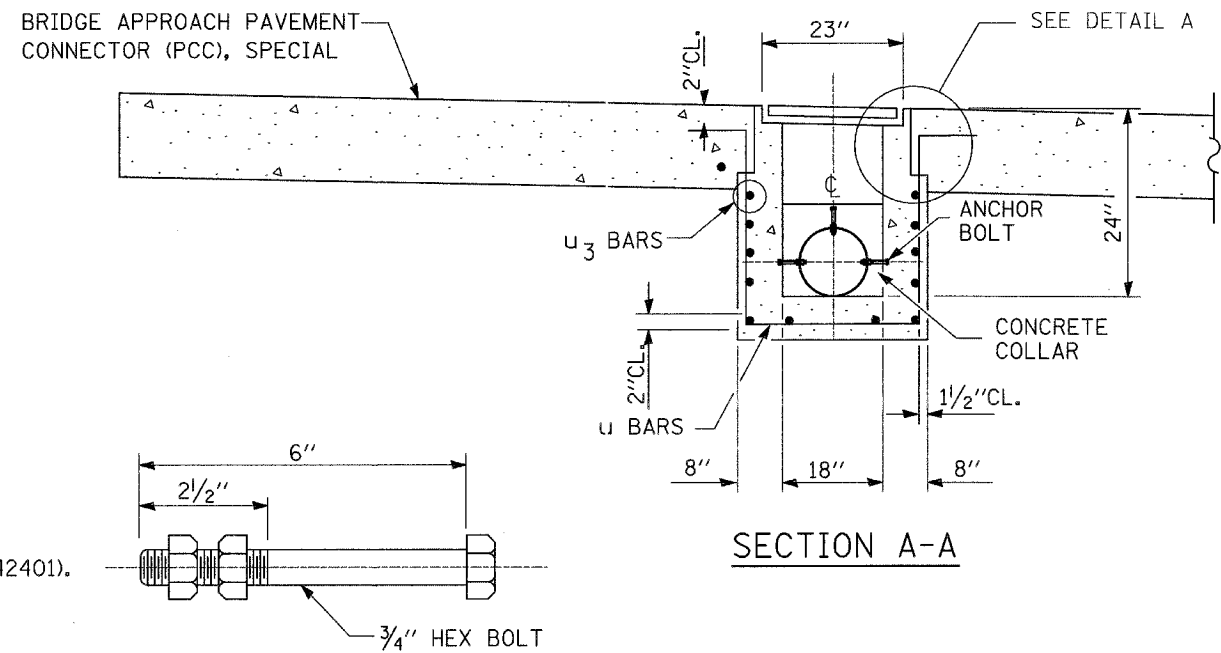
DETAIL A



SEC. B-B

BOX OUTLET WHEN PRECAST

INLET TYPE	0-0 GRATING FRAME	INLET BOX INSIDE WIDTH	INLET BOX INSIDE LENGTH
TYPE D	6'-5"	6'-0"	18"



GENERAL NOTES

ALL EXPOSED EDGES OF THE INLET, EXCEPT THE UPPER PERIMETER, SHALL BE BEVELED 3/4".

REVISIONS	
NAME	DATE

ILLINOIS DEPARTMENT OF TRANSPORTATION

TYPE D INLET BOX DETAIL

FAP ROUTE 785
SECTION 134-1BR-2
MADISON COUNTY
SN 060-0240

PLOT DATE = 03/21/2007
FILE NAME = H:\P\25084\Technical\Production\Structural\SN_060-0240\Microstation\060-0240.dgn
PLOT SCALE = 28.0000 / 1 IN.
USER NAME = JUSERS