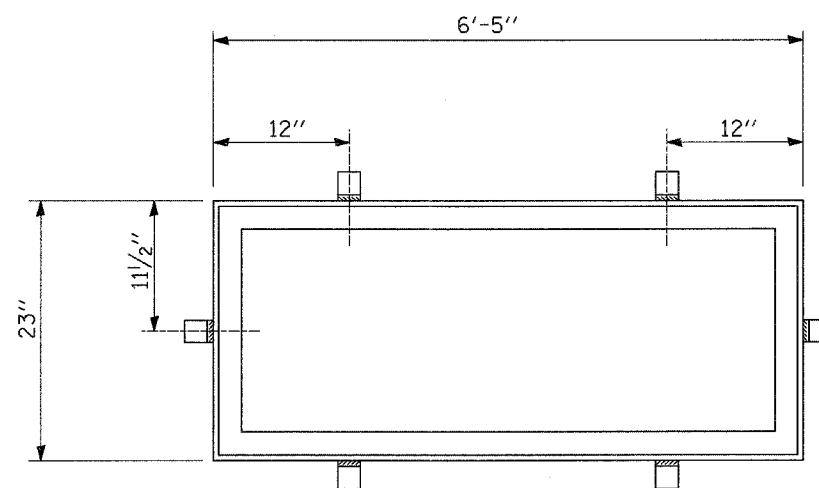
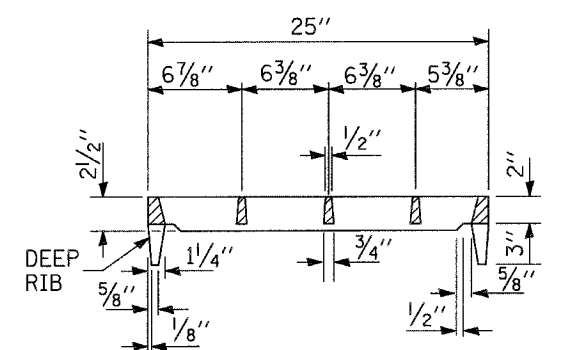
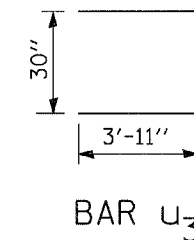
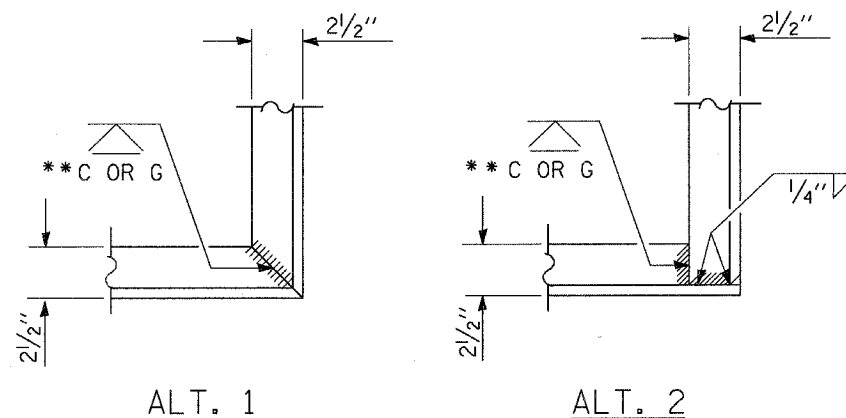
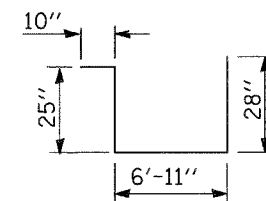
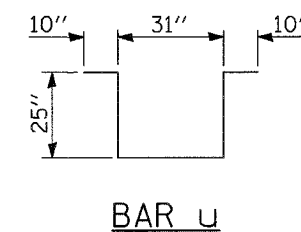
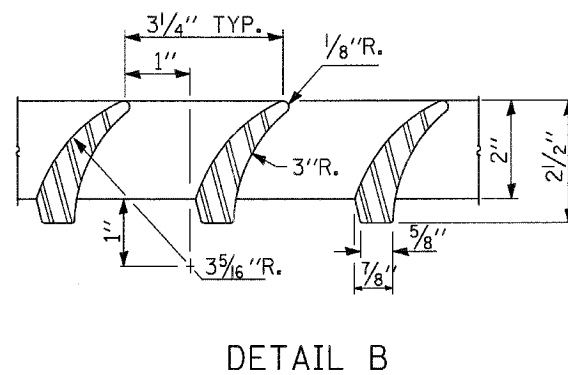
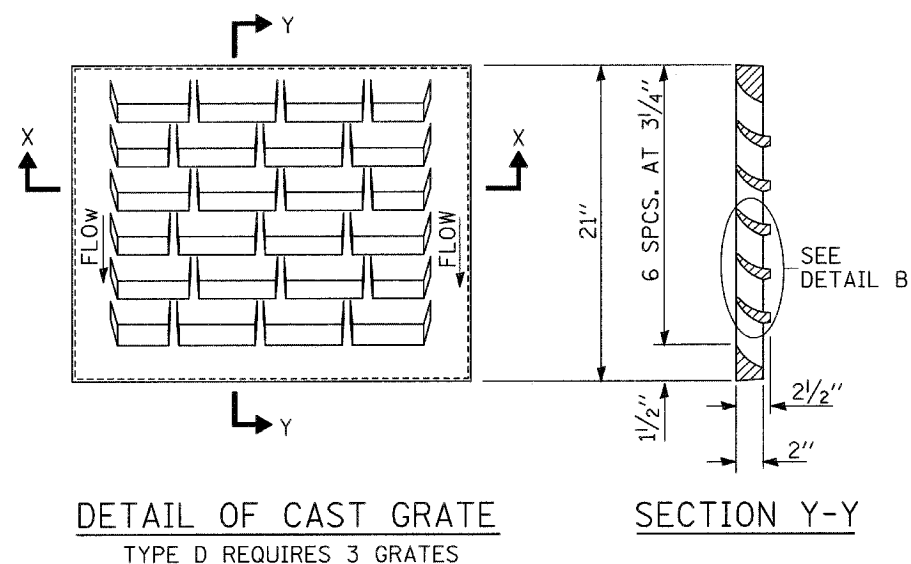


F.A.P. RTE.	SECTION	COUNTY	TOTAL SHEETS	SHEET NO.
785	134-1BR-2	MADISON	56	48
STA.		TO STA.		
FED. ROAD DIST. NO.		ILLINOIS FED. AID PROJECT		



TYPE D INLET BOX

REQUIRED MATERIAL			
BAR	QTY.	SIZE	LENGTH
U	8	NO. 4	8'-5"
U ₁	3	NO. 4	12'-2"
U ₃	4	NO. 4	10'-4"
CONCRETE		CU. YDS.	1.1
REINF. BARS		LBS.	97.0
GRATING		SQ. FT.	10.9

REVISIONS	
NAME	DATE

ILLINOIS DEPARTMENT OF TRANSPORTATION

TYPE D INLET BOX DETAIL
FAP ROUTE 785
SECTION 134-1BR-2
MADISON COUNTY
SN 060-0240

PLOT DATE = 8/21/2007
 FILE NAME = H:\2006\1\Technical\Production\Structural\SN 060-0240\InletBoxDetail.dwg
 USER = JLN
 USER NAME = JLN