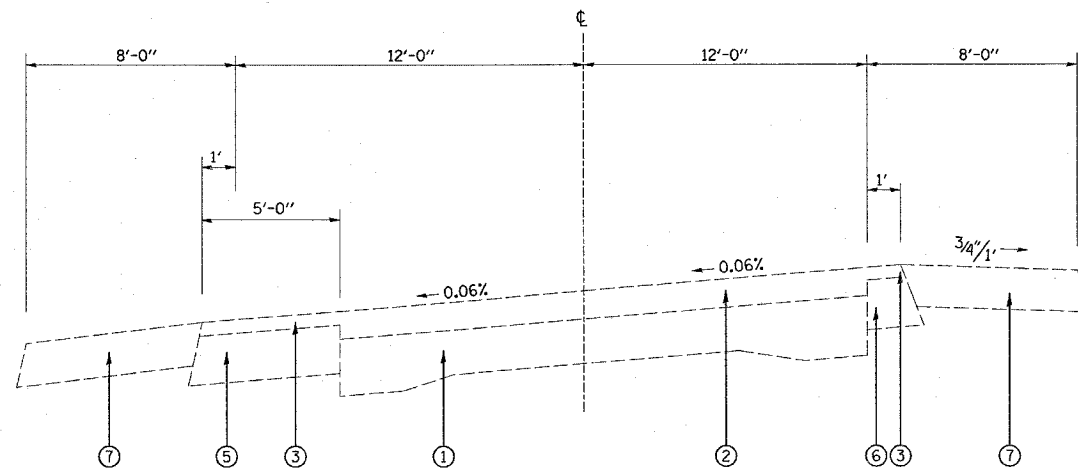
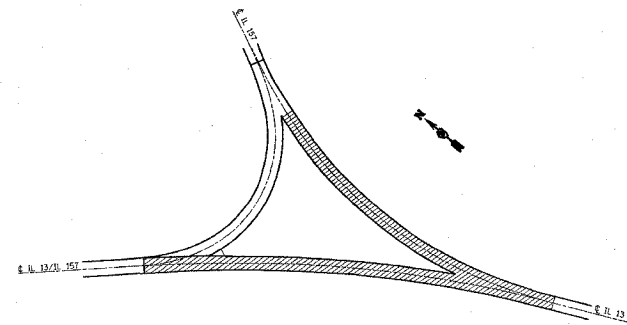


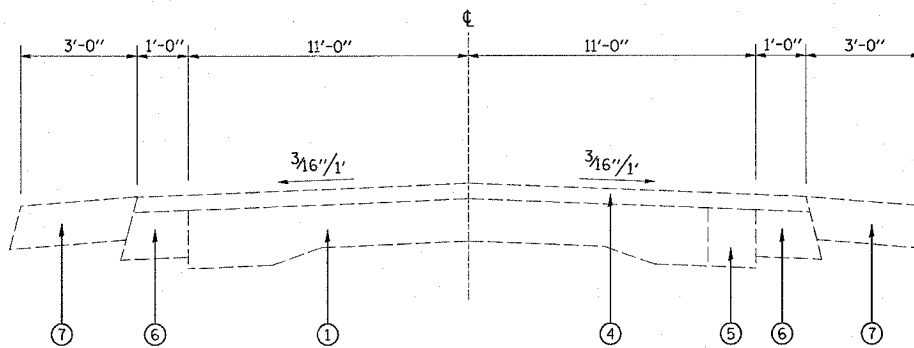
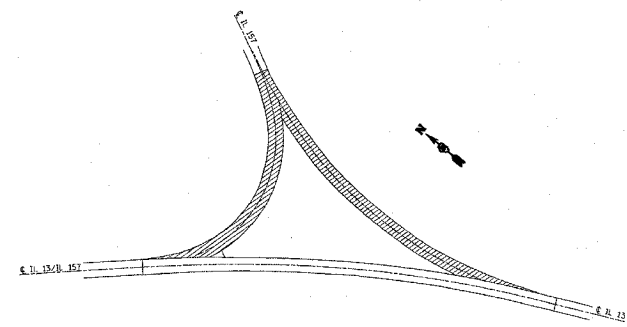
F.A.P. RTE.	SECTION	COUNTY	TOTAL SHEETS	SHEET NO.
*	120R-1	ST. CLAIR	74	5
STA. _____		TO STA. _____		
FED. ROAD DIST. NO. _____		ILLINOIS FED. AID PROJECT		

*FAP 592/FAU 9251



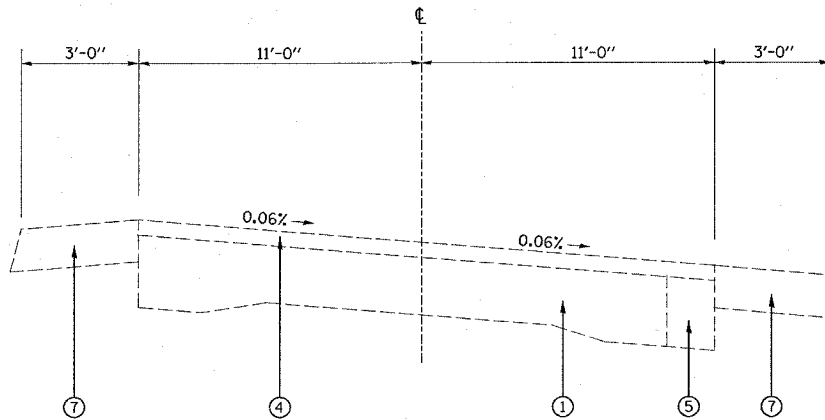
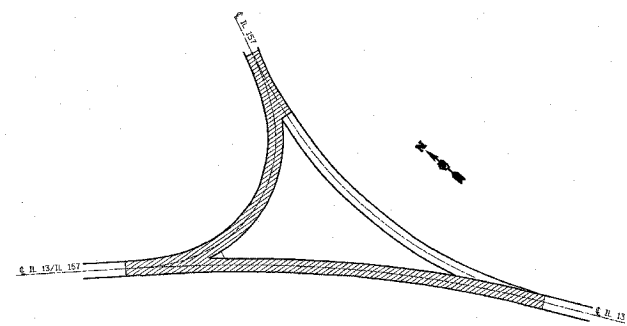
EXISTING TYPICAL IL 157

200+31.00 TO 205+78.50*



EXISTING TYPICAL IL 13

416+44.00 TO 423+98.50*



EXISTING TYPICAL IL 13

100+00.00 TO 106+91.00*

LEGEND

- ① EXISTING PAVEMENT (9"-7"-9")
- ② EXISTING BITUMINOUS RESURFACING 5"±
- ③ EXISTING BITUMINOUS RESURFACING 2"±
- ④ EXISTING BITUMINOUS RESURFACING 2 1/4"±
- ⑤ EXISTING BASE COURSE WIDENING 9"
- ⑥ EXISTING BITUMINOUS SHOULDER 6"
- ⑦ EXISTING AGGREGATE SHOULDERS

PLOT DATE = 3/22/2007
 PLOT SCALE = 48.0000 / IN.
 REFERENCE = #REF#

*STATIONING FROM EXISTING ALIGNMENT

REVISIONS		ILLINOIS DEPARTMENT OF TRANSPORTATION TYPICAL SECTIONS
NAME	DATE	
		FAP ROUTE 592/FAU 9251 SECTION 120R-1 ST. CLAIR COUNTY

SCALE: VERT. _____
 HORIZ. _____
 DATE _____ DRAWN BY _____
 CHECKED BY _____