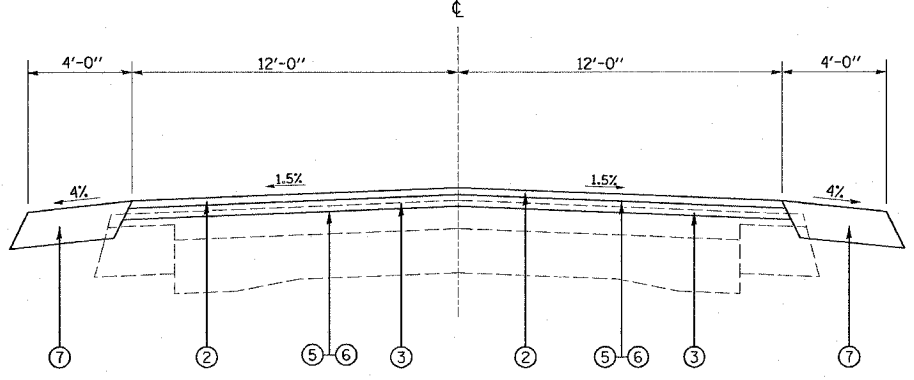
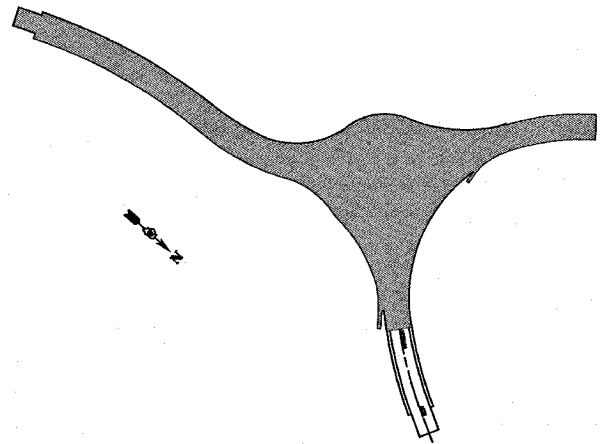
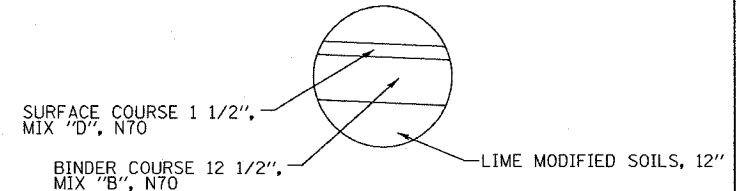


F.A.P. RTE.	SECTION	COUNTY	TOTAL SHEETS	SHEET NO.
•	120R-1	ST. CLAIR	74	7
STA. _____		TO STA. _____		
FED. ROAD DIST. NO. _____		ILLINOIS FED. AID PROJECT		
* FAP 592/FAU 9251				

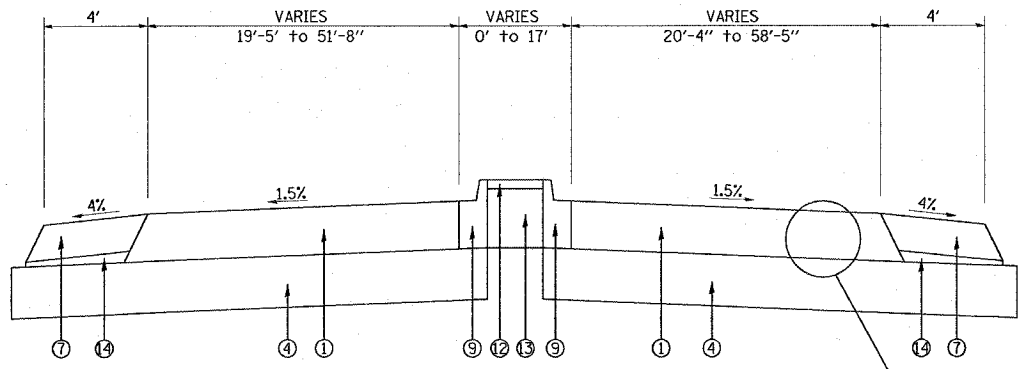
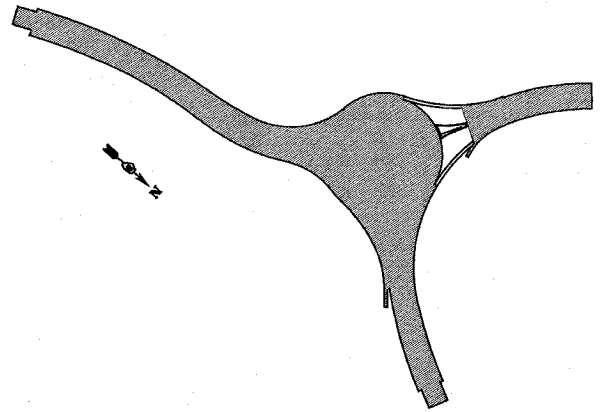


PROPOSED TYPICAL SECTION  
NORTH LEG  
1275+00.00 TO 1276+35.00



DETAIL A

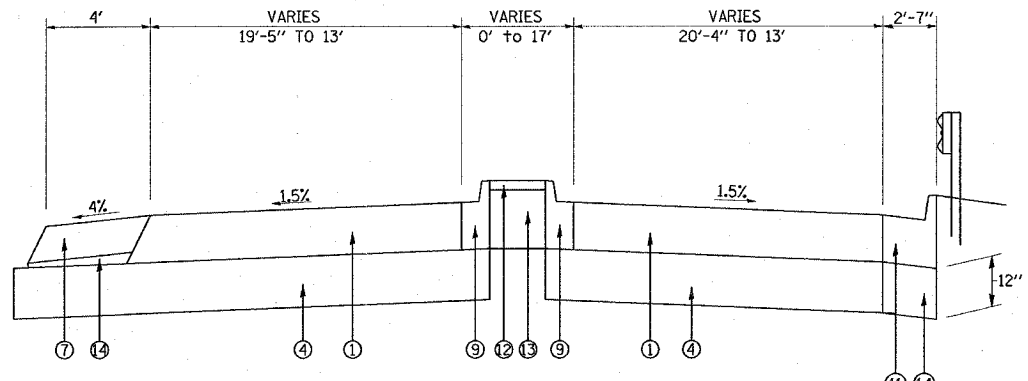
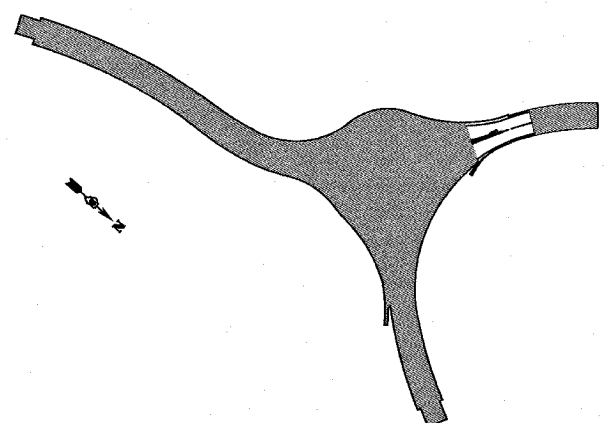
NOTE: THE FINAL 1 1/2" OF SURFACE WILL BE PLACED DURING STAGE III. IT WILL STILL BE PAID AS "FULL DEPTH", NO ADDITIONAL COMPENSATION WILL BE ALLOWED.



PROPOSED TYPICAL SECTION  
WEST LEG  
422+35.96 TO 422+75.00

STRUCTURAL DESIGN INFORMATION

ROAD CLASSIFICATION: CLASS II  
 STRUCTURAL DESIGN TRAFFIC:  
 PV=9,158 SU=317 MU=125  
 PERCENT OF STRUCTURAL DESIGN TRAFFIC IN DESIGN LANE:  
 P=50% S=50% M=50%  
 MINIMUM SUBGRADE SUPPORT RATING: POOR  
 FLEXIBLE PAVEMENT DESIGN: MINIMUM  $T_F = 3.81$   
 SELECTED DESIGN AC TYPE 20 SUPERPAVE PG 64-22  
 AC THICKNESS 14 INCHES



PROPOSED TYPICAL SECTION  
WEST LEG  
422+75.00 TO 423+50.00

\* COARSE AGGREGATE UNDER MEDIAN SURFACE SHALL BE INCLUDED IN COST OF CONCRETE MEDIAN SURFACE, 4"

LEGEND

- ① PROPOSED HOT-MIX ASPHALT PAVEMENT (FULL DEPTH) 14"
- ② PROPOSED HOT-MIX ASPHALT SURFACE COURSE 1 1/2"
- ③ PROPOSED HOT-MIX ASPHALT BINDER COURSE (DEPTH VARIES)
- ④ PROPOSED LIME MODIFIED SOILS, 12"
- ⑤ PROPOSED BITUMINOUS PRIME COAT
- ⑥ PROPOSED AGGREGATE PRIME COAT
- ⑦ PROPOSED HOT-MIX ASPHALT SHOULDERS 8"
- ⑧ PROPOSED CONCRETE GUTTER, TYPE A
- ⑨ PROPOSED COMBINATION CONCRETE CURB AND GUTTER, TYPE B-9.06
- ⑩ PROPOSED COMBINATION CONCRETE CURB AND GUTTER, TYPE B-9.24
- ⑪ PROPOSED COMBINATION CONCRETE CURB AND GUTTER, TYPE B-6.12
- ⑫ PROPOSED CONCRETE MEDIAN SURFACE, 4"
- ⑬ PROPOSED COARSE AGGREGATE\*
- ⑭ PROPOSED SUBBASE GRANULAR MATERIAL, TYPE C

REVISIONS		ILLINOIS DEPARTMENT OF TRANSPORTATION
NAME	DATE	
		<p><b>TYPICAL SECTIONS</b></p> <p>FAP ROUTE 592/FAU 9251</p> <p>SECTION 120R-1</p> <p>ST. CLAIR COUNTY</p> <p>SCALE: VERT. _____</p> <p>HORIZ. _____</p> <p>DATE _____</p> <p>DRAWN BY _____</p> <p>CHECKED BY _____</p>

PLOT DATE = 4/6/2007  
 PLOT SCALE = 1/8" = 1'-0"  
 PLOT REFERENCE = #REF#